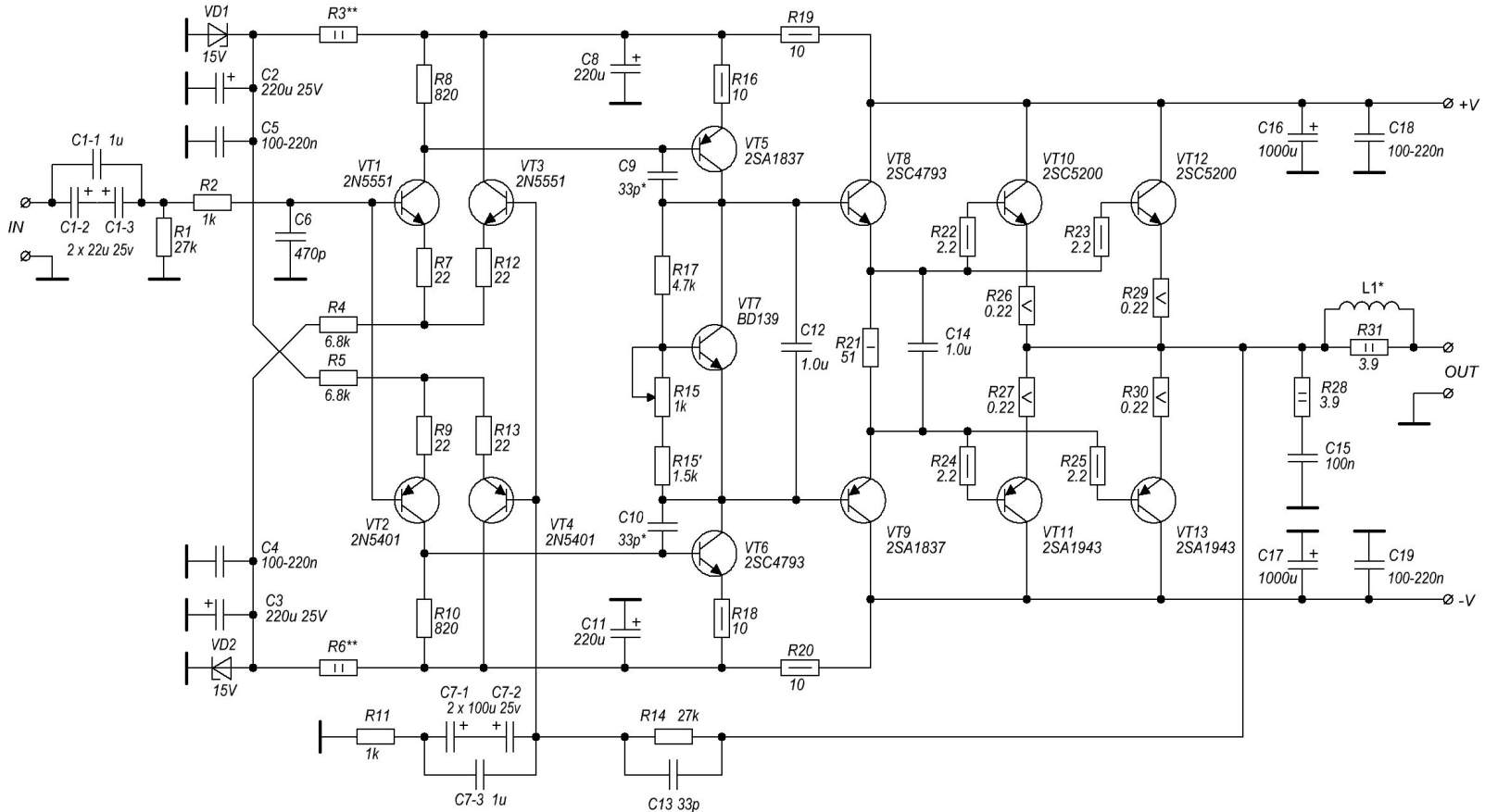


# DOCUMENTATIE AMPLIFICATOR LANZAR V3.1

## SCHEMA AMPLIFICATOR





## LISTA COMPONENTE AMPLIFICATOR LANZAR - 1 canal

Valoare	ID	Cantitate	Model TME	Producator
2N5551	VT1, VT3	2	2N5551-CDI	CDI
2N5401	VT2, VT4	2	2N5401-DIO	DIO
2SA1837	VT5, VT9	2	NA	NA
2SC4793	VT6, VT8	2	NA	NA
BD139	VT7	1	BD139-CDI	CDI
2SA1943	VT11, VT13	2	2SA1943-O-Q-	TOSHIBA
2SC5200	VT10, VT12	2	2SC5200	TOSHIBA
BZX55C15	VD1, VD2	2	BZX55C15	DC COMPONENTS
27K/0.6W	R1, R14	2	MRS25000C2402FCT00	VISHAY
1K/0.6W	R2, R11	2	MBB02070C1001FCT00	VISHAY
6K8/0.6W	R4, R5	2	MBB02070C6801FCT00	VISHAY
22/0.6W	R7, R9, R12, R13	4	MRS25000C2209FCT00	VISHAY
820/0.6W	R8, R10	2	MBB02070C8200FCT00	VISHAY
1.5K/0.6W	R15	1	MBB02070C1501FCT00	VISHAY
4.7K/0.6W	R17	1	MBB02070C4701FCT00	VISHAY
2.7K/2W	R3, R6	2	PR02-2K7	VISHAY
10/2W	R16, R18, R19, R20	4	PMR2S-10R	ROYAL OHM
51/2W	R21	1	PMR2S-51R	ROYAL OHM
2.2/2W	R22, R23, R24, R25	4	PR02-2R2	VISHAY
0.22/5W	R26, R27, R29, R30	4	AX5W-0R22	ROYAL OHM
3.9/2W	R28	1	PMR2S-3R9	ROYAL OHM
1K/semireglabil	R15	1	3296W-1-102LF	BOURNS
22uF/25V	C1-2, C1-3	2	ECEA1EKA220	PANASONIC
100uF/25V	C7-1, C7-2	2	ULD1E101MED	NICHICON
220uF/25V	C2, C3	2	UKL1E221MPD1TD	NICHICON
220uF/63V	C8, C11	2	UEP1J221MHD	NICHICON
1000uF/63V	C16, C17	2	UPW1J102MHD	NICHICON
470pF/NPO	C6	1	JYC3A471KBB065000B	JB CAPACITORS
33pF/100V	C9, C10, C13	3	C317C330J1G5TA	KEMET
1uF/63V MKP	C1-1, C7-3, C12, C14	4	B32521C0105J000	EPCOS
0.22uF/100V	C5, C4, C18, C19	4	R66ED3220AA7AK	KEMET
0.1uF/250V	C15	1	B32520C3104J289	EPCOS

# CABLAJ AMPLIFICATOR SCARA 1:1

