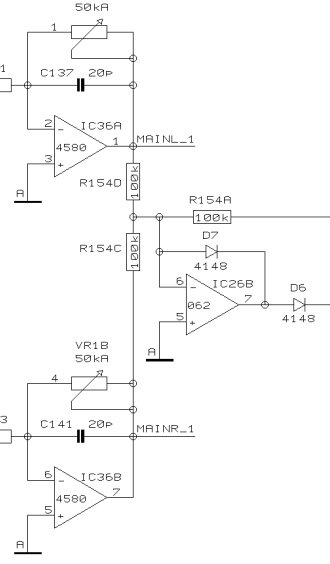
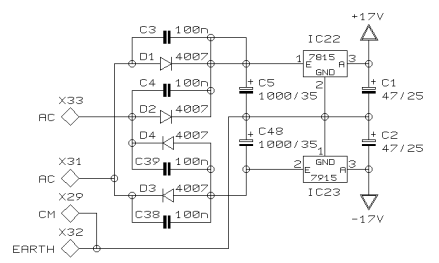
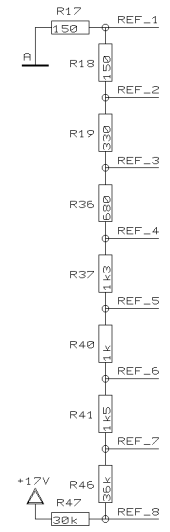
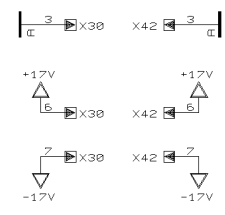
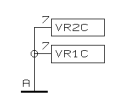
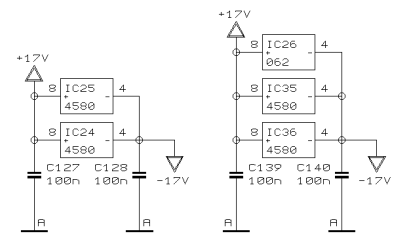
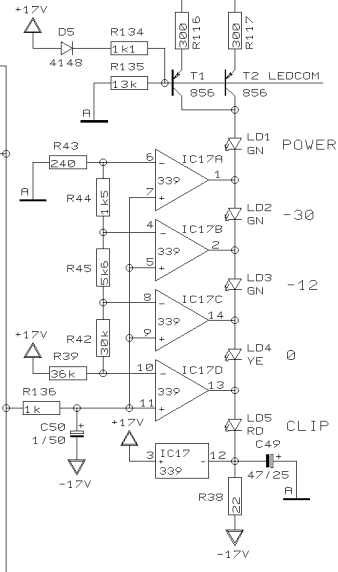
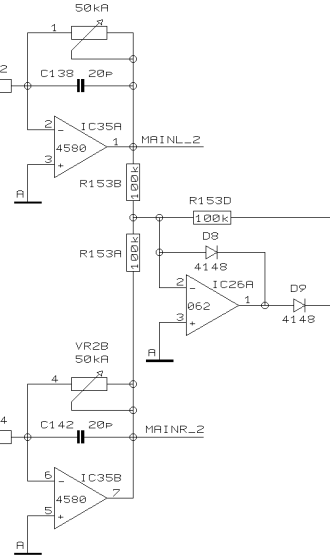


MAIN LEVEL_1



MAIN LEVEL_2

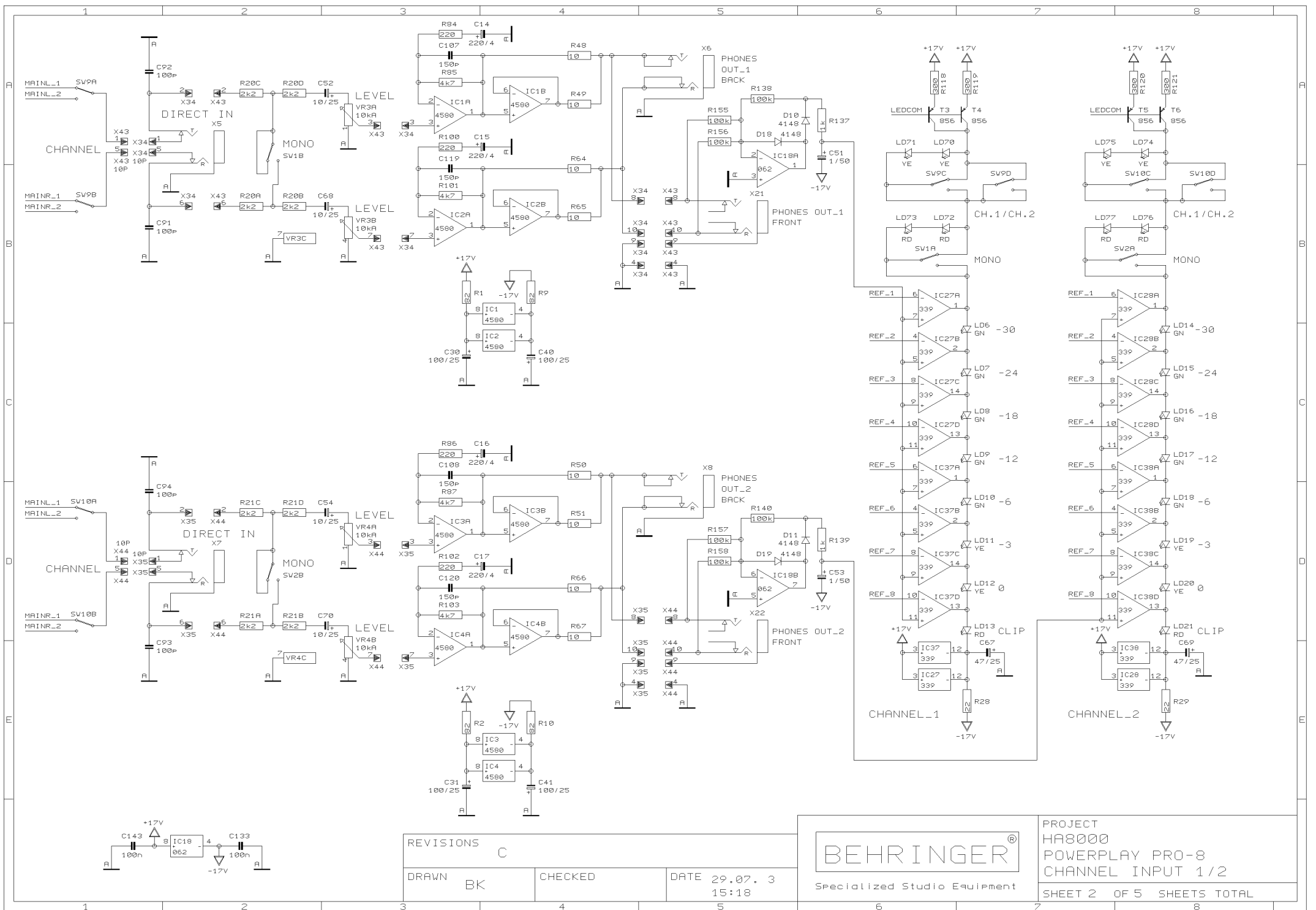


REVISIONS C (30/01/03)

DRAWN BK CHECKED DATE 29.07. 3 15:18



PROJECT H8000 POWERPLAY PRO-8 MAIN SECTION & PSU SHEET 1 OF 5 SHEETS TOTAL



REVISIONS

C

DRAWN

BK

CHECKED

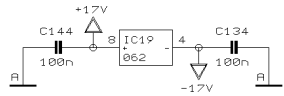
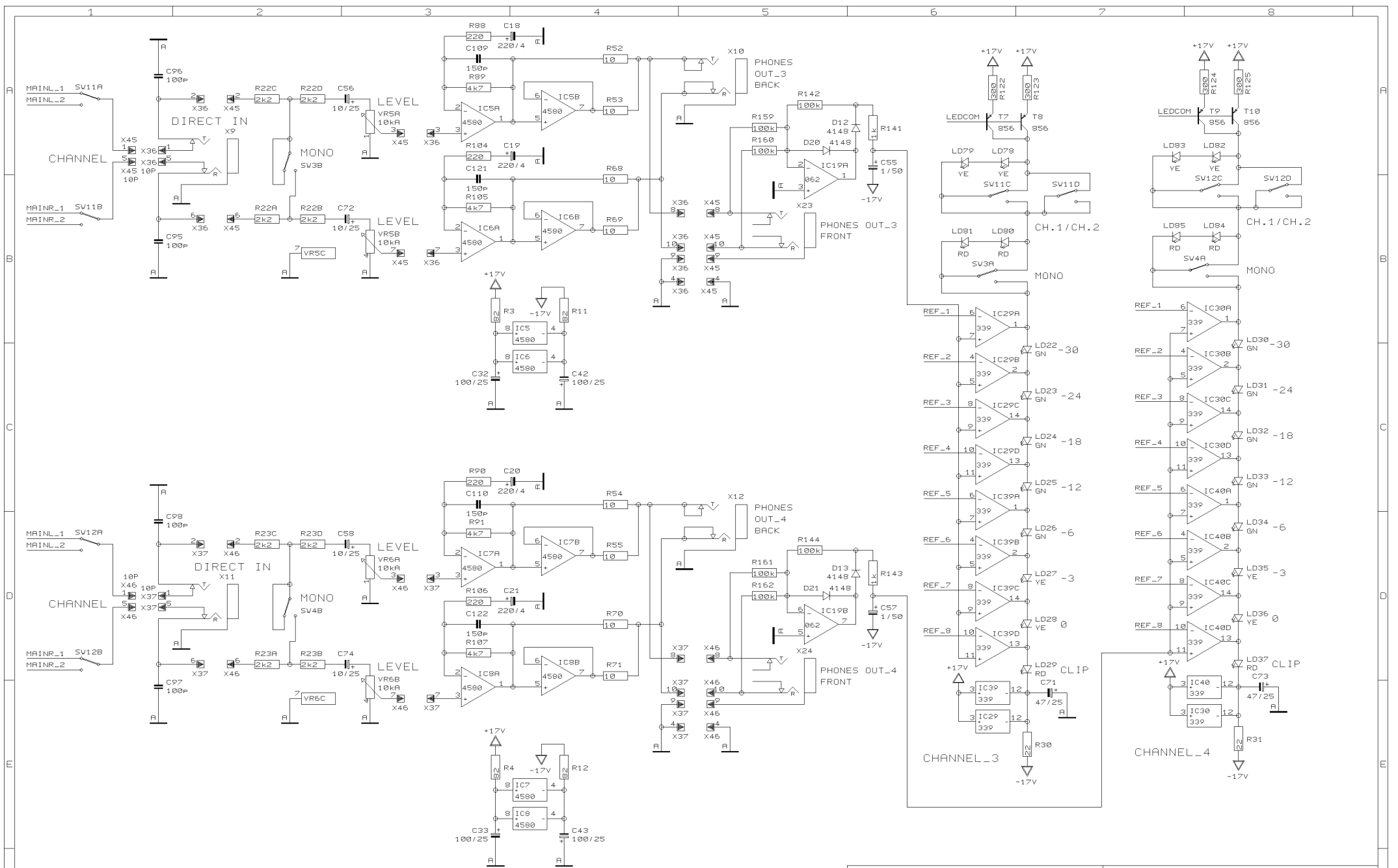
DATE 29.07. 3
15:18

BEHRINGER®

Specialized Studio Equipment

PROJECT
H48000
POWERPLAY PRO-8
CHANNEL INPUT 1/2

SHEET 2 OF 5 SHEETS TOTAL



REVISIONS

C

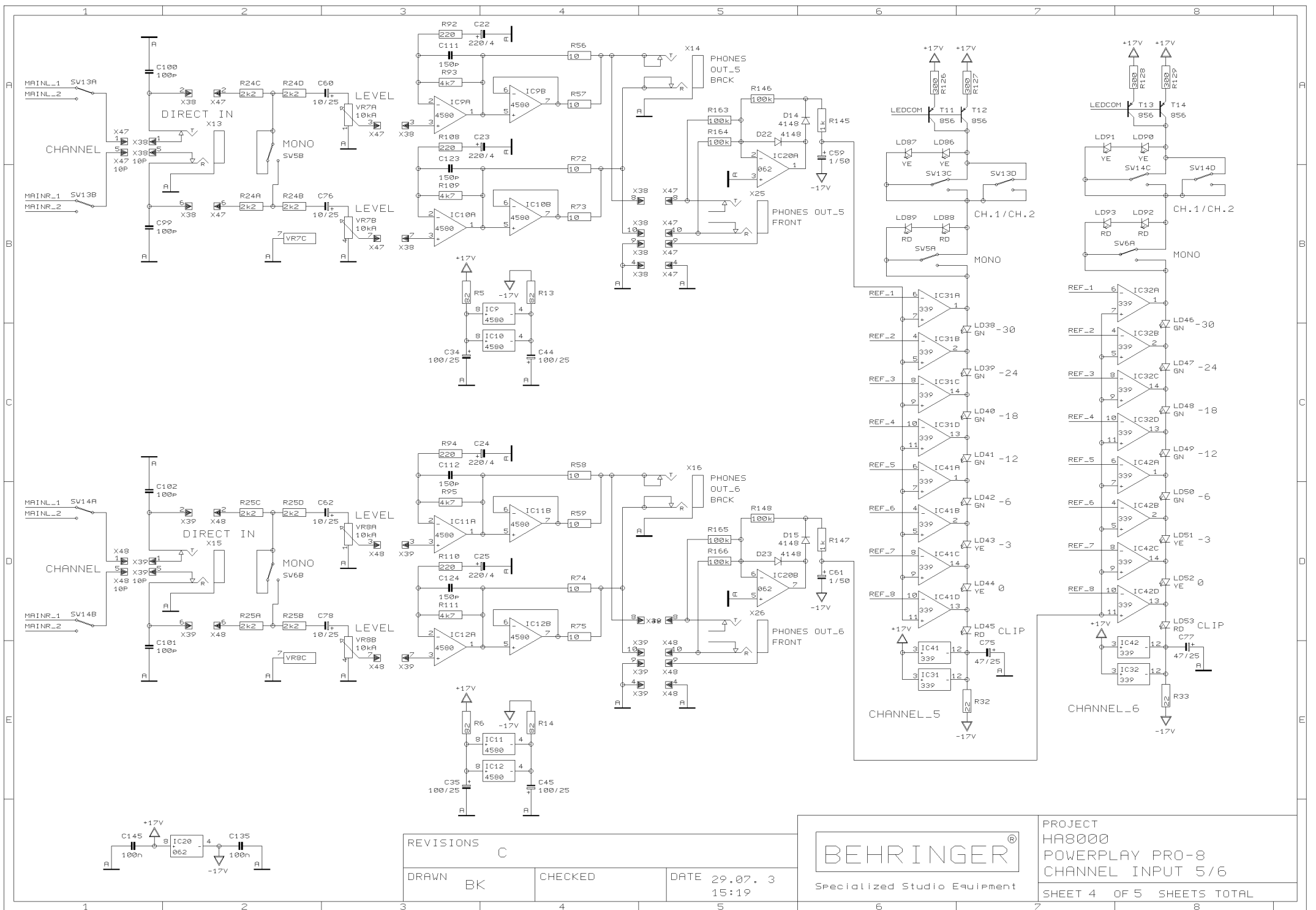
DRAWN BK

CHECKED

DATE 29.07. 3
15:19



PROJECT
H8000
POWERPLAY PRO-8
CHANNEL INPUT 3/4
SHEET 3 OF 5 SHEETS TOTAL



REVISIONS

C

DRAWN

BK

CHECKED

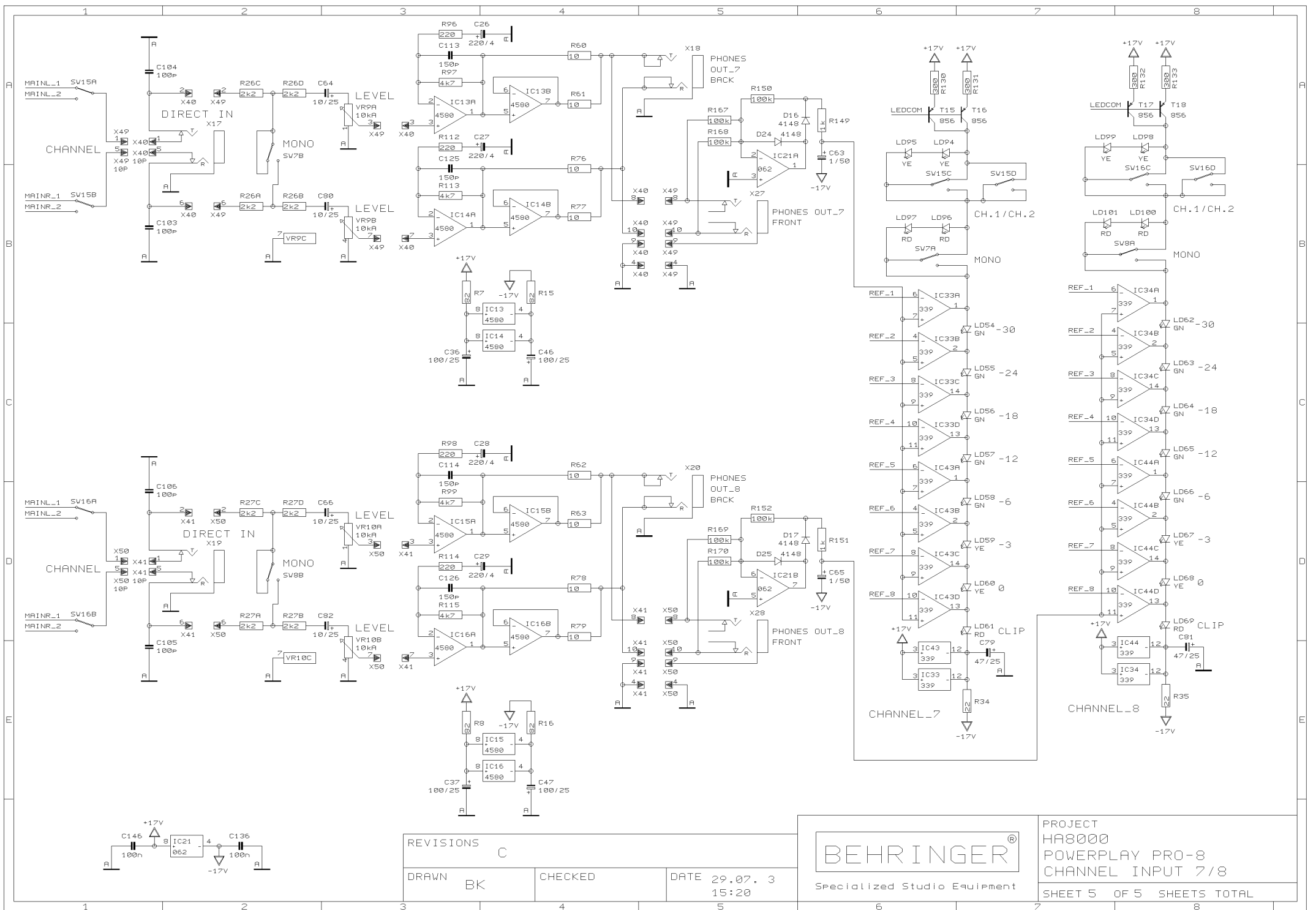
DATE 29.07. 3
15:19



Specialized Studio Equipment

PROJECT
H48000
POWERPLAY PRO-8
CHANNEL INPUT 5/6

SHEET 4 OF 5 SHEETS TOTAL



REVISIONS

DRAWN BK

CHECKED

DATE 29.07. 3
15:20



Specialized Studio Equipment

PROJECT
H48000
POWERPLAY PRO-8
CHANNEL INPUT 7/8
SHEET 5 OF 5 SHEETS TOTAL