



# Service Manual

Created: 13 January 2015



## X32

**40-Input, 25-Bus Digital Mixing Console with 32 Programmable MIDAS Preamps, 25 Motorized Faders, Channel LCD's, 32-Channel Audio Interface and iPad/iPhone\* Remote Control**

Specifications .....	2
PCB Schematic .....	3
Parts List .....	74
Exploded Drawing .....	99

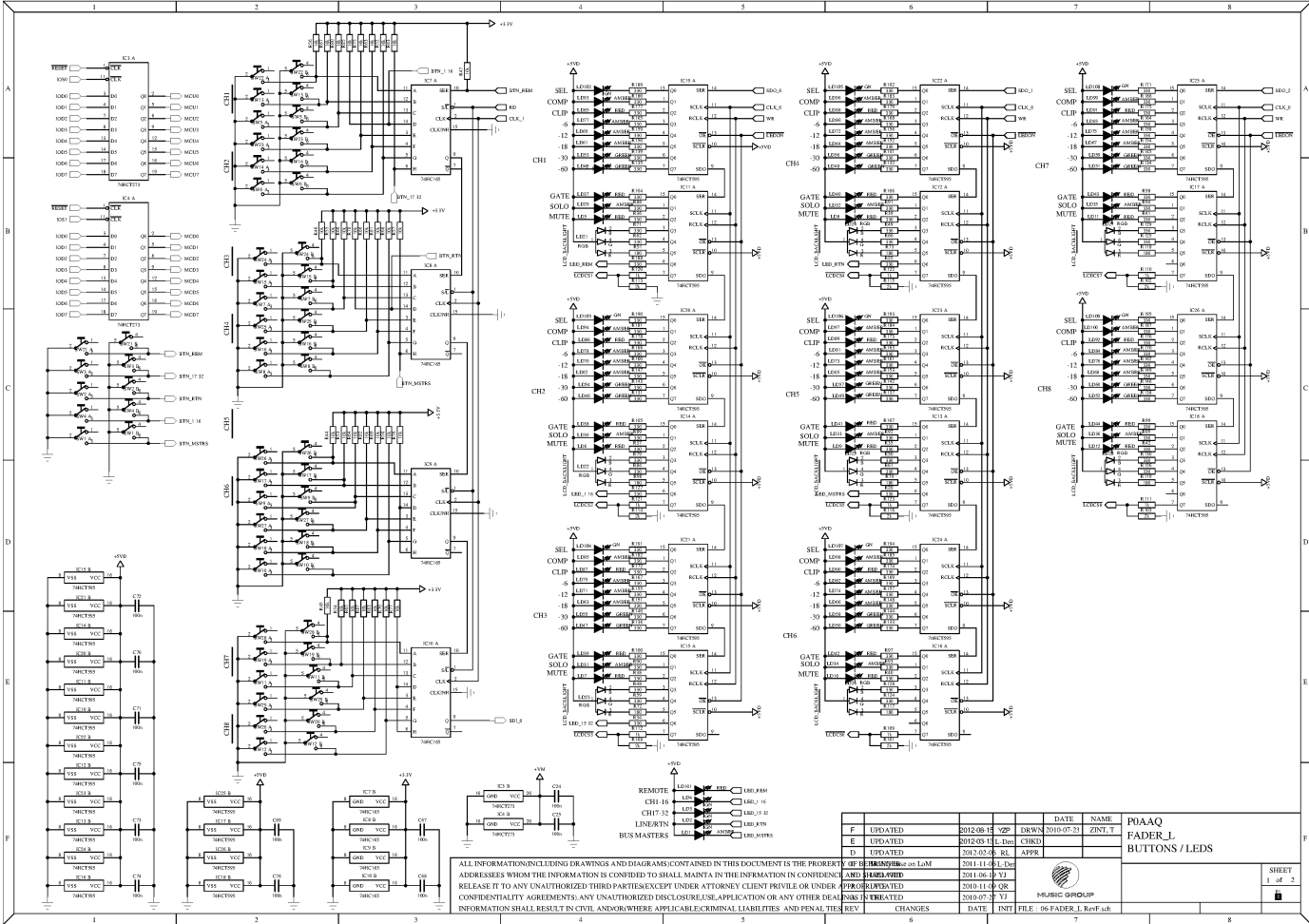
behringer.com



© 2015 MUSIC Group IP Ltd. All third party trademarks mentioned belong to their respective owners and are not affiliated with MUSIC Group IP Ltd. All information (including drawings and diagrams) contained in this document is the property of MUSIC Group IP Ltd., its subsidiaries or content providers, and is protected by intellectual property (copyright, trademark, patents, etc) laws, international treaty provisions and other laws. Any unauthorized disclosure, use, application, reproduction, modification, lease, sale, transmission or any other dealings in the information may violate applicable laws and result in civil and/or (where applicable) criminal liabilities and penalties.

# X32

## Specifications

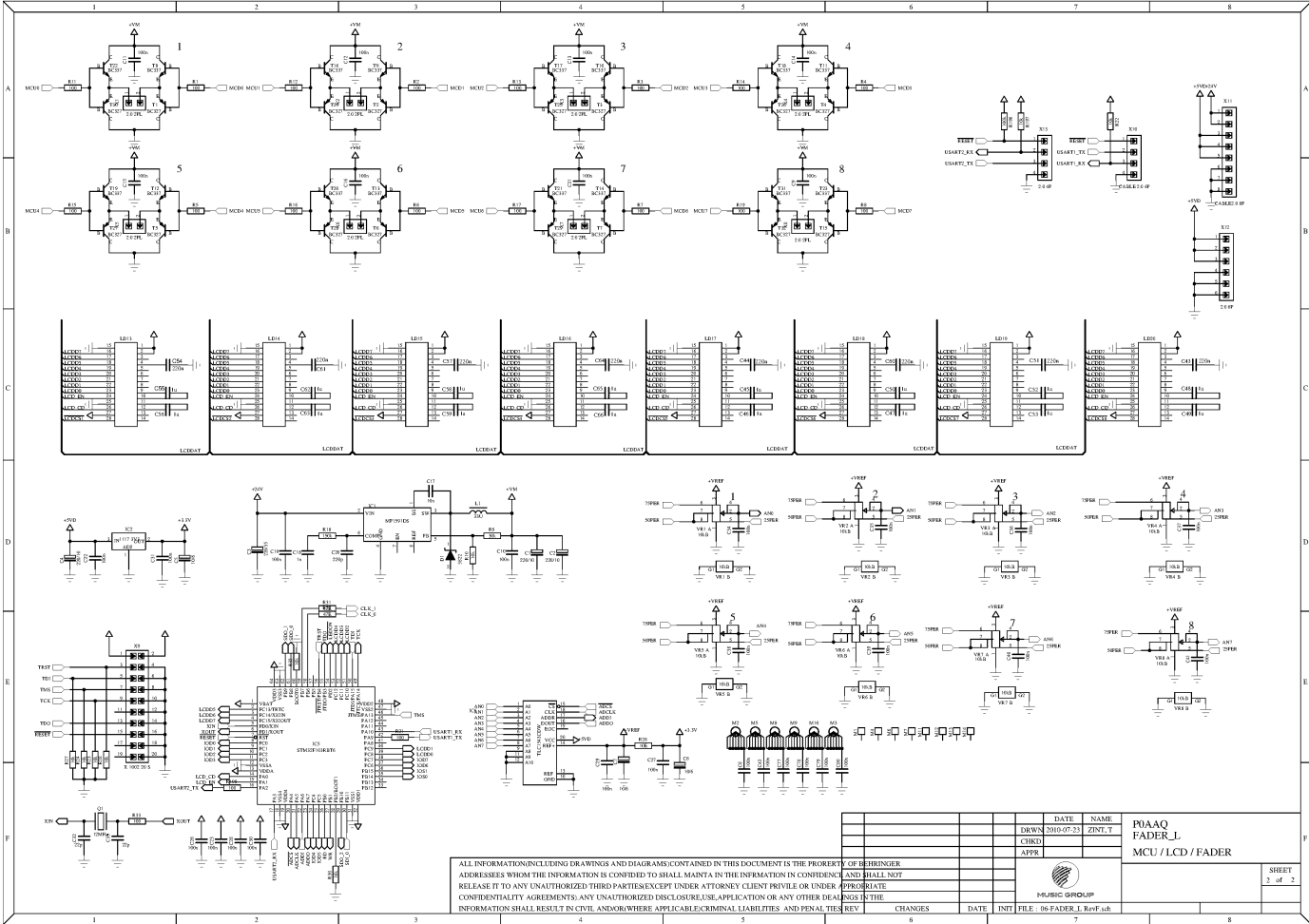


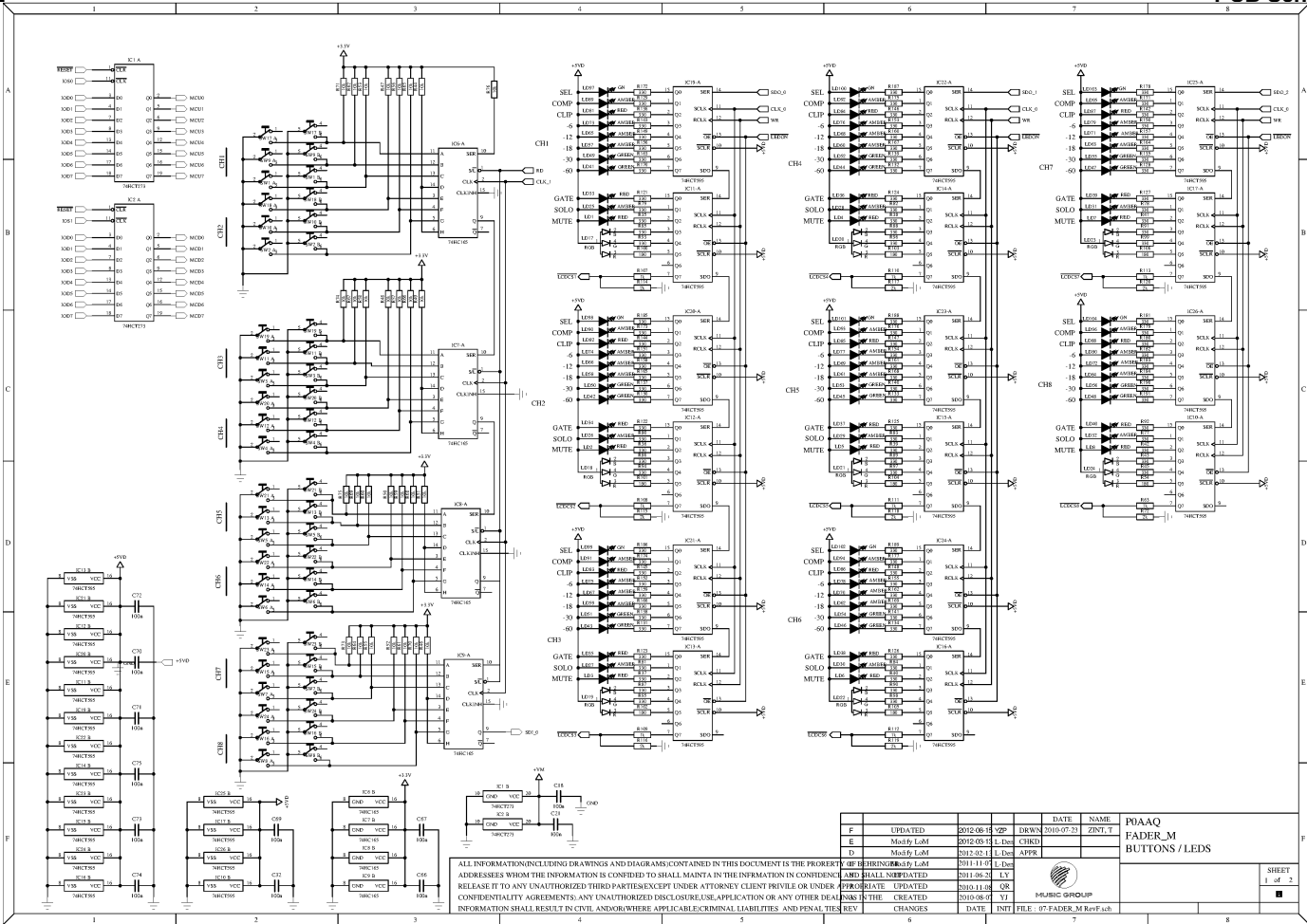
ALL INFORMATION (INCLUDING DRAWINGS AND DIAGRAMS) CONTAINED IN THIS DOCUMENT IS THE PROPERTY OF BEHRINGER AND IS TO BE KEPT IN CONFIDENCE. IT IS TO BE RELEASED TO ANY UNAUTHORIZED THIRD PARTY EXCEPT UNDER ATTORNEY CLIENT PRIVILEGE OR UNDER CONFIDENTIALITY AGREEMENTS. ANY UNAUTHORIZED DISCLOSURE, APPLICATION OR ANY OTHER REAL OR IMAGINARY INFORMATION SHALL RESULT IN CIVIL AND/OR WHERE APPLICABLE CRIMINAL LIABILITIES AND PENAL REVISIONS.

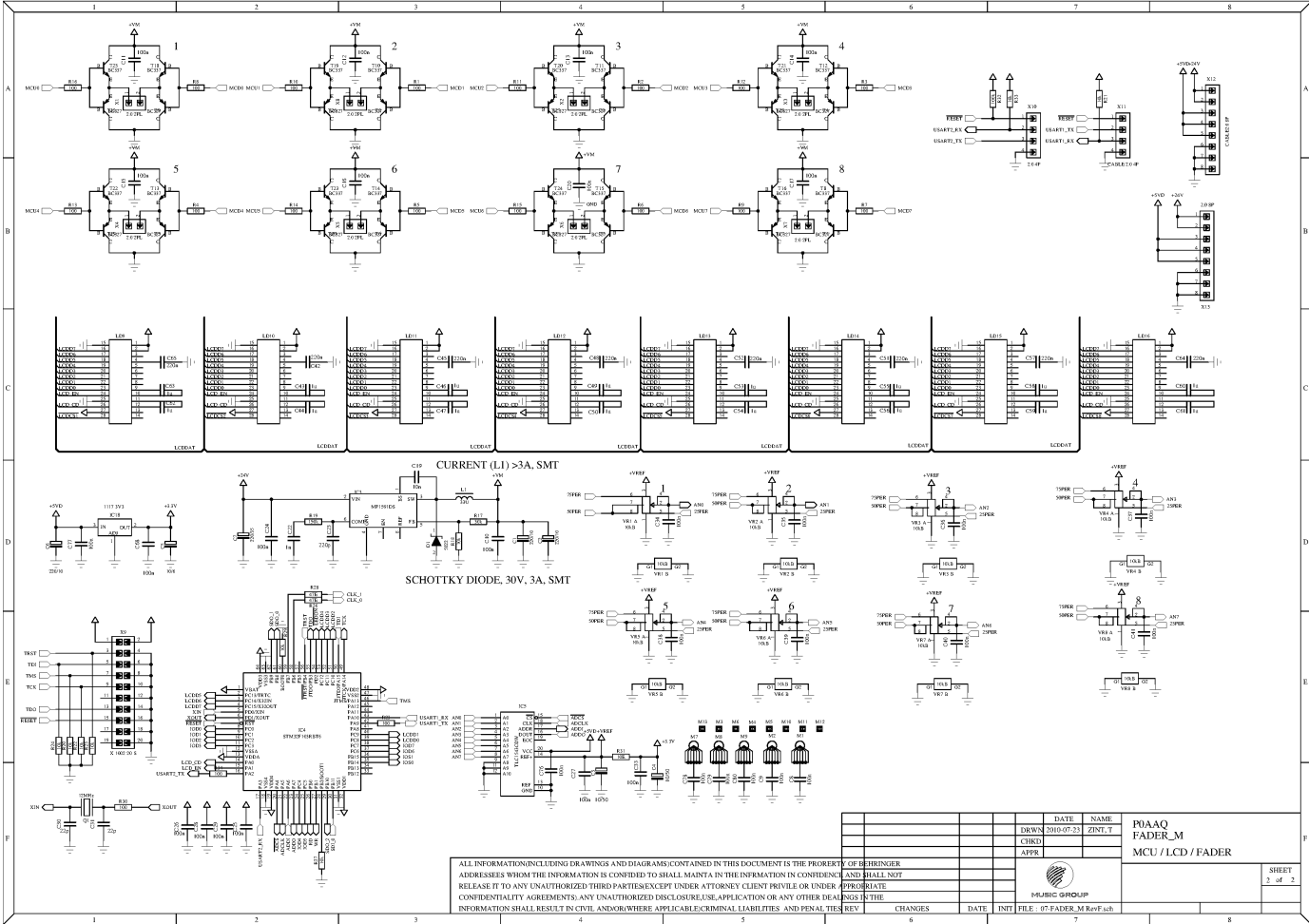
REV	DESCRIPTION	DATE	BY	APPR	DATE	NAME	PROJECT
F	UPDATED	2012-08-15	ZINT	DRWN	2010-07-23	ZINT, Y	POAAQ
E	UPDATED	2012-08-15	ZINT	CHKD			FADER, L
D	UPDATED	2012-02-06	REL	APPR			BUTTONS / LEADS
C	REDESIGNED	2011-11-08	DRN				
B	DESIGNED	2011-06-17	DRN				
A	PROPOSED	2010-11-08	DRN				
	AS CREATED	2010-07-23	Y				

CHANGES DATE INTI FILE: 06-FADER, L Rev: 04

SHEET  
1 of 2



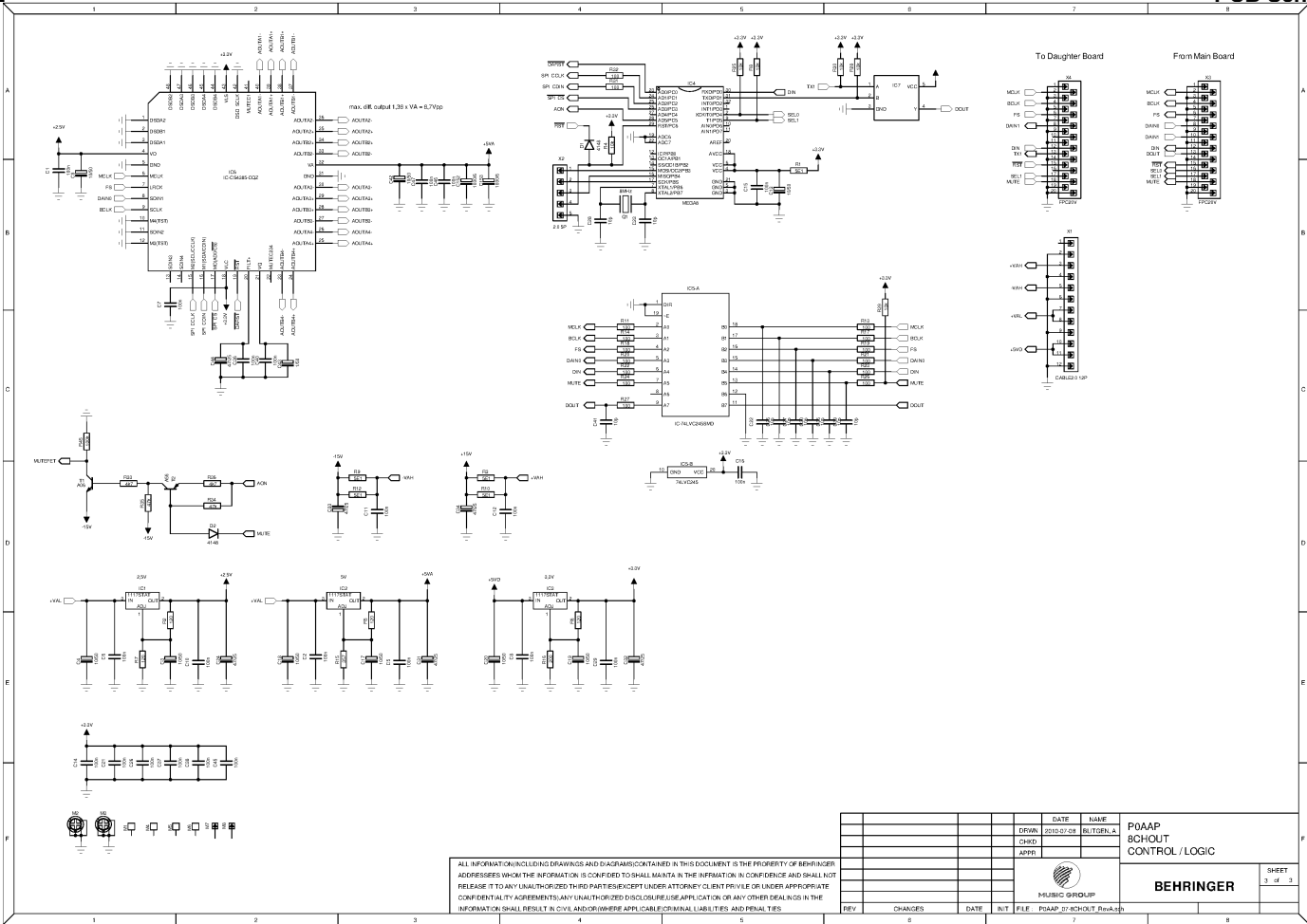




ALL INFORMATION (INCLUDING DRAWINGS AND DIAGRAMS) CONTAINED IN THIS DOCUMENT IS THE PROPERTY OF BEHRINGER. ADDRESSES WHOM THE INFORMATION IS CONFIDED TO SHALL MAINTAIN THE INFORMATION IN CONFIDENCE AND SHALL NOT RELEASE IT TO ANY UNAUTHORIZED THIRD PARTY EXCEPT UNDER ATTORNEY CLIENT PRIVILEGE OR UNDER AN APPLICABLE CONFIDENTIALITY AGREEMENT. ANY UNAUTHORIZED DISCLOSURE, USE, APPLICATION OR ANY OTHER DEALINGS IN THE INFORMATION SHALL RESULT IN CIVIL AND/OR WHERE APPLICABLE CRIMINAL LIABILITIES AND PENAL TIES. REV

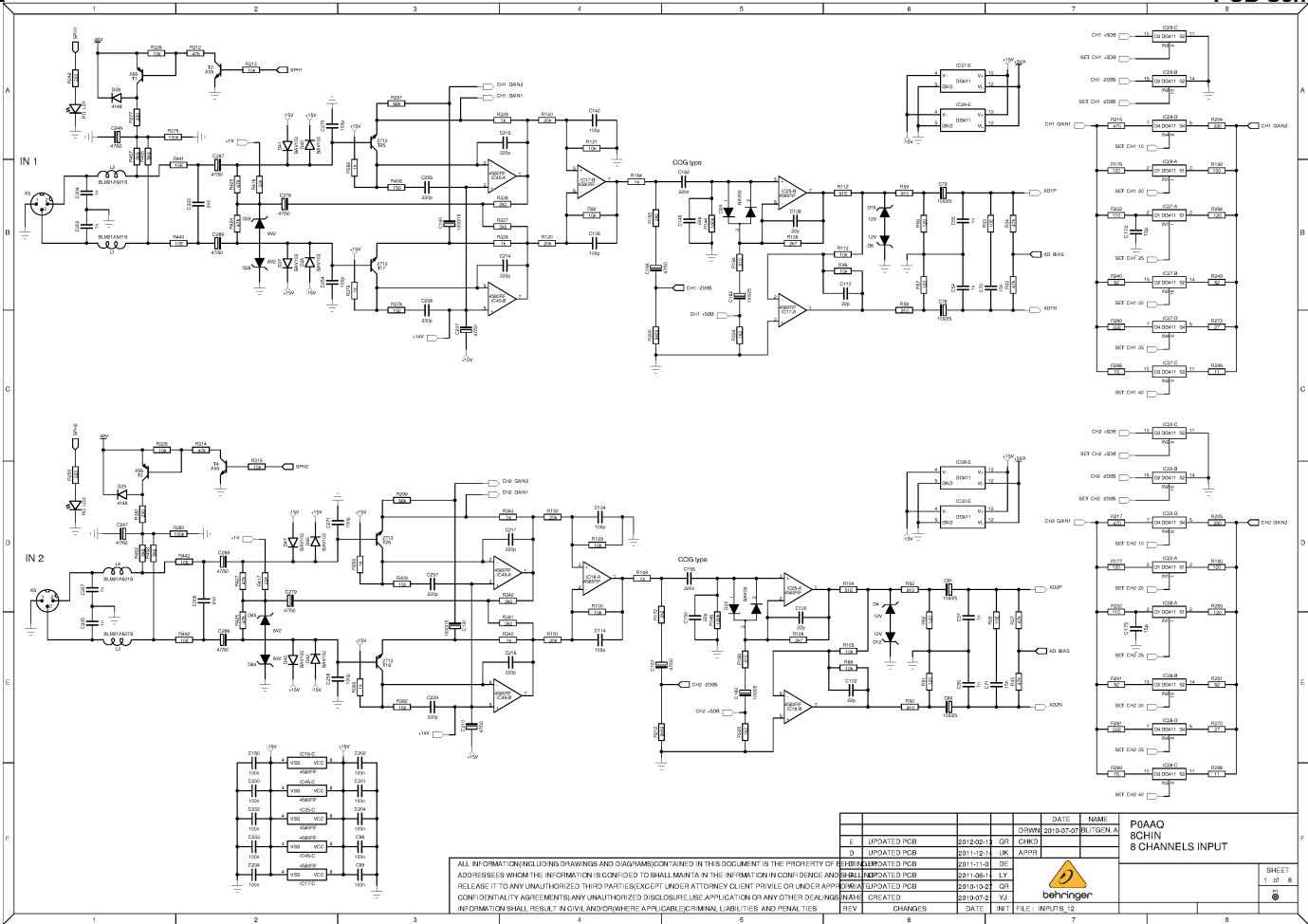


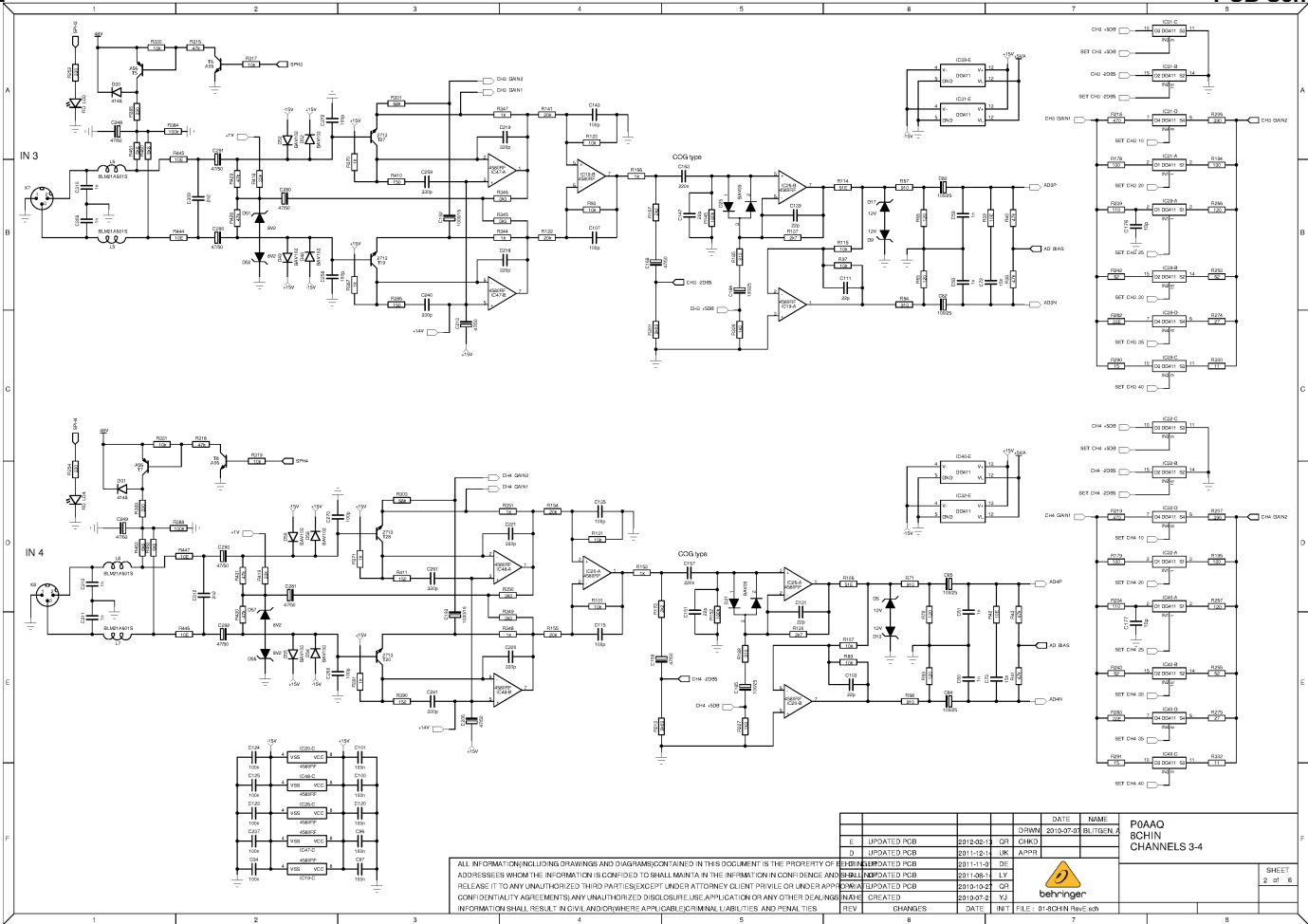




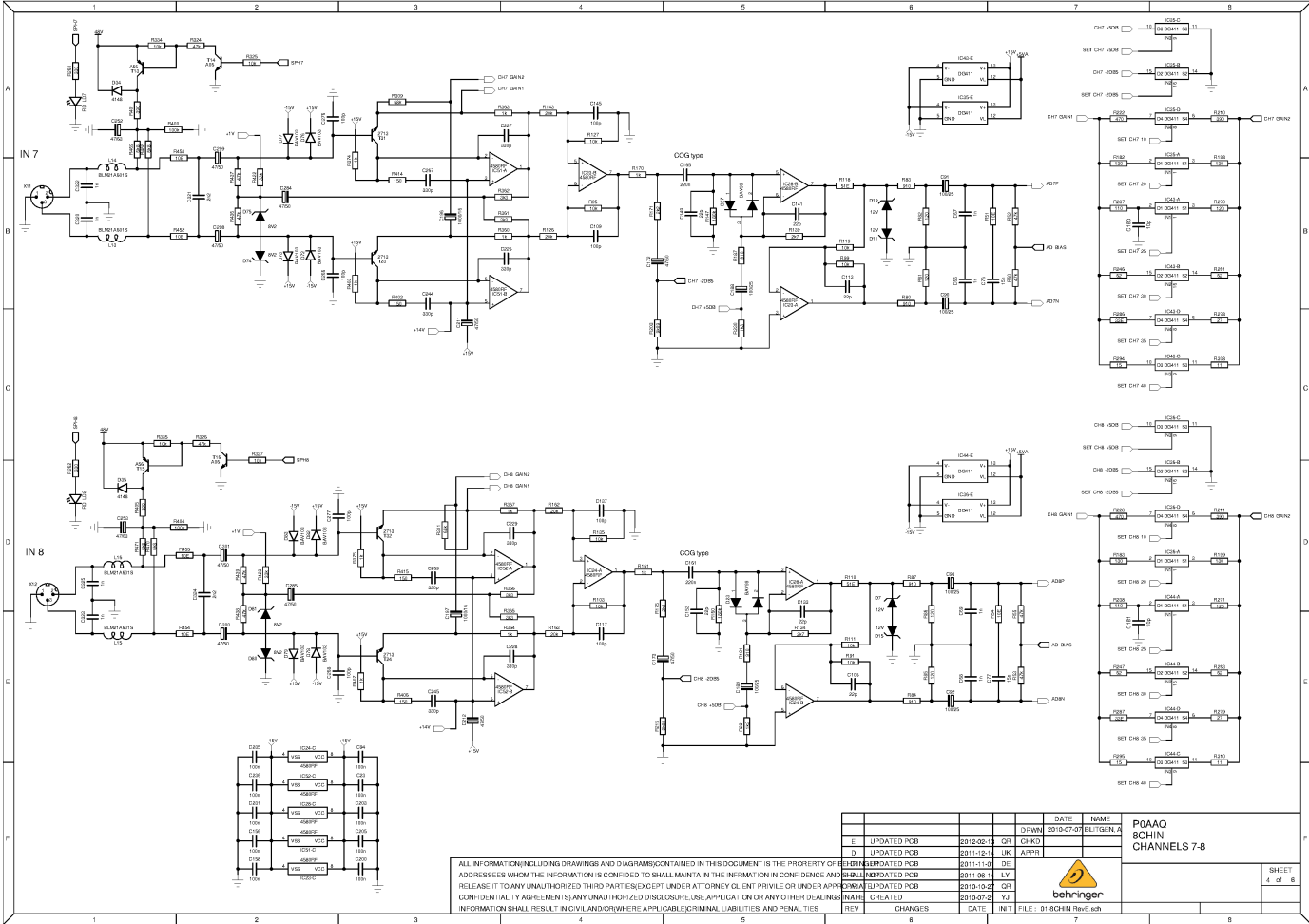
ALL INFORMATION (INCLUDING DRAWINGS AND DIAGRAMS) CONTAINED IN THIS DOCUMENT IS THE PROPERTY OF BEHRINGER. ADDRESSEES WHOM THE INFORMATION IS COMPILED TO SHALL MAINTAIN THE INFORMATION IN CONFIDENCE AND SHALL NOT RELEASE IT TO ANY UNAUTHORIZED THIRD PARTY WITHOUT THE WRITTEN PERMISSION OF BEHRINGER. BEHRINGER'S CONFIDENTIALITY AGREEMENTS, ANY UNAUTHORIZED DISCLOSURE, USE, APPLICATION, OR ANY OTHER DEALINGS IN THE INFORMATION SHALL RESULT IN CIVIL AND/OR OTHERWISE APPLICABLE PENALTIES, DAMAGES, AND PENALTY FEES.

DATE	NAME	POAAP 8CHOUT CONTROL / LOGIC	 <b>BEHRINGER</b>	SHEET 3 of 3	
DESN	2010/07/28				BLUTGEN, A
CHKD					
APPD					
REV	CHANGES	DATE	INT	FILE	POAAP 07/8CHOUT Rvw-hh



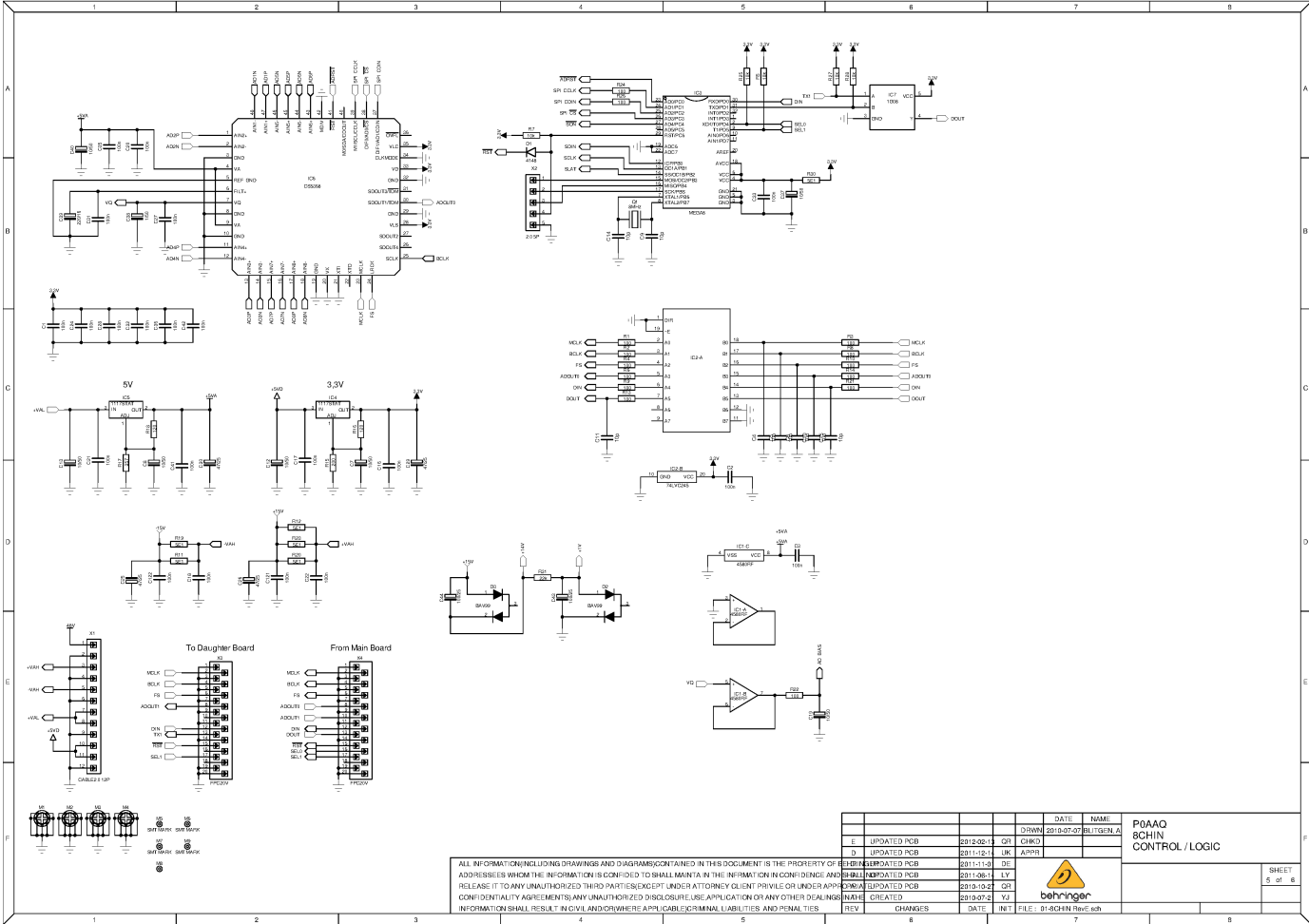






ALL INFORMATION INCLUDING DRAWINGS AND DIAGRAMS CONTAINED IN THIS DOCUMENT IS THE PROPERTY OF BEHRINGER. IT IS TO BE KEPT CONFIDENTIAL AND NOT TO BE RELEASED TO ANY UNAUTHORIZED THIRD PARTY WITHOUT THE WRITTEN PERMISSION OF BEHRINGER. ANY UNAUTHORIZED DISCLOSURE, USE, APPLICATION OR ANY OTHER DEALINGS IN THIS INFORMATION SHALL RESULT IN CIVIL AND/OR WHERE APPLICABLE CRIMINAL LIABILITIES AND PENALTIES.		DATE	NAME	 <b>P0AAQ</b> <b>8CHIN</b> <b>CHANNELS 7-8</b>
REV	CHANGES	DATE	INT FILE	
E	UPDATED PCB	2012-02-15	OP CHKO	
D	UPDATED PCB	2011-12-17	UK ADSP	
C	UPDATED PCB	2011-11-03	DE	
B	UPDATED PCB	2011-06-17	LV	
A	CREATED	2010-07-21	VJ	


SHEET  
4 of 8



ALL INFORMATION INCLUDING DRAWINGS AND DIAGRAMS CONTAINED IN THIS DOCUMENT IS THE PROPERTY OF BEHRINGER. IT IS TO BE KEPT CONFIDENTIAL AND NOT TO BE DISCLOSED TO ANY OTHER PARTY WITHOUT THE WRITTEN PERMISSION OF BEHRINGER. BEHRINGER SHALL NOT BE LIABLE FOR ANY DAMAGES, INCLUDING CONSEQUENTIAL DAMAGES, ARISING FROM THE USE OF THIS DOCUMENT. BEHRINGER SHALL NOT BE LIABLE FOR ANY DAMAGES, INCLUDING CONSEQUENTIAL DAMAGES, ARISING FROM THE USE OF THIS DOCUMENT. BEHRINGER SHALL NOT BE LIABLE FOR ANY DAMAGES, INCLUDING CONSEQUENTIAL DAMAGES, ARISING FROM THE USE OF THIS DOCUMENT.

REV	CHANGES	DATE	INT	FILE	DATE	NAME
C	UPDATED PCB	2019-02-12	01	CHKO	2018-07-07	BUTZGEN, A
D	UPDATED PCB	2019-02-12	UK	ADSP		
E	UPDATED PCB	2019-02-12	DE			
F	UPDATED PCB	2019-02-12	LV			
G	UPDATED PCB	2019-02-12	CH			
H	CREATED	2019-07-22	YJ			

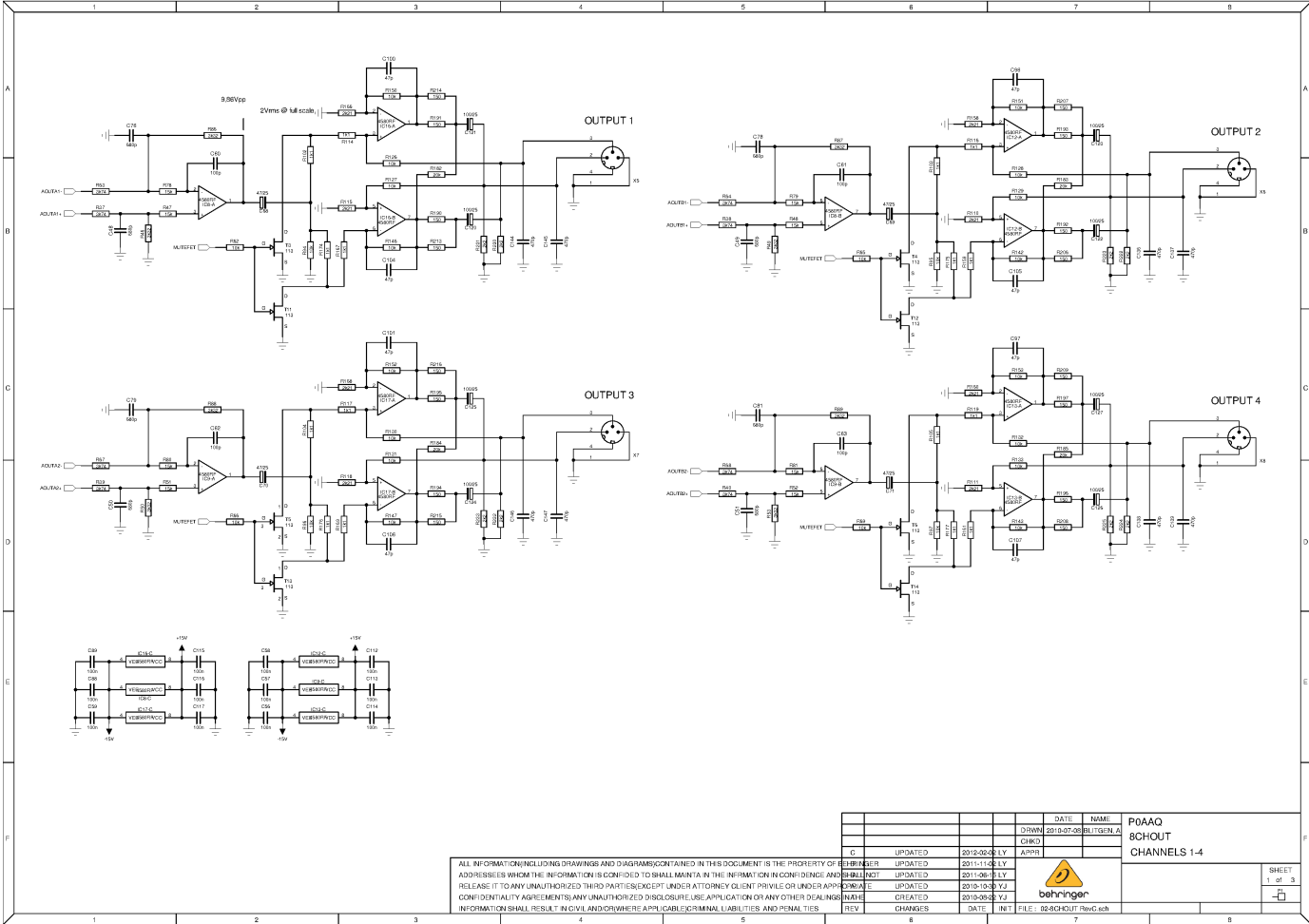
P0AAQ  
8CHIN  
CONTROL / LOGIC



FILE: 01-8CHIN Rev01.sch

SHEET  
5 of 8

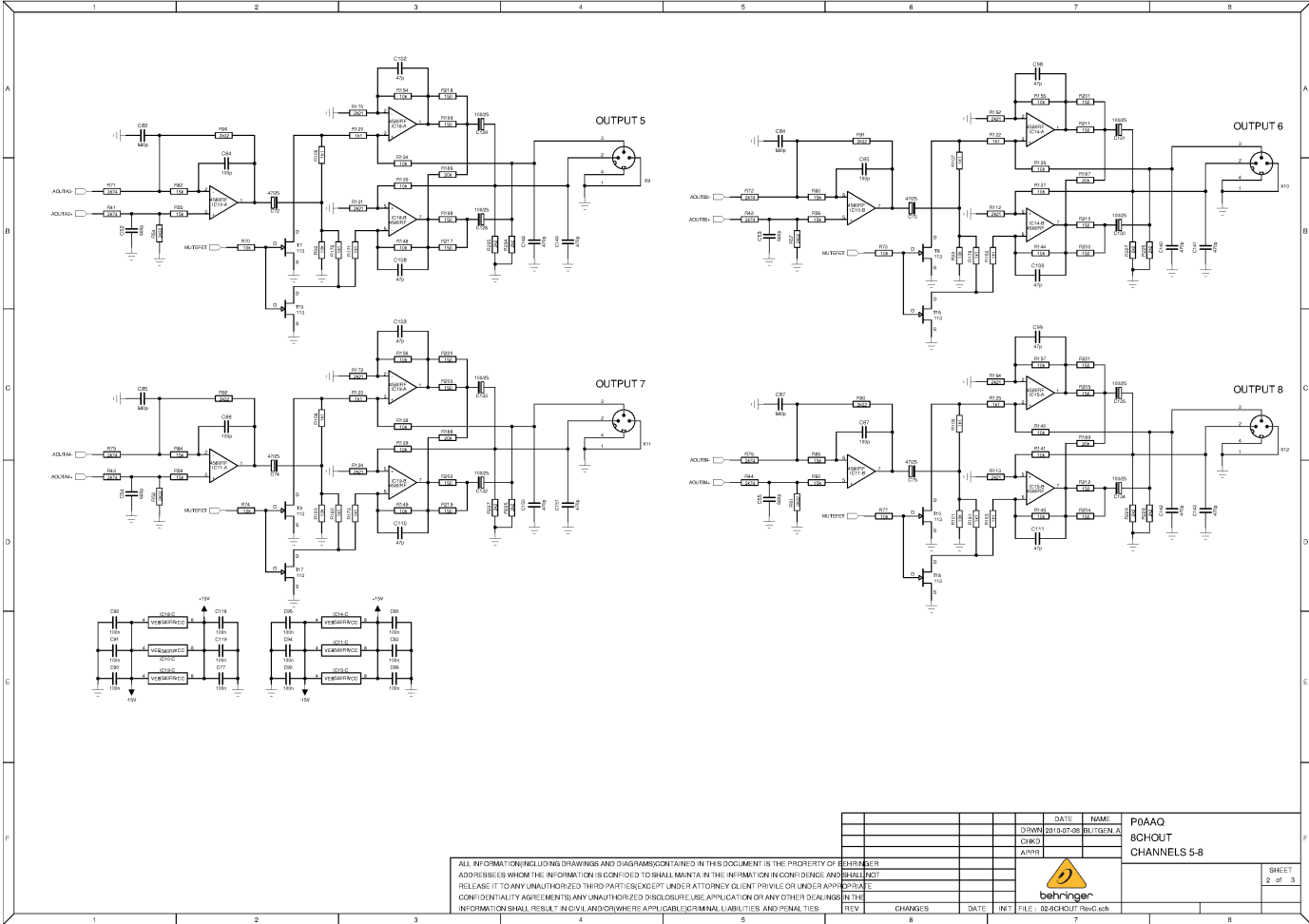




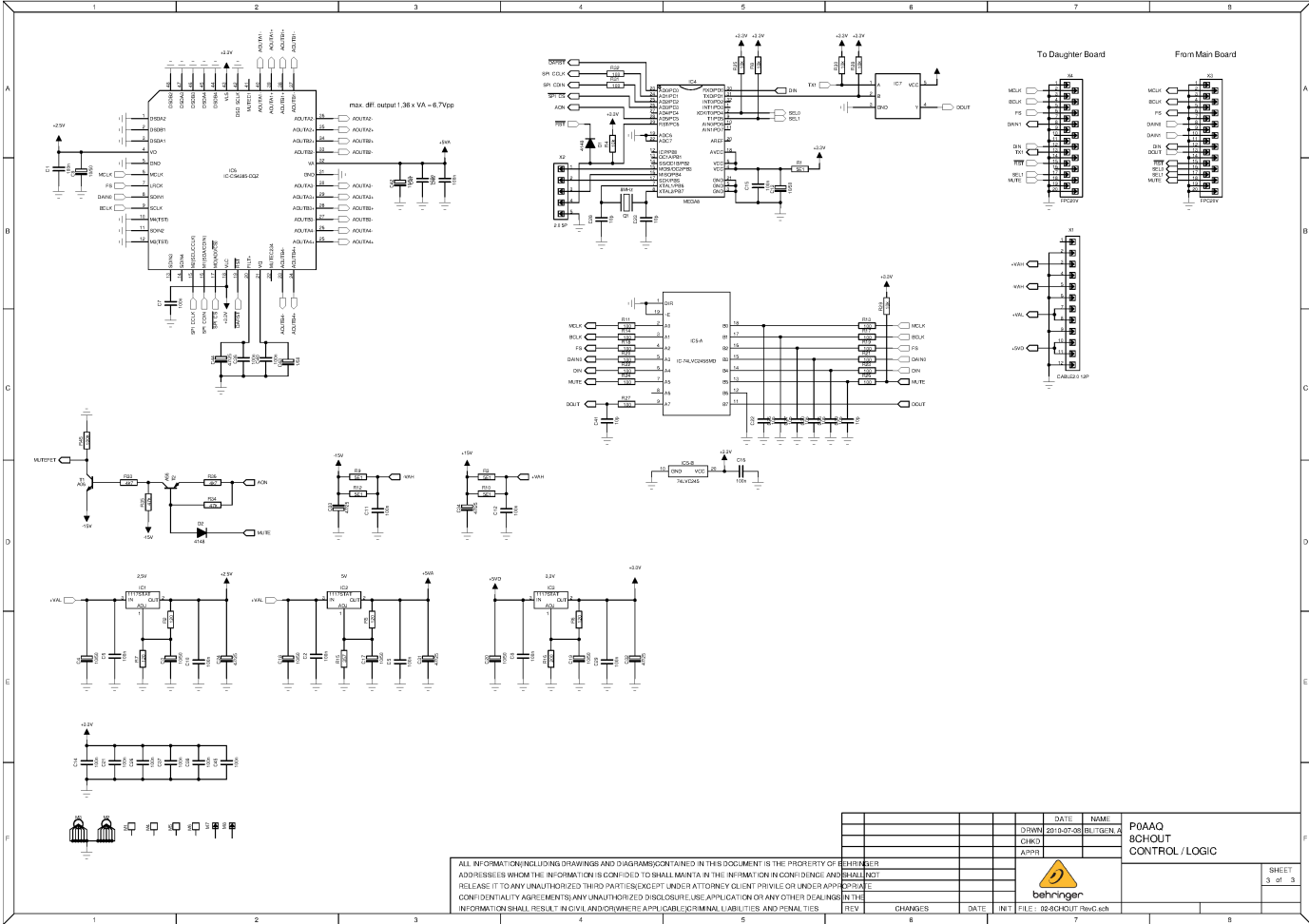
ALL INFORMATION INCLUDING DRAWINGS AND DIAGRAMS CONTAINED IN THIS DOCUMENT IS THE PROPERTY OF BEHRINGER. NO PART OF THIS DOCUMENT IS TO BE REPRODUCED OR TRANSMITTED IN ANY FORM OR BY ANY MEANS, ELECTRONIC OR MECHANICAL, INCLUDING PHOTOCOPYING, RECORDING, OR BY ANY INFORMATION STORAGE AND RETRIEVAL SYSTEM. WITHOUT PERMISSION IN WRITING FROM BEHRINGER, THIS DOCUMENT IS TO BE KEPT CONFIDENTIAL AND NOT RELEASED TO ANY UNAUTHORIZED THIRD PARTY. BEHRINGER ASSUMES NO LIABILITY FOR ANY DAMAGES, INCLUDING CONSEQUENTIAL DAMAGES, ARISING FROM THE USE OF THIS DOCUMENT. BEHRINGER ASSUMES NO LIABILITY FOR ANY DAMAGES, INCLUDING CONSEQUENTIAL DAMAGES, ARISING FROM THE USE OF THIS DOCUMENT. BEHRINGER ASSUMES NO LIABILITY FOR ANY DAMAGES, INCLUDING CONSEQUENTIAL DAMAGES, ARISING FROM THE USE OF THIS DOCUMENT.

REV	CHANGES	DATE	BY	DATE	NAME	DESCRIPTION
1	DATE	2015-07-28	BTJ/GEN			P0AAQ 8CHOUT CHANNELS 1-4
2	DATE	2015-07-28	BTJ/GEN			
3	DATE	2015-07-28	BTJ/GEN			
4	DATE	2015-07-28	BTJ/GEN			
5	DATE	2015-07-28	BTJ/GEN			
6	DATE	2015-07-28	BTJ/GEN			
7	DATE	2015-07-28	BTJ/GEN			
8	DATE	2015-07-28	BTJ/GEN			
9	DATE	2015-07-28	BTJ/GEN			
10	DATE	2015-07-28	BTJ/GEN			

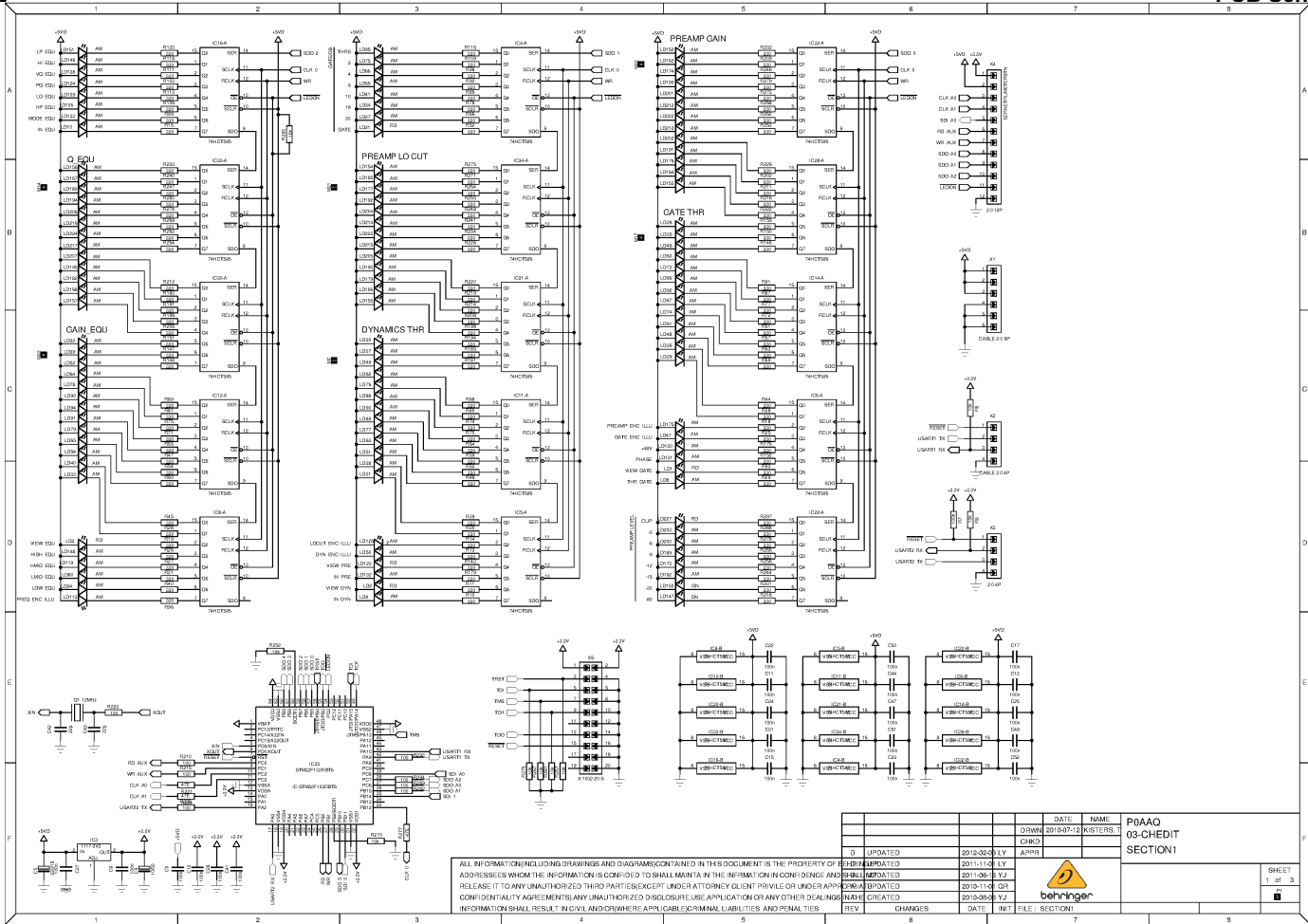
SHEET 1 of 3



ALL INFORMATION INCLUDING DRAWINGS AND DIAGRAMS CONTAINED IN THIS DOCUMENT IS THE PROPERTY OF BEHRINGER. ADDRESSES WHOM THE INFORMATION IS CONFIDED TO SHALL MAINTAIN THE INFORMATION IN CONFIDENCE AND SHALL NOT RELEASE IT TO ANY UNAUTHORIZED THIRD PARTY WITHOUT THE WRITTEN PERMISSION OF BEHRINGER. BEHRINGER ASSUMES NO LIABILITY FOR CONFIDENTIALITY AGREEMENTS, ANY UNAUTHORIZED DISCLOSURE, USE, APPLICATION OF ANY OTHER DEALINGS IN THE INFORMATION SHALL RESULT IN CIVIL AND/OR WHERE APPLICABLE CRIMINAL LIABILITIES AND PENALTIES.



ALL INFORMATION INCLUDING DRAWINGS AND DIAGRAMS CONTAINED IN THIS DOCUMENT IS THE PROPERTY OF BEHRINGER		DATE	NAME	P0AAQ 8CHOUT CONTROL / LOGIC	SHEET 3 of 3
ADDRESSES FROM WHICH THE INFORMATION IS CONFIDED TO SHALL MAINTAIN THE INFORMATION IN CONFIDENCE AND SHALL NOT		DRAWN	BLUTGEN, A		
RELEASE IT TO ANY UNAUTHORIZED THIRD PARTY WITHOUT THE WRITTEN PERMISSION OF BEHRINGER		CHKD			
CONFIDENTIALITY AGREEMENTS) ANY UNAUTHORIZED DISCLOSURE, USE, APPLICATION OR ANY OTHER DEALINGS IN THE		APPD			
INFORMATION SHALL RESULT IN CIVIL AND/OR WHERE APPLICABLE CRIMINAL LIABILITIES AND PENALTIES.		REV	CHANGES	DATE	INT FILE: 02-8CHOUT RevC.6ch

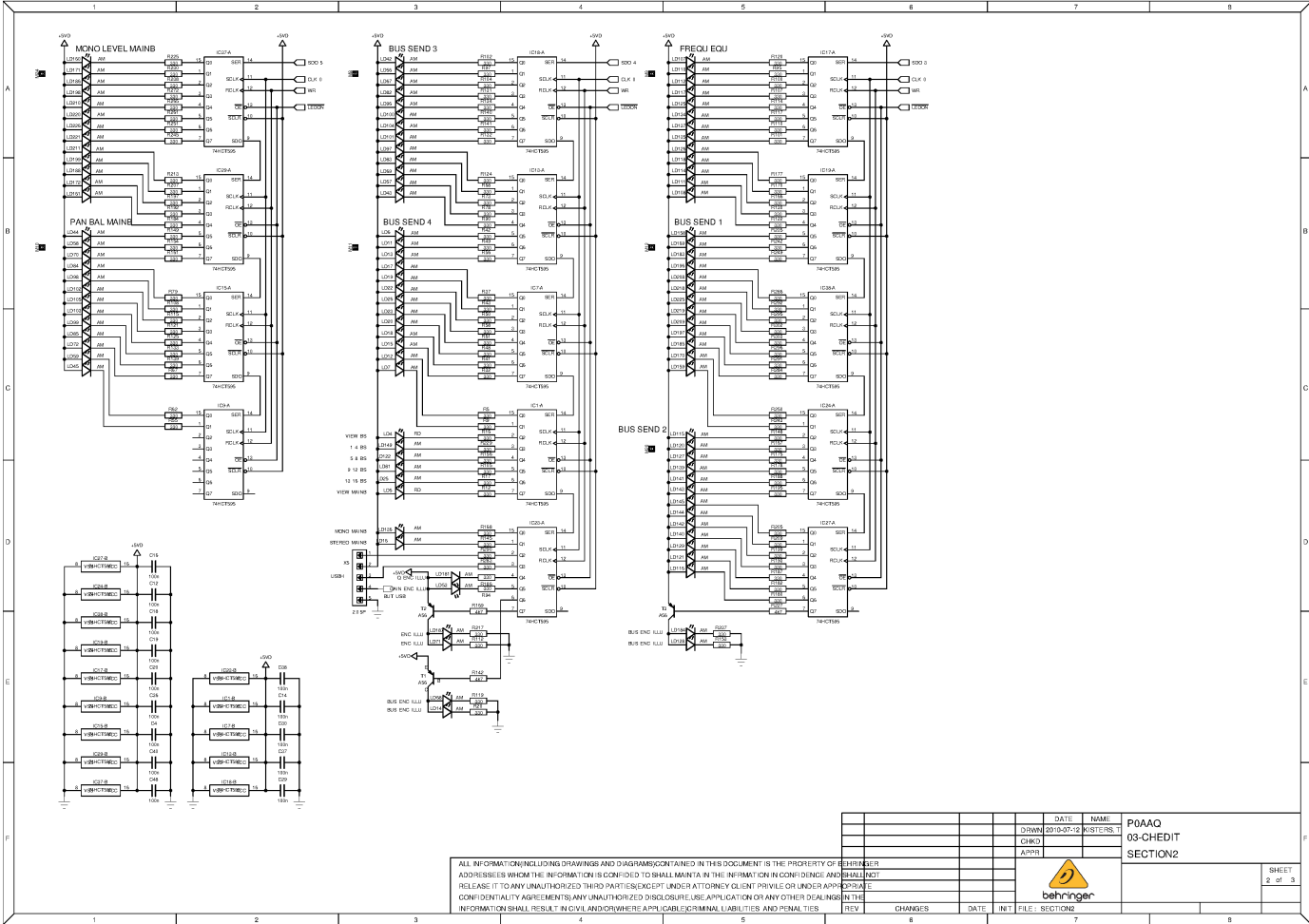


ALL INFORMATION INCLUDING DRAWINGS AND DIAGRAMS CONTAINED IN THIS DOCUMENT IS THE PROPERTY OF BEHRINGER. IT IS TO BE KEPT CONFIDENTIAL AND NOT TO BE REPRODUCED OR TRANSMITTED IN ANY FORM OR BY ANY MEANS, ELECTRONIC OR MECHANICAL, INCLUDING PHOTOCOPYING, RECORDING, OR BY ANY INFORMATION STORAGE AND RETRIEVAL SYSTEM. WITHOUT PERMISSION IN WRITING FROM BEHRINGER, NO PART OF THIS DOCUMENT IS TO BE REPRODUCED OR TRANSMITTED IN ANY FORM OR BY ANY MEANS, ELECTRONIC OR MECHANICAL, INCLUDING PHOTOCOPYING, RECORDING, OR BY ANY INFORMATION STORAGE AND RETRIEVAL SYSTEM. BEHRINGER ASSUMES NO LIABILITY FOR ANY DAMAGES, INCLUDING CONSEQUENTIAL DAMAGES, ARISING FROM THE USE OF THIS DOCUMENT.

REV	CHANGES	DATE	INT FILE	SECTION
1	INITIAL	2010-08-01	JY	SECTION1
2	CHANGES	2011-06-01	JY	SECTION1
3	CHANGES	2011-11-01	JY	SECTION1
4	CHANGES	2012-02-01	JY	SECTION1
5	CHANGES	2012-02-01	JY	SECTION1

DATE	NAME	POAAQ
2010-07-12	KISTERS.	03-CHEDET
DATE	NAME	SECTION1
2010-08-01	JY	

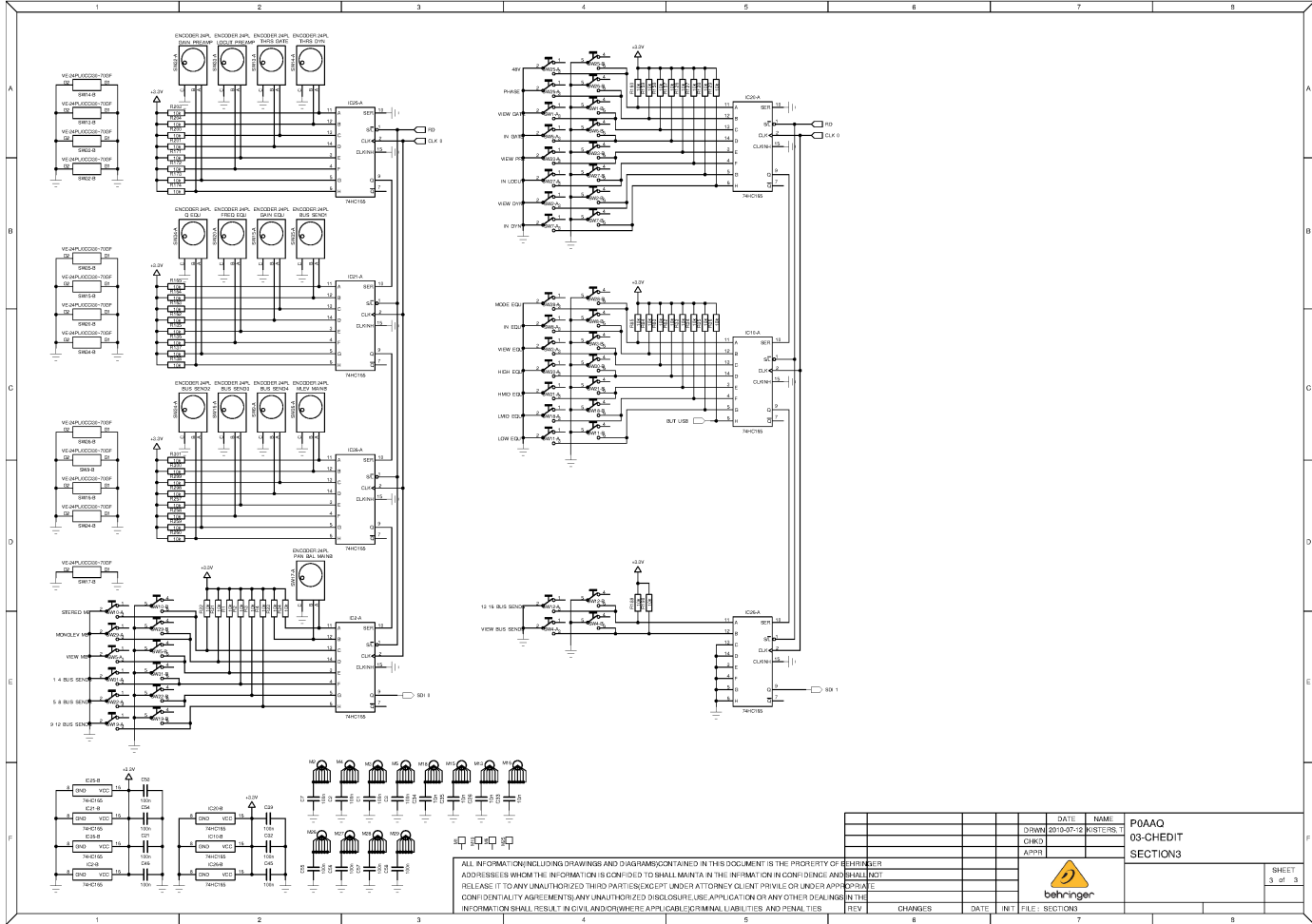
SHEET 1 of 3



ALL INFORMATION INCLUDING DRAWINGS AND DIAGRAMS CONTAINED IN THIS DOCUMENT IS THE PROPERTY OF BEHRINGER. ADDRESSES WHOM THE INFORMATION IS CONFIDED TO SHALL MAINTAIN THE INFORMATION IN CONFIDENCE AND SHALL NOT RELEASE IT TO ANY UNAUTHORIZED THIRD PARTY WITHOUT THE WRITTEN PERMISSION OF BEHRINGER. BEHRINGER SHALL NOT BE LIABLE FOR ANY DAMAGES, INCLUDING CONSEQUENTIAL DAMAGES, ARISING FROM THE USE OF THIS INFORMATION. BEHRINGER SHALL NOT BE LIABLE FOR ANY DAMAGES, INCLUDING CONSEQUENTIAL DAMAGES, ARISING FROM THE USE OF THIS INFORMATION.

DATE	NAME	P0AAQ 03-CHEdit SECTION2			
2010-07-12	KISTERS, T				
CHNO	ADPH				
REV	CHANGES	DATE	INT	FILE	SECTION2

SHEET  
2 of 3

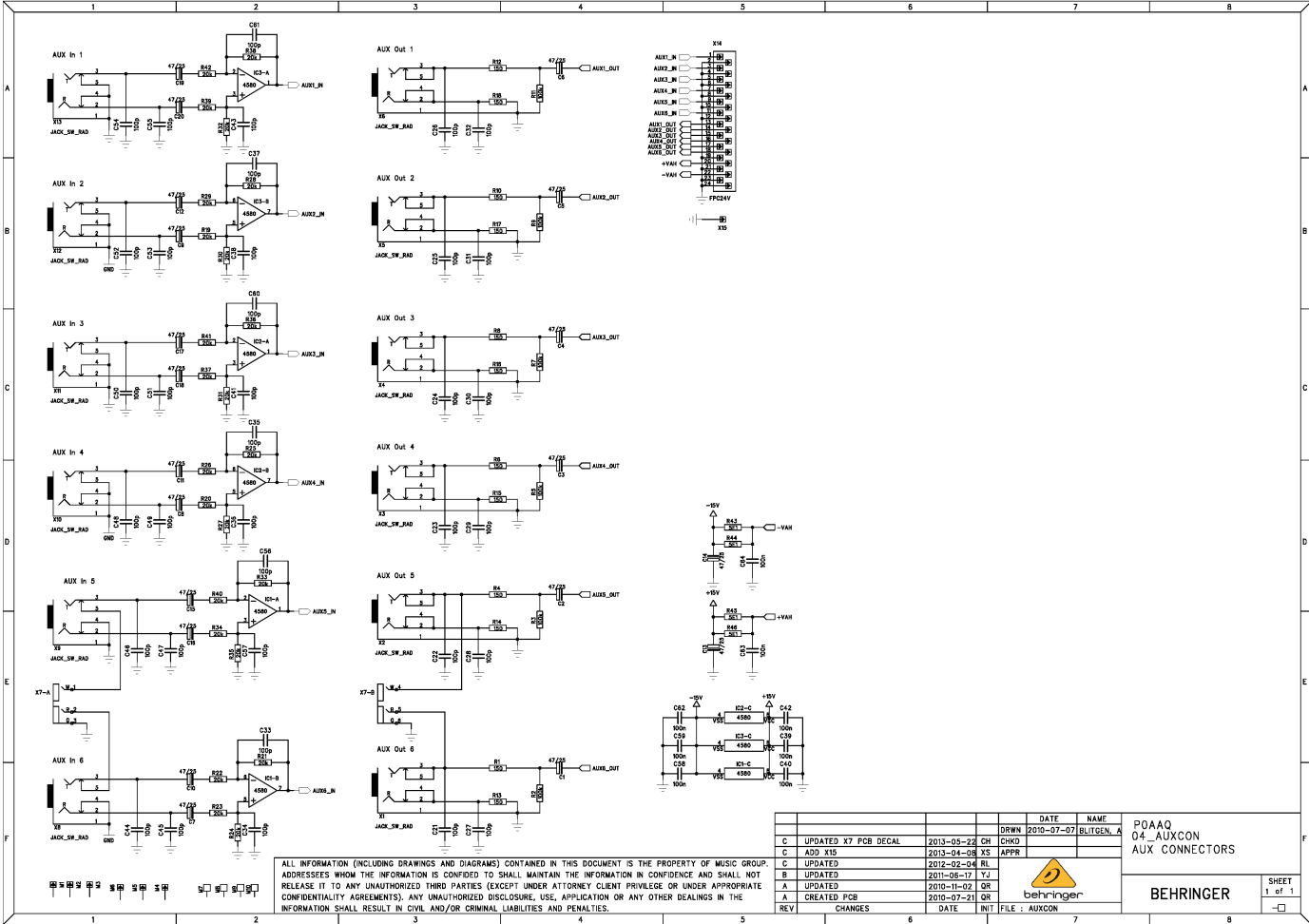


ALL INFORMATION INCLUDING DRAWINGS AND DIAGRAMS CONTAINED IN THIS DOCUMENT IS THE PROPERTY OF BEHRINGER. ADDRESSES WHOM THE INFORMATION IS CONFIDED TO SHALL MAINTAIN THE INFORMATION IN CONFIDENCE, AND SHALL NOT RELEASE IT TO ANY UNAUTHORIZED THIRD PARTY SUBJECT UNDER ATTORNEY CLIENT PRIVILEGE OR UNDER ANY OTHER CONFIDENTIALITY AGREEMENTS. ANY UNAUTHORIZED DISCLOSURE, USE, APPLICATION OF ANY OTHER DEALINGS IN THE INFORMATION SHALL RESULT IN CIVIL AND/OR WHERE APPLICABLE CRIMINAL LIABILITIES AND PENALTIES.

REV	CHANGES	DATE	INT	FILE	SECTION

DATE	NAME	P0AAQ
2010-07-12	KISTERS	03-CHEDIT
		SECTION3

		SHEET
		3 of 3



ALL INFORMATION (INCLUDING DRAWINGS AND DIAGRAMS) CONTAINED IN THIS DOCUMENT IS THE PROPERTY OF MUSIC GROUP ADDRESSEES WHOM THE INFORMATION IS CONFIDED TO SHALL MAINTAIN THE INFORMATION IN CONFIDENCE AND SHALL NOT RELEASE IT TO ANY UNAUTHORIZED THIRD PARTIES (EXCEPT UNDER ATTORNEY CLIENT PRIVILEGE OR UNDER APPROPRIATE CONFIDENTIALITY AGREEMENTS). ANY UNAUTHORIZED DISCLOSURE, USE, APPLICATION OR ANY OTHER DEALINGS IN THE INFORMATION SHALL RESULT IN CIVIL AND/OR CRIMINAL LIABILITIES AND PENALTIES.

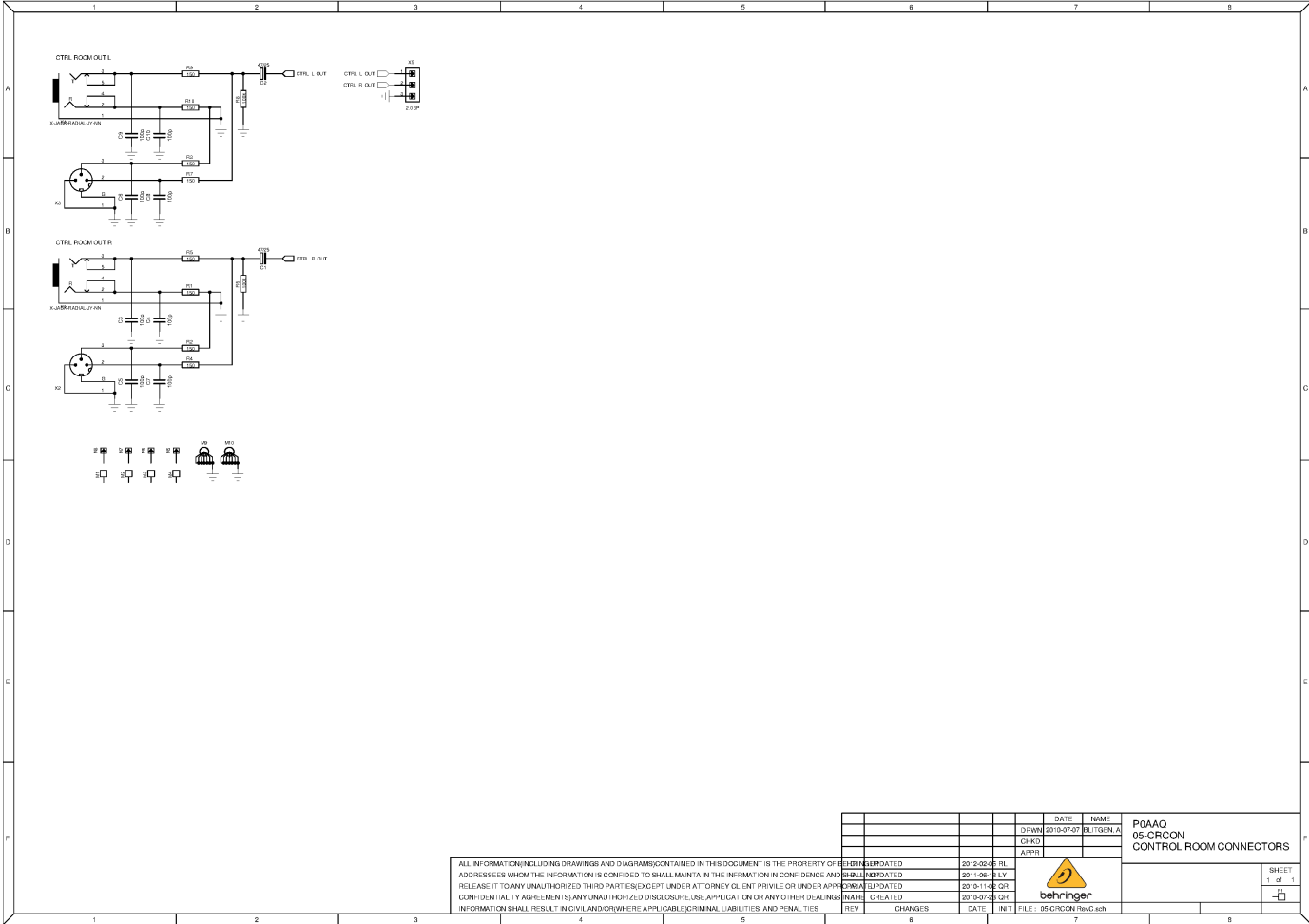
REV	CHANGES	DATE	INIT	FILE : AUXCON
C	UPDATED X7 PCB DECAL	2013-05-22	CH	CHKD
C	ADD X15	2013-04-08	XS	APPR
C	UPDATED	2012-02-04	RL	
B	UPDATED	2011-08-17	YJ	
A	UPDATED	2010-11-02	GR	
A	CREATED PCB	2010-07-21	GR	

DATE	NAME	POAAQ
2010-07-07	BLITZEN, A	04_AUXCON
		AUX CONNECTORS

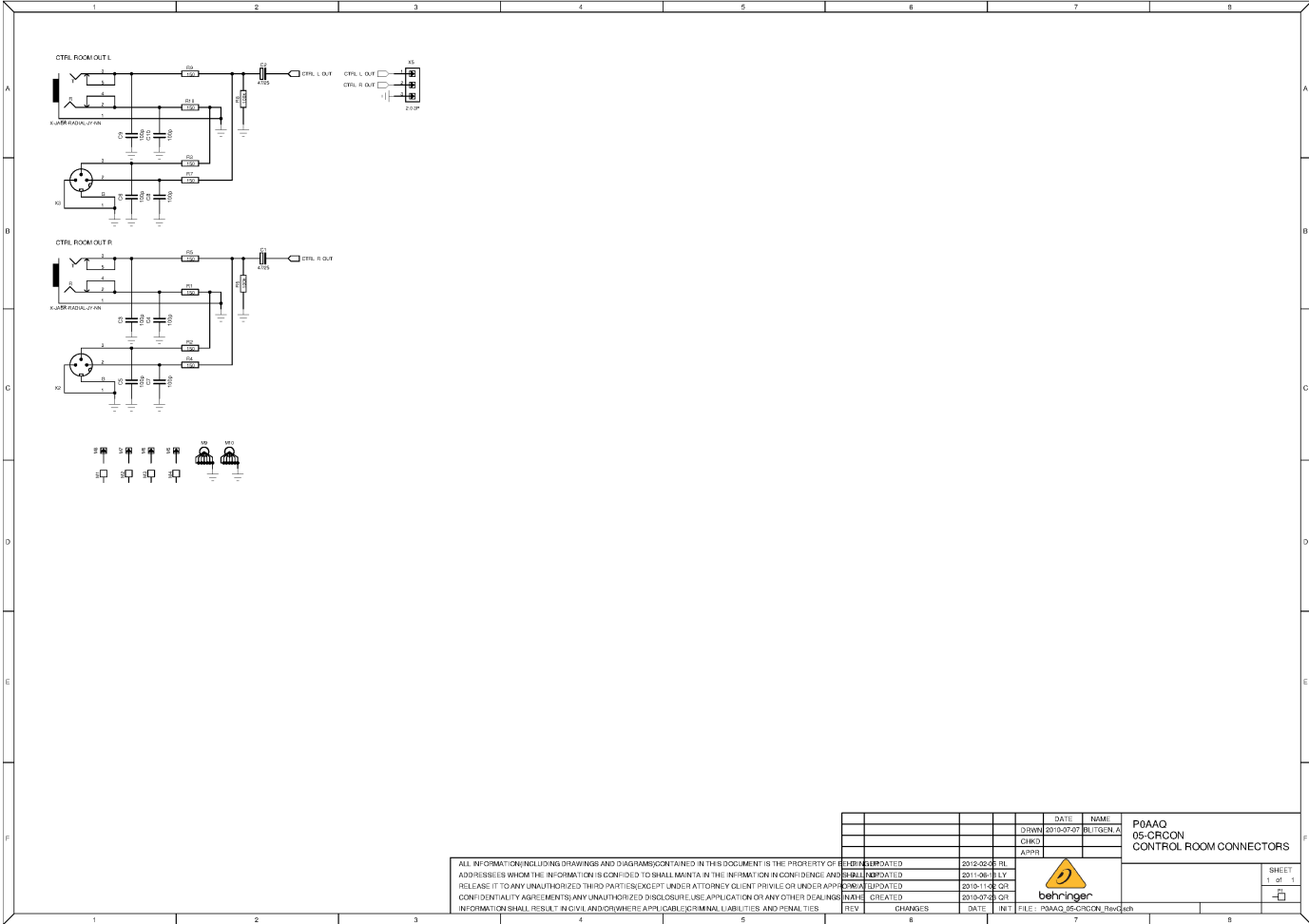


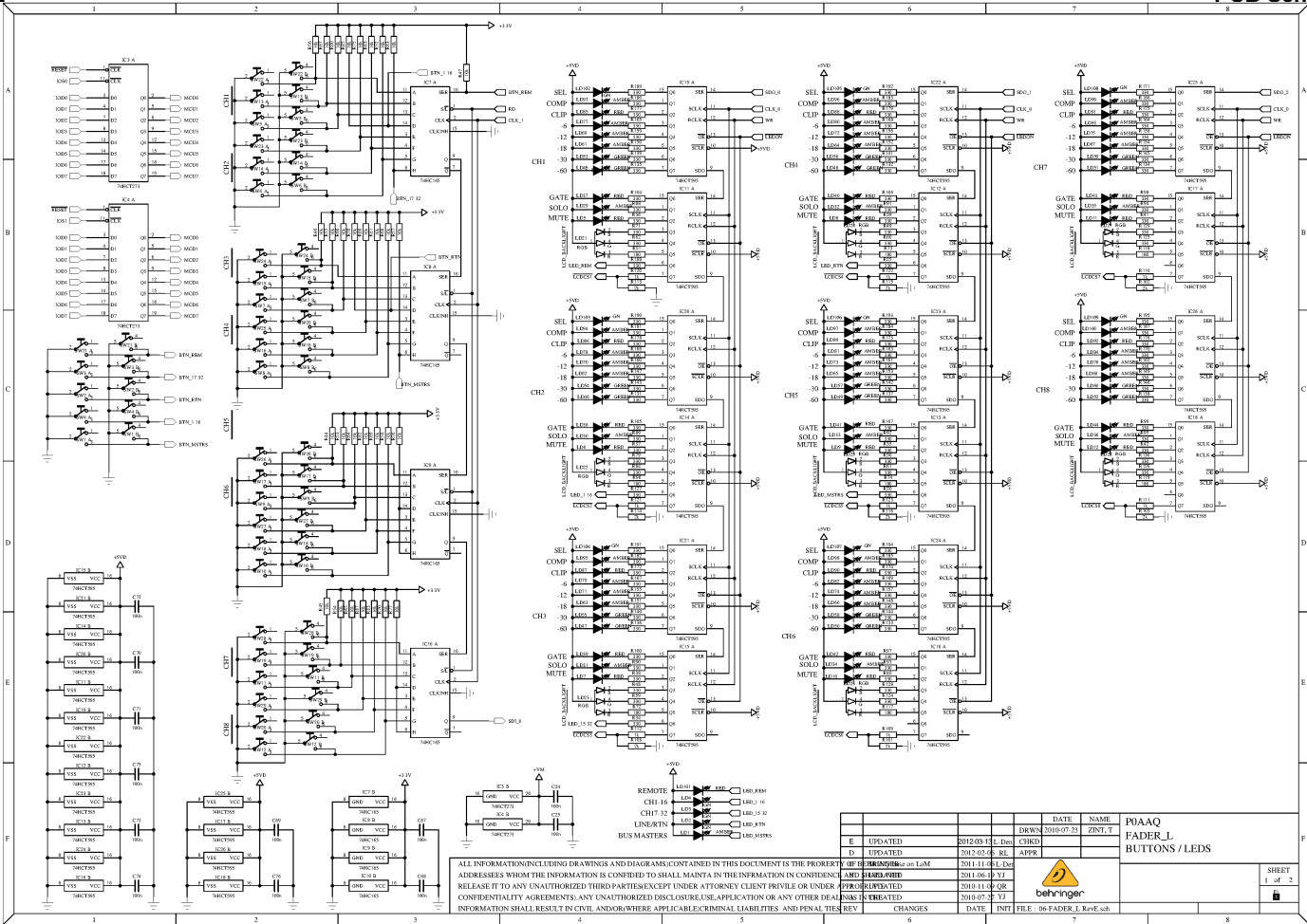
BEHRINGER

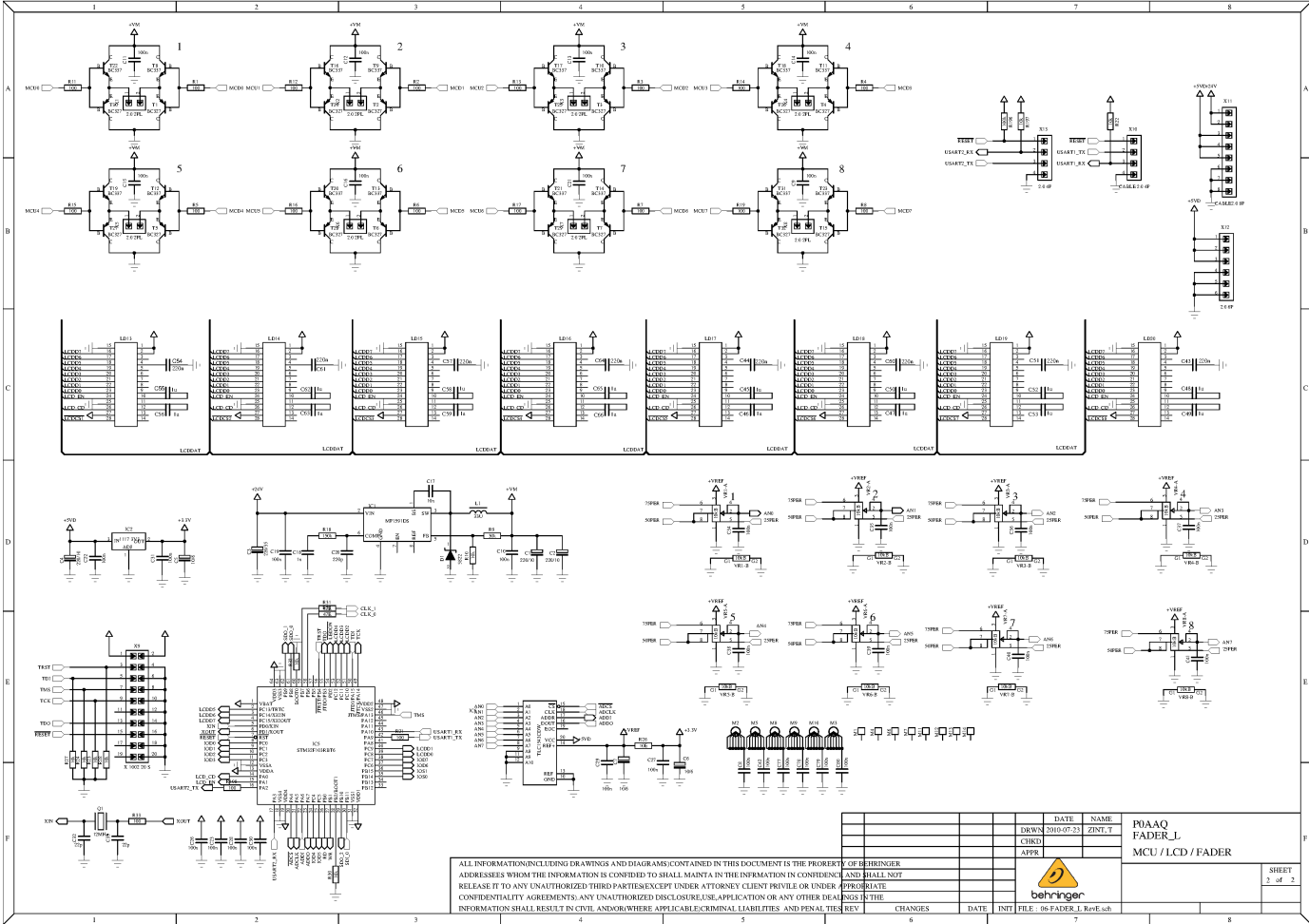
SHEET 1 of 1



ALL INFORMATION INCLUDING DRAWINGS AND DIAGRAMS CONTAINED IN THIS DOCUMENT IS THE PROPERTY OF BEHRINGER. IT IS TO BE KEPT IN CONFIDENCE AND IS NOT TO BE REPRODUCED OR TRANSMITTED IN ANY FORM OR BY ANY MEANS, ELECTRONIC OR MECHANICAL, INCLUDING PHOTOCOPYING, RECORDING, OR BY ANY INFORMATION STORAGE AND RETRIEVAL SYSTEM. ANY UNAUTHORIZED DISCLOSURE, USE, APPLICATION OF, OR OTHER DEALINGS IN THIS INFORMATION SHALL RESULT IN CIVIL AND/OR WHERE APPLICABLE CRIMINAL LIABILITIES AND PENALTIES.		<table border="1"> <tr> <th>REV</th> <th>CHANGES</th> <th>DATE</th> <th>INT</th> <th>FILE</th> <th>DRG/CON</th> <th>REV/G</th> <th>ICR</th> </tr> <tr> <td> </td> <td> </td> <td> </td> <td> </td> <td> </td> <td> </td> <td> </td> <td> </td> </tr> </table>	REV	CHANGES	DATE	INT	FILE	DRG/CON	REV/G	ICR									<table border="1"> <tr> <th>DATE</th> <th>NAME</th> </tr> <tr> <td>2010-07-07</td> <td>BUTGEN, A</td> </tr> <tr> <td> </td> <td> </td> </tr> <tr> <td> </td> <td> </td> </tr> </table>	DATE	NAME	2010-07-07	BUTGEN, A					<p>P0AAQ 05-CRCON CONTROL ROOM CONNECTORS</p>	<table border="1"> <tr> <td>SHEET</td> </tr> <tr> <td>1 of 1</td> </tr> </table>	SHEET	1 of 1
REV	CHANGES	DATE	INT	FILE	DRG/CON	REV/G	ICR																								
DATE	NAME																														
2010-07-07	BUTGEN, A																														
SHEET																															
1 of 1																															



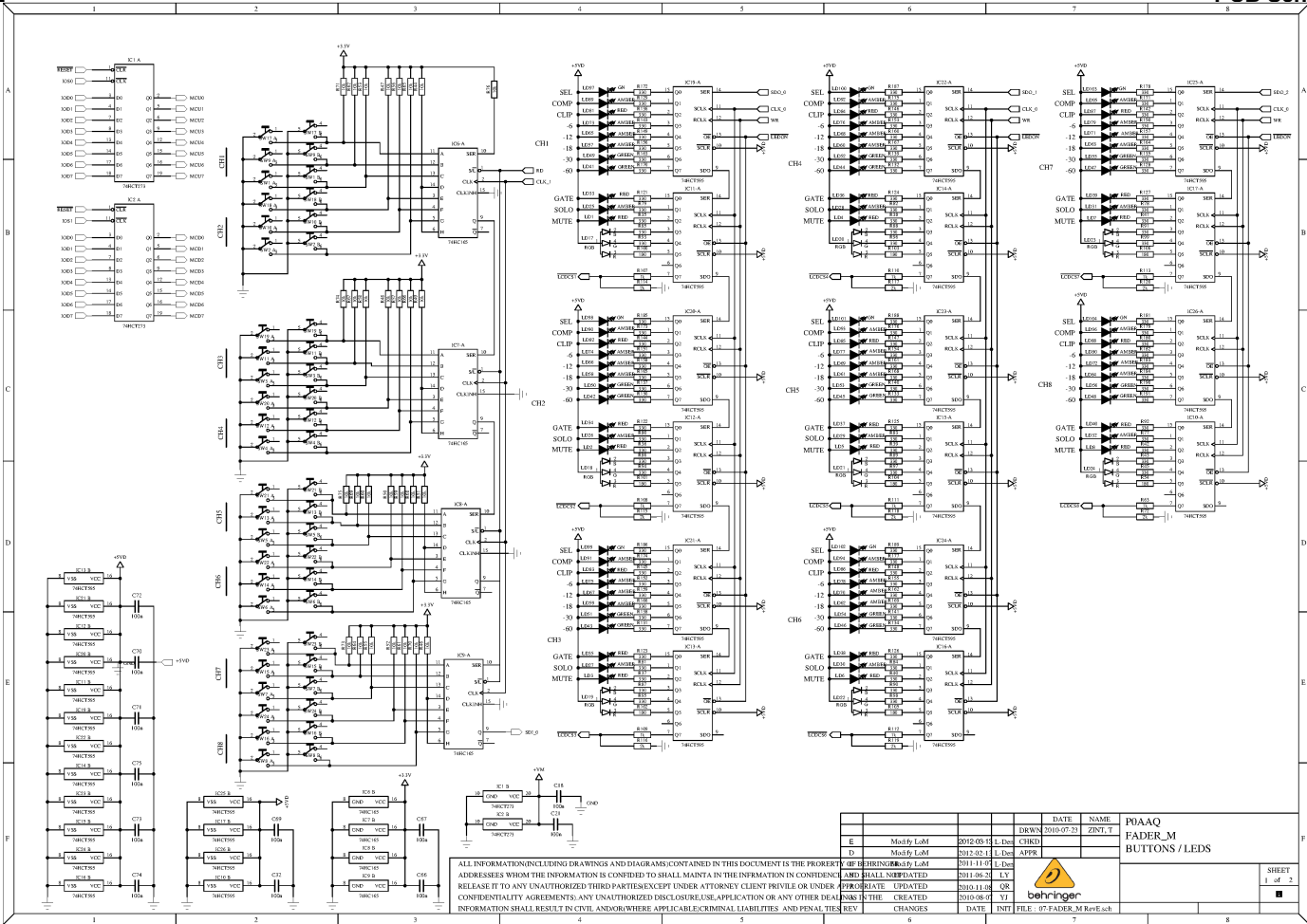


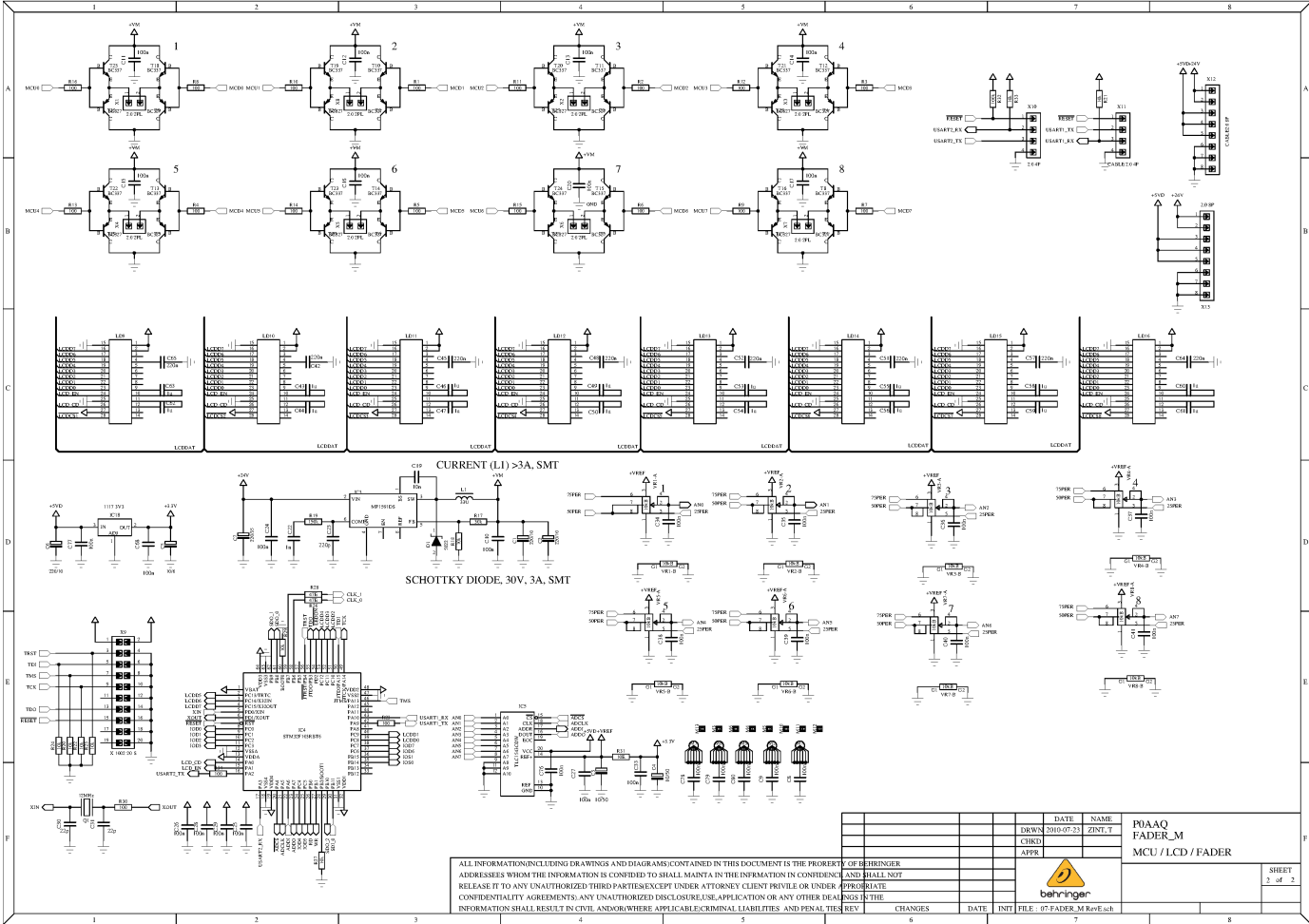


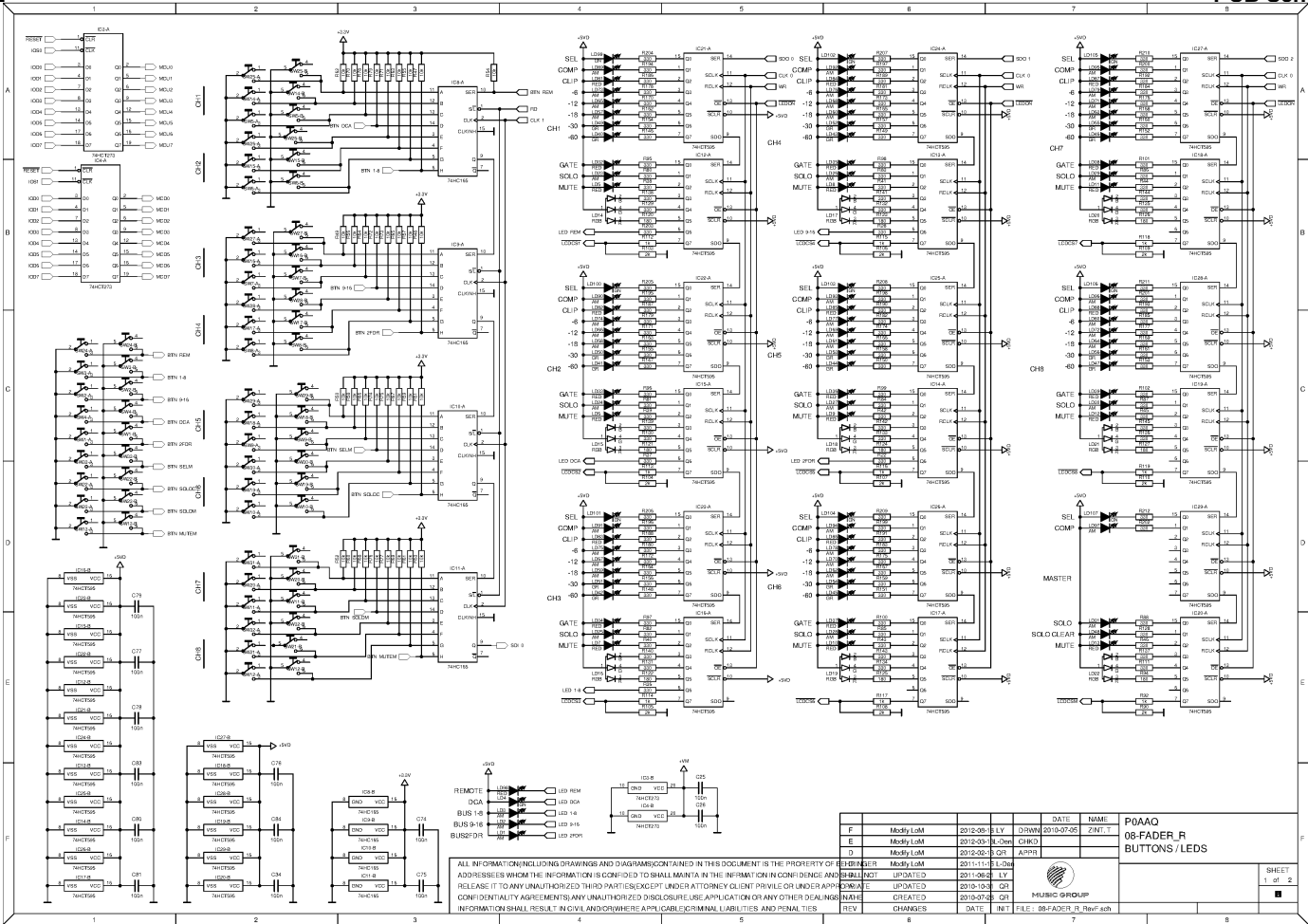
ALL INFORMATION (INCLUDING DRAWINGS AND DIAGRAMS) CONTAINED IN THIS DOCUMENT IS THE PROPERTY OF BEHRINGER. ADDRESSES WHOM THE INFORMATION IS CONFIDED TO SHALL MAINTAIN THE INFORMATION IN CONFIDENCE AND SHALL NOT RELEASE IT TO ANY UNAUTHORIZED THIRD PARTY EXCEPT UNDER ATTORNEY CLIENT PRIVILEGE OR UNDER AN APPLICABLE CONFIDENTIALITY AGREEMENT. ANY UNAUTHORIZED DISCLOSURE, USE, APPLICATION OR ANY OTHER DEALINGS IN THE INFORMATION SHALL RESULT IN CIVIL AND/OR WHERE APPLICABLE CRIMINAL LIABILITIES AND PENAL TIES. REV



SHEET 2 of 2



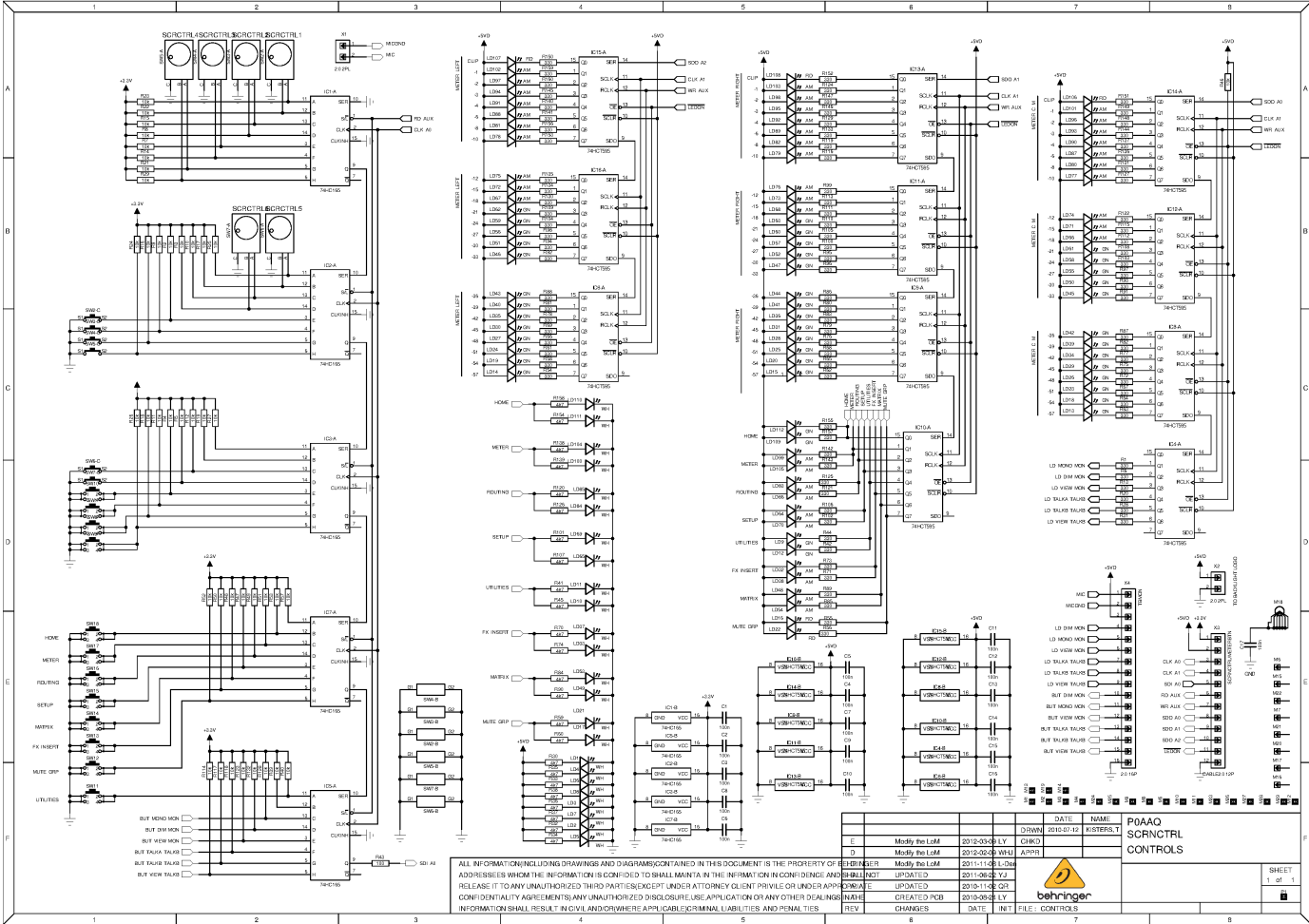


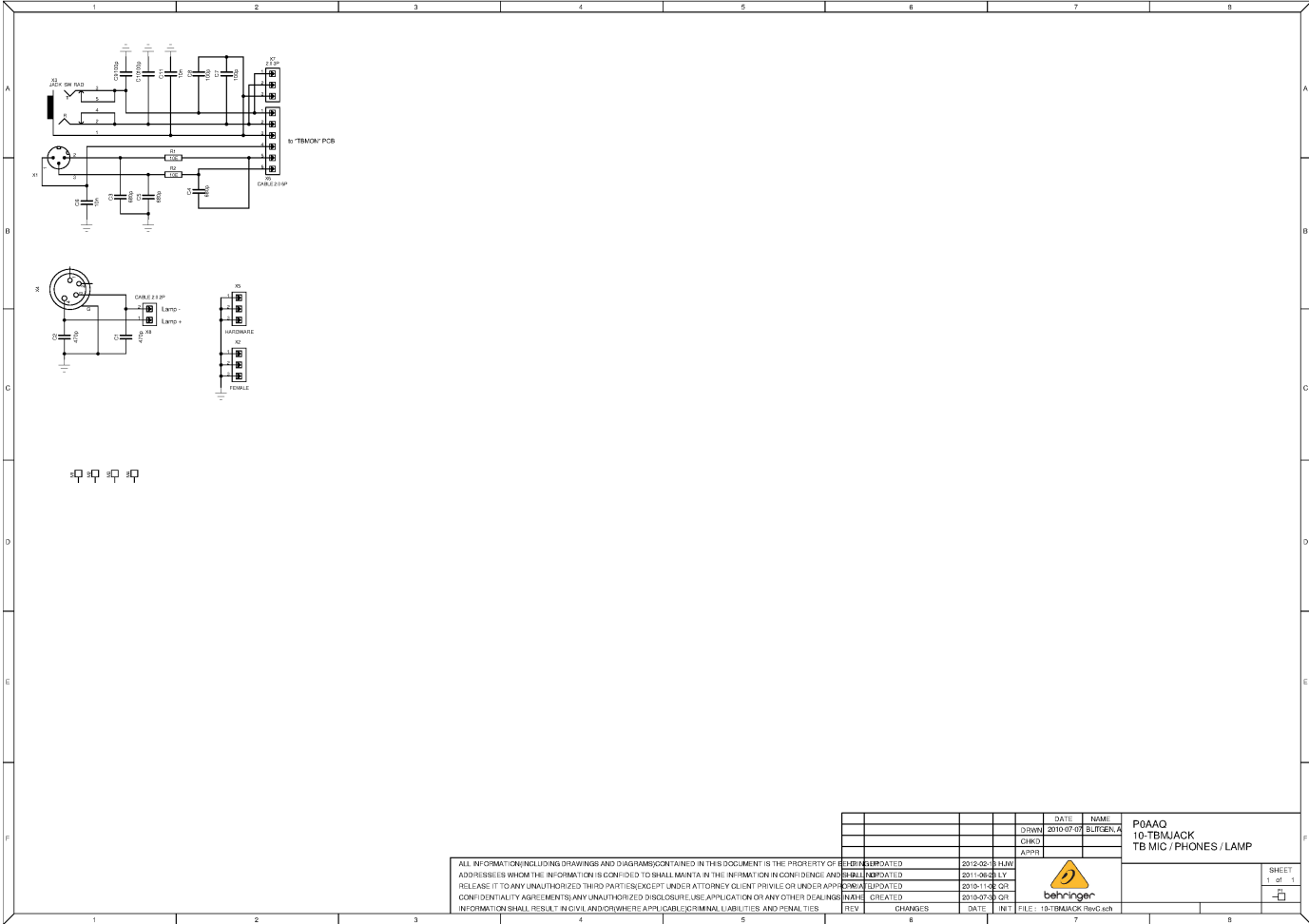


REMOTE LED REM  
 BUS 1-8 LED DCA  
 BUS 9-16 LED DCA  
 BUS 17-24 LED DCA  
 BUS 25-32 LED DCA  
 BUS 33-40 LED DCA  
 BUS 41-48 LED DCA  
 BUS 49-56 LED DCA  
 BUS 57-64 LED DCA  
 BUS 65-72 LED DCA  
 BUS 73-80 LED DCA  
 BUS 81-88 LED DCA  
 BUS 89-96 LED DCA  
 BUS 97-104 LED DCA  
 BUS 105-112 LED DCA  
 BUS 113-120 LED DCA  
 BUS 121-128 LED DCA  
 BUS 129-136 LED DCA  
 BUS 137-144 LED DCA  
 BUS 145-152 LED DCA  
 BUS 153-160 LED DCA  
 BUS 161-168 LED DCA  
 BUS 169-176 LED DCA  
 BUS 177-184 LED DCA  
 BUS 185-192 LED DCA  
 BUS 193-200 LED DCA  
 BUS 201-208 LED DCA  
 BUS 209-216 LED DCA  
 BUS 217-224 LED DCA  
 BUS 225-232 LED DCA  
 BUS 233-240 LED DCA  
 BUS 241-248 LED DCA  
 BUS 249-256 LED DCA  
 BUS 257-264 LED DCA  
 BUS 265-272 LED DCA  
 BUS 273-280 LED DCA  
 BUS 281-288 LED DCA  
 BUS 289-296 LED DCA  
 BUS 297-304 LED DCA  
 BUS 305-312 LED DCA  
 BUS 313-320 LED DCA  
 BUS 321-328 LED DCA  
 BUS 329-336 LED DCA  
 BUS 337-344 LED DCA  
 BUS 345-352 LED DCA  
 BUS 353-360 LED DCA  
 BUS 361-368 LED DCA  
 BUS 369-376 LED DCA  
 BUS 377-384 LED DCA  
 BUS 385-392 LED DCA  
 BUS 393-400 LED DCA  
 BUS 401-408 LED DCA  
 BUS 409-416 LED DCA  
 BUS 417-424 LED DCA  
 BUS 425-432 LED DCA  
 BUS 433-440 LED DCA  
 BUS 441-448 LED DCA  
 BUS 449-456 LED DCA  
 BUS 457-464 LED DCA  
 BUS 465-472 LED DCA  
 BUS 473-480 LED DCA  
 BUS 481-488 LED DCA  
 BUS 489-496 LED DCA  
 BUS 497-504 LED DCA  
 BUS 505-512 LED DCA  
 BUS 513-520 LED DCA  
 BUS 521-528 LED DCA  
 BUS 529-536 LED DCA  
 BUS 537-544 LED DCA  
 BUS 545-552 LED DCA  
 BUS 553-560 LED DCA  
 BUS 561-568 LED DCA  
 BUS 569-576 LED DCA  
 BUS 577-584 LED DCA  
 BUS 585-592 LED DCA  
 BUS 593-600 LED DCA  
 BUS 601-608 LED DCA  
 BUS 609-616 LED DCA  
 BUS 617-624 LED DCA  
 BUS 625-632 LED DCA  
 BUS 633-640 LED DCA  
 BUS 641-648 LED DCA  
 BUS 649-656 LED DCA  
 BUS 657-664 LED DCA  
 BUS 665-672 LED DCA  
 BUS 673-680 LED DCA  
 BUS 681-688 LED DCA  
 BUS 689-696 LED DCA  
 BUS 697-704 LED DCA  
 BUS 705-712 LED DCA  
 BUS 713-720 LED DCA  
 BUS 721-728 LED DCA  
 BUS 729-736 LED DCA  
 BUS 737-744 LED DCA  
 BUS 745-752 LED DCA  
 BUS 753-760 LED DCA  
 BUS 761-768 LED DCA  
 BUS 769-776 LED DCA  
 BUS 777-784 LED DCA  
 BUS 785-792 LED DCA  
 BUS 793-800 LED DCA  
 BUS 801-808 LED DCA  
 BUS 809-816 LED DCA  
 BUS 817-824 LED DCA  
 BUS 825-832 LED DCA  
 BUS 833-840 LED DCA  
 BUS 841-848 LED DCA  
 BUS 849-856 LED DCA  
 BUS 857-864 LED DCA  
 BUS 865-872 LED DCA  
 BUS 873-880 LED DCA  
 BUS 881-888 LED DCA  
 BUS 889-896 LED DCA  
 BUS 897-904 LED DCA  
 BUS 905-912 LED DCA  
 BUS 913-920 LED DCA  
 BUS 921-928 LED DCA  
 BUS 929-936 LED DCA  
 BUS 937-944 LED DCA  
 BUS 945-952 LED DCA  
 BUS 953-960 LED DCA  
 BUS 961-968 LED DCA  
 BUS 969-976 LED DCA  
 BUS 977-984 LED DCA  
 BUS 985-992 LED DCA  
 BUS 993-1000 LED DCA

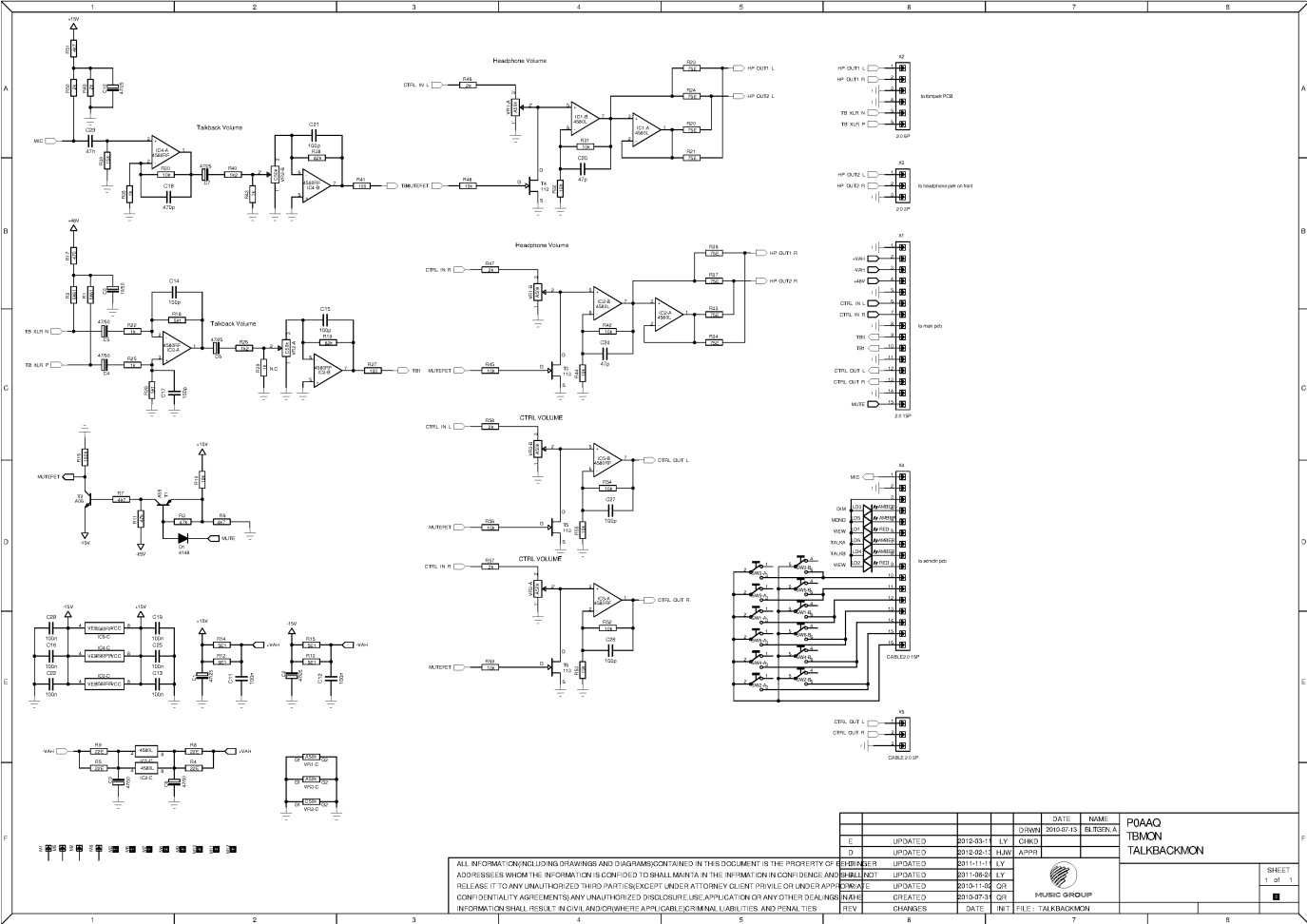
REV	CHANGES	DATE	INT	FILE	DR-FADER R RevF.sch
F	Modify LdM	2010-09-15	LY	DR	2010-07-02
E	Modify LdM	2010-09-15	LY	DR	2010-07-02
D	Modify LdM	2010-09-15	LY	DR	2010-07-02
C	Modify LdM	2010-09-15	LY	DR	2010-07-02
B	Modify LdM	2010-09-15	LY	DR	2010-07-02
A	Modify LdM	2010-09-15	LY	DR	2010-07-02
1	Modify LdM	2010-09-15	LY	DR	2010-07-02







DATE		NAME		P0AAQ 10-TBMJACK TB MIC / PHONES / LAMP	SHEET 1 of 1
2010-07-07		BLURKEN, A			
DESIGN	DATE	NAME	FILE: 10-TBMJACK RevC.sch		
CHKD					
APPD					
ALL INFORMATION INCLUDING DRAWINGS AND DIAGRAMS CONTAINED IN THIS DOCUMENT IS THE PROPERTY OF BEHRINGER. IT IS TO BE KEPT IN CONFIDENCE AND IS NOT TO BE REPRODUCED OR TRANSMITTED IN ANY FORM OR BY ANY MEANS, ELECTRONIC OR MECHANICAL, INCLUDING PHOTOCOPYING, RECORDING, OR BY ANY INFORMATION STORAGE AND RETRIEVAL SYSTEM. ANY UNAUTHORIZED DISCLOSURE, USE, APPLICATION OF ANY OTHER DEALINGS, OR REPRODUCTION OF THIS INFORMATION SHALL RESULT IN CIVIL AND/OR WHERE APPLICABLE CRIMINAL LIABILITIES AND PENALTIES.					
REV	CHANGES	DATE	INT	FILE: 10-TBMJACK RevC.sch	
1	CREATED	2010-07-07	GR		
2	UPDATED	2012-08-18	HLW		
3	UPDATED	2011-06-21	LY		
4	UPDATED	2010-11-28	GR		



REV	CHANGES	DATE	INT	FILE	TALKBACKMON
E	UPDATED	2012-03-11	LY	CHRG	
D	UPDATED	2012-02-15	BLMN	ADPH	
C	UPDATED	2011-11-11	LY		
B	UPDATED	2011-06-23	LY		
A	UPDATED	2011-11-22	CH		
	CREATED	2010-07-13	CH		

DATE	NAME	POAOQ
2012-03-11	ELRBERVA	TBMON
		TALKBACKMON

BEHRINGER	SHANGHAI	CHINA
TEL: +86 21 6248 5288	FAX: +86 21 6248 5289	WWW.BEHRINGER.COM
<p>ALL INFORMATION INCLUDING DRAWINGS AND DIAGRAMS CONTAINED IN THIS DOCUMENT IS THE PROPERTY OF BEHRINGER. IT IS TO BE KEPT CONFIDENTIAL AND NOT TO BE REPRODUCED OR TRANSMITTED IN ANY FORM OR BY ANY MEANS, ELECTRONIC OR MECHANICAL, INCLUDING PHOTOCOPYING, RECORDING, OR BY ANY INFORMATION STORAGE AND RETRIEVAL SYSTEM. ANY UNAUTHORIZED DISCLOSURE, USE, APPLICATION OF ANY OTHER DEALINGS, OR REPRODUCTION OF THIS DOCUMENT OR INFORMATION CONTAINED HEREIN WITHOUT THE WRITTEN PERMISSION OF BEHRINGER SHALL RESULT IN CIVIL AND/OR CRIMINAL LIABILITIES AND PENALTIES.</p>		



ALL INFORMATION (INCLUDING DRAWINGS AND DIAGRAMS) CONTAINED IN THIS DOCUMENT IS THE PROPERTY OF BEHRINGER ADDRESSSES WHOM THE INFORMATION IS CONFIDED TO SHALL MAINTAIN THE INFORMATION IN CONFIDENCE AND SHALL NOT RELEASE IT TO ANY UNAUTHORIZED THIRD PARTY(S) EXCEPT UNDER ATTORNEY-CLIENT PRIVILEGE OR UNDER APPROPRIATE CONFIDENTIALITY AGREEMENT(S). ANY UNAUTHORIZED DISCLOSURE, USE, APPLICATION OR ANY OTHER DEALINGS IN THE INFORMATION SHALL RESULT IN CIVIL AND/OR WHERE APPLICABLE CRIMINAL LIABILITIES AND PENAL TIES

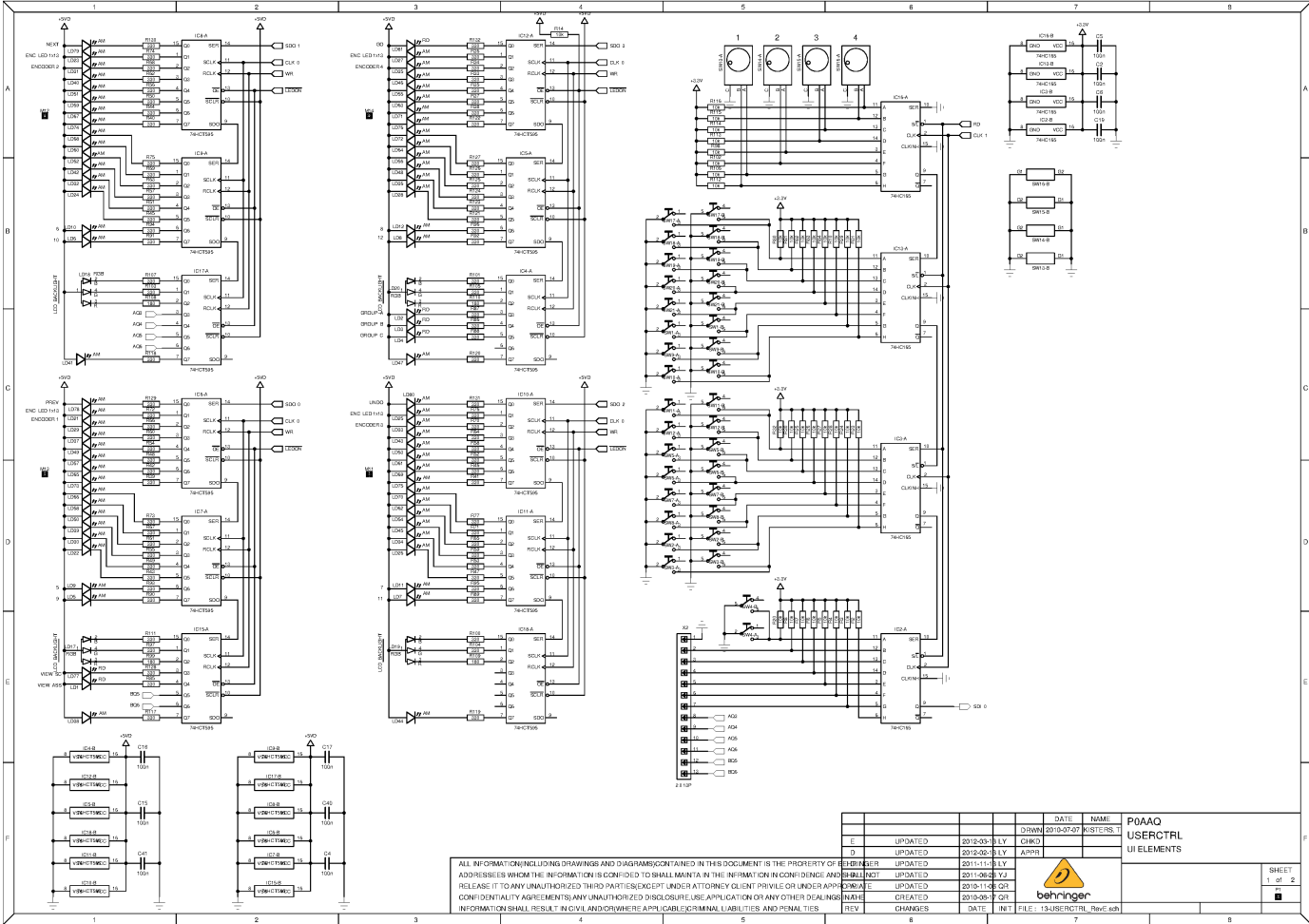
REV	CHANGES	DATE	INT	FILE	USB
D	UPDATED	2012-03-21	RL	APPR	
C	UPDATED	2011-11-12	LY		
B	UPDATED	2011-06-25	LY		
A	UPDATED	2010-11-02	QR		
A	CREATED	2010-08-16	QR		

DATE	NAME	POAAAQ
2010-07-13	KIBTERE, T	12-USBH
		USB INPUT

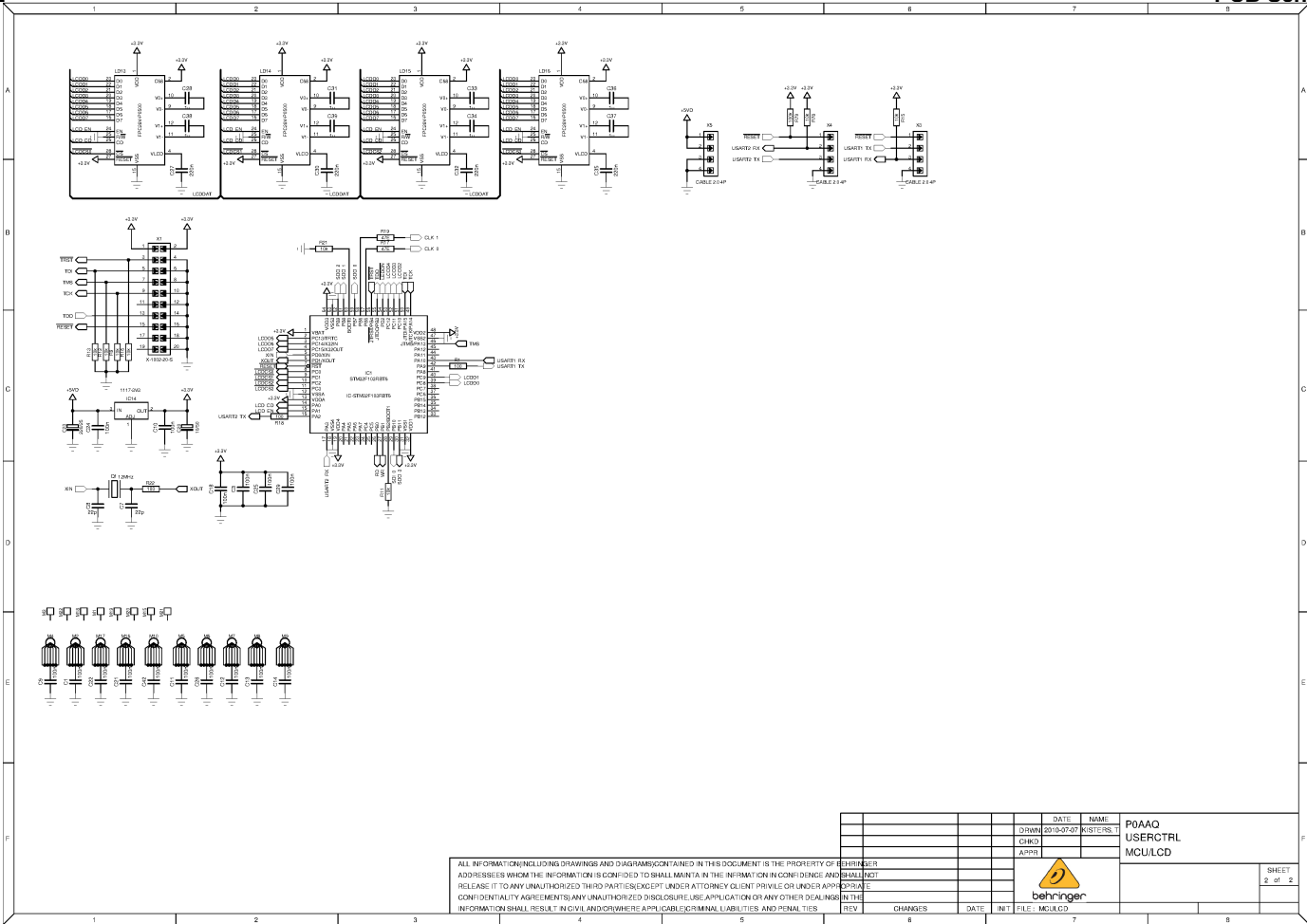
		SHEET 1 of 1
--	--	-----------------



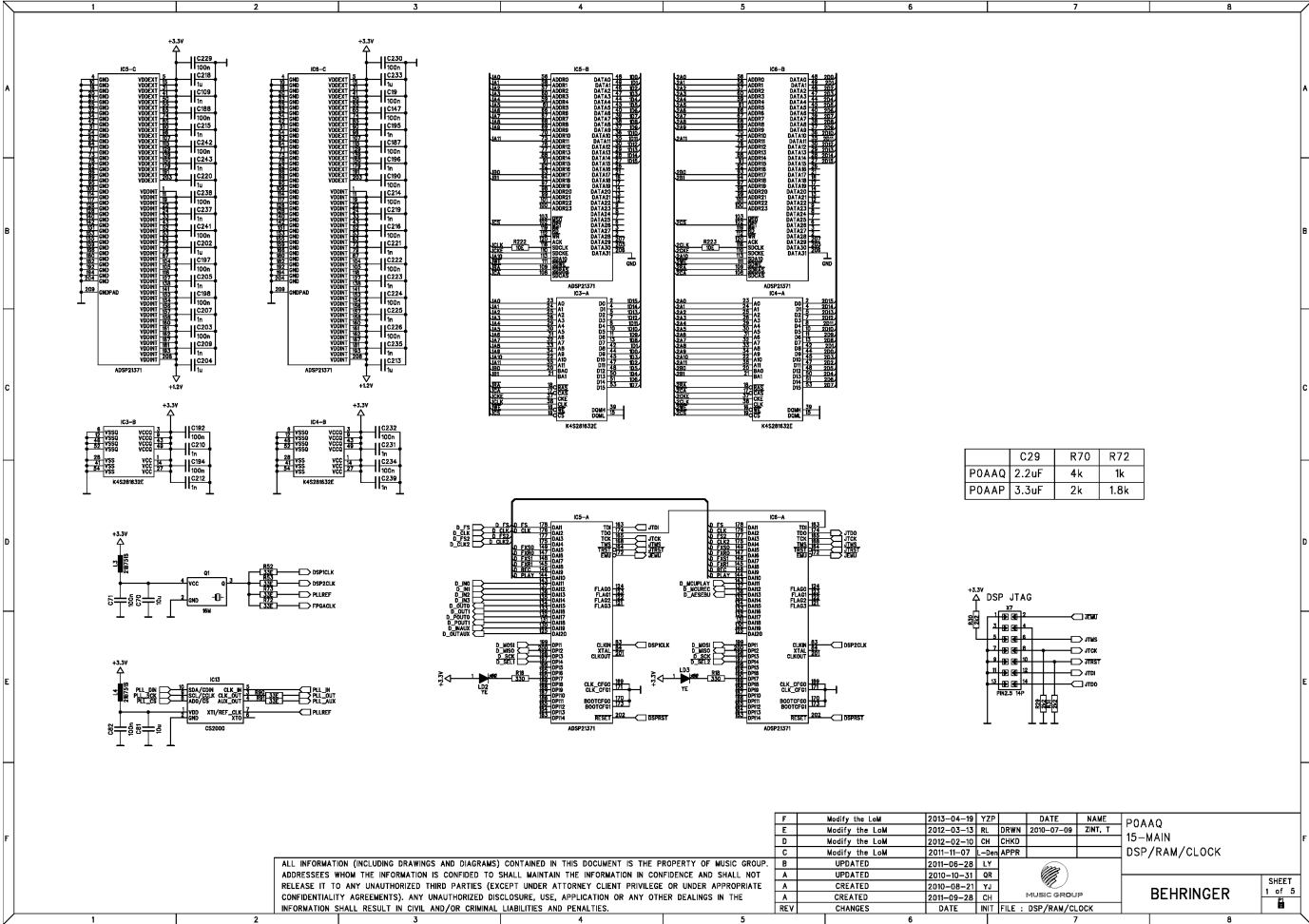
ALL INFORMATION INCLUDING DRAWINGS AND DIAGRAMS CONTAINED IN THIS DOCUMENT IS THE PROPERTY OF BEHRINGER. IT IS TO BE KEPT CONFIDENTIAL AND NOT TO BE RELEASED TO ANY UNAUTHORIZED THIRD PARTY WITHOUT THE WRITTEN PERMISSION OF BEHRINGER. BEHRINGER SHALL NOT BE LIABLE FOR ANY DAMAGES, INCLUDING CONSEQUENTIAL DAMAGES, ARISING FROM THE USE OF THIS DOCUMENT. BEHRINGER SHALL NOT BE LIABLE FOR ANY DAMAGES, INCLUDING CONSEQUENTIAL DAMAGES, ARISING FROM THE USE OF THIS DOCUMENT.

REV	CHANGES	DATE	INT	FILE	DATE	NAME	POAAQ USERCTRL UI ELEMENTS
E	UPDATED	2012-03-15	LY	CHNO	2010-07-07	KISTERS	
D	UPDATED	2012-02-15	LY	ADPH			
C	UPDATED	2011-11-15	LY				
B	UPDATED	2011-06-23	LY				
A	UPDATED	2010-11-08	LY				
	CREATED	2010-08-17	LY				

behringer







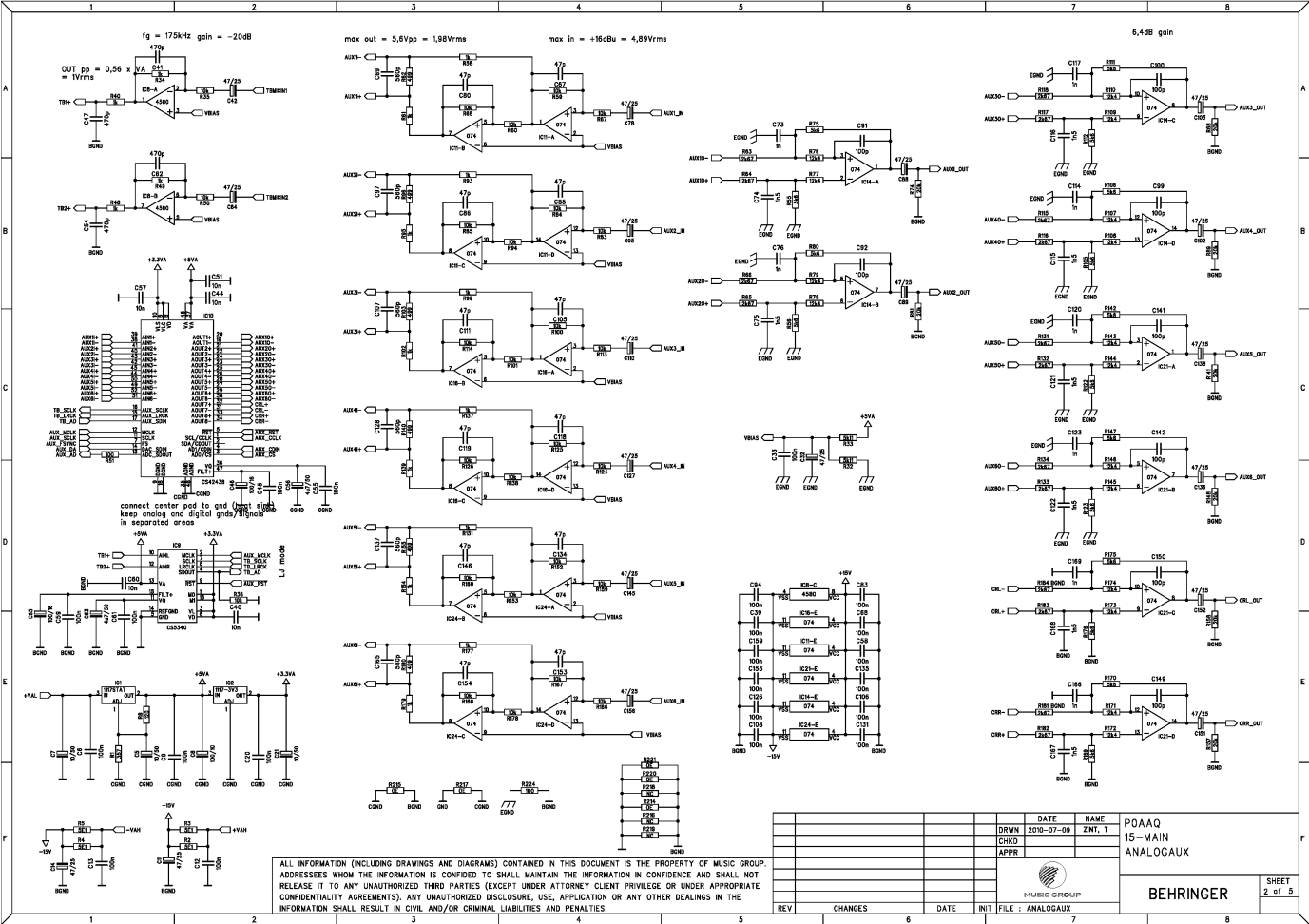
ALL INFORMATION (INCLUDING DRAWINGS AND DIAGRAMS) CONTAINED IN THIS DOCUMENT IS THE PROPERTY OF MUSIC GROUP. ADDRESSEES WHOM THE INFORMATION IS CONFIDED TO SHALL MAINTAIN THE INFORMATION IN CONFIDENCE AND SHALL NOT RELEASE IT TO ANY UNAUTHORIZED THIRD PARTIES (EXCEPT UNDER ATTORNEY CLIENT PRIVILEGE OR UNDER APPROPRIATE CONFIDENTIALITY AGREEMENTS). ANY UNAUTHORIZED DISCLOSURE, USE, APPLICATION OR ANY OTHER DEALINGS IN THE INFORMATION SHALL RESULT IN CIVIL AND/OR CRIMINAL LIABILITIES AND PENALTIES.

REV	CHANGES	DATE	INIT	FILE : DSP/AM/CLOCK
F	Modify the LoM	2013-04-18	YZP	
E	Modify the LoM	2012-03-13	RL BRWN	2010-07-09 ZINT, T
D	Modify the LoM	2012-02-10	CH	CHKO
C	Modify the LoM	2011-11-07	L-Dee	APPR
B	UPDATED	2011-08-28	LY	
A	UPDATED	2010-10-31	OR	
A	CREATED	2010-08-21	TJ	
A	CREATED	2011-09-28	CH	

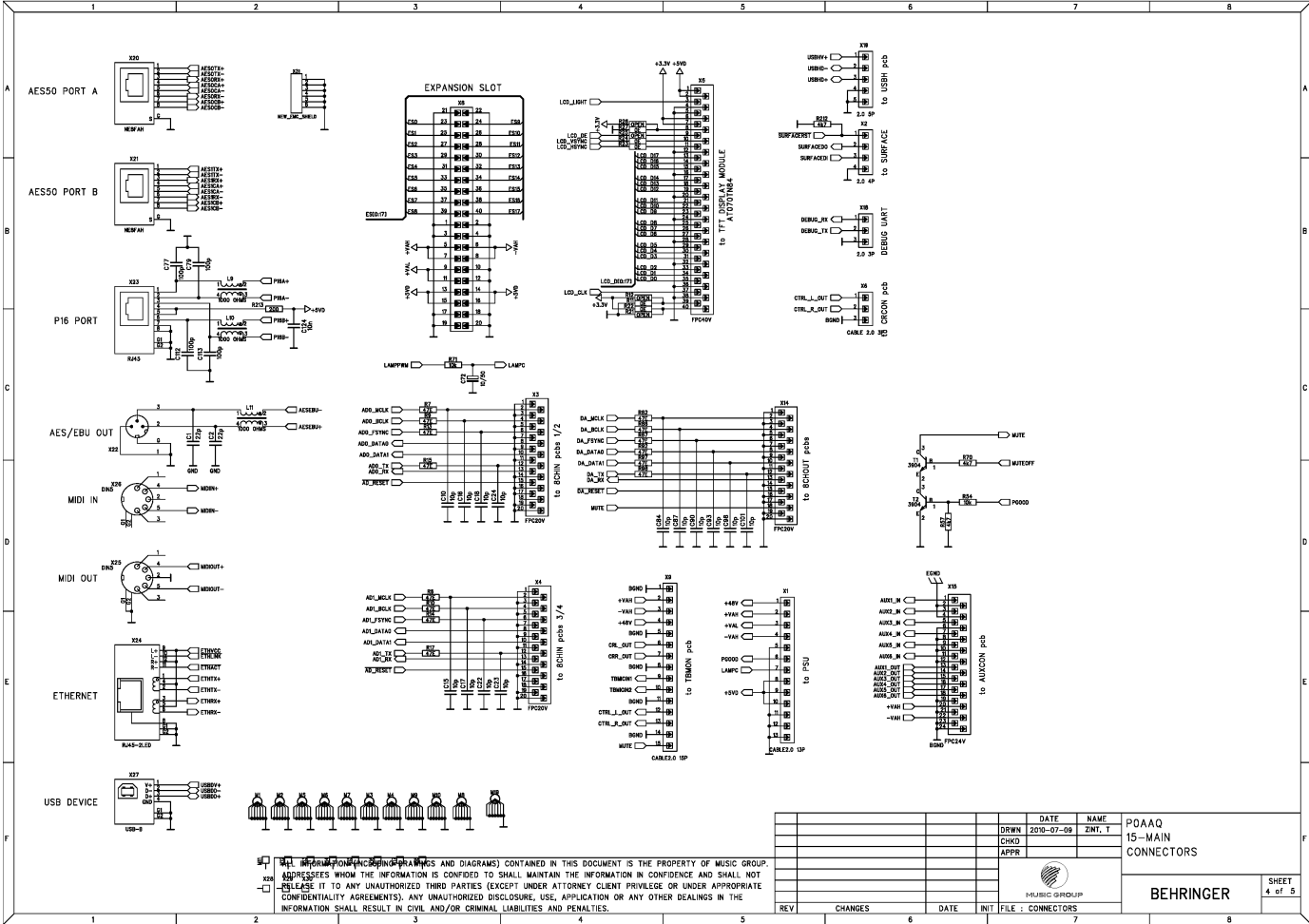
MUSIC GROUP

BEHRINGER

SHEET 1 of 5





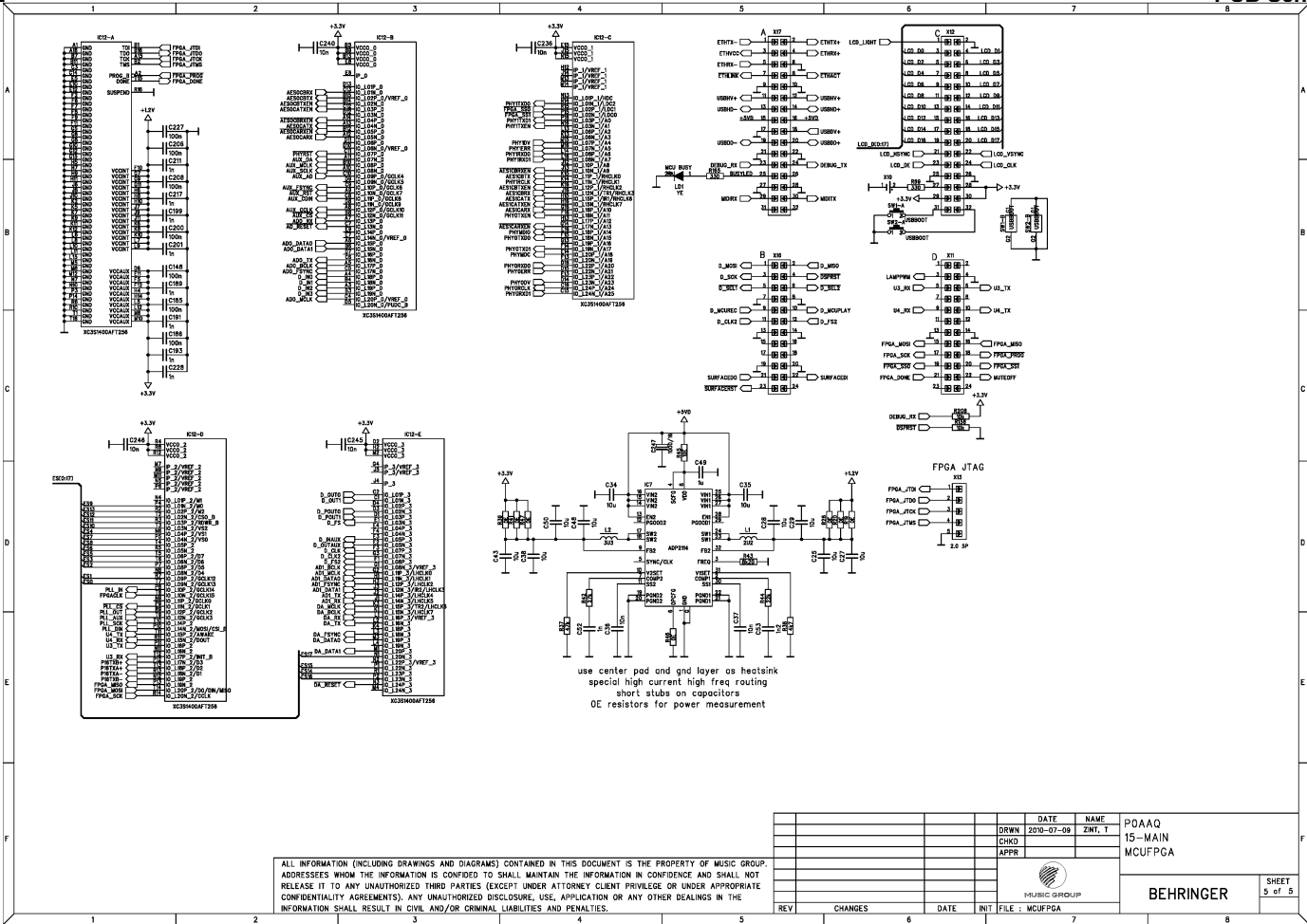


ALL INFORMATION (TEXT, TABLES AND DIAGRAMS) CONTAINED IN THIS DOCUMENT IS THE PROPERTY OF MUSIC GROUP. ADDRESSEES WHOM THE INFORMATION IS CONFIDED TO SHALL MAINTAIN THE INFORMATION IN CONFIDENCE AND SHALL NOT RELEASE IT TO ANY UNAUTHORIZED THIRD PARTIES (EXCEPT UNDER ATTORNEY CLIENT PRIVILEGE OR UNDER APPROPRIATE CONFIDENTIALITY AGREEMENTS). ANY UNAUTHORIZED DISCLOSURE, USE, APPLICATION OR ANY OTHER DEALINGS IN THE INFORMATION SHALL RESULT IN CIVIL AND/OR CRIMINAL LIABILITIES AND PENALTIES.

REV	CHANGES	DATE	INIT	FILE	CONNECTORS

DATE	NAME	POAAQ
2010-07-09	ZINT, T	15-MAIN
CHKD		CONNECTORS
APPR		

MUSIC GROUP	BEHRINGER	SHEET 4 of 5
-------------	-----------	--------------



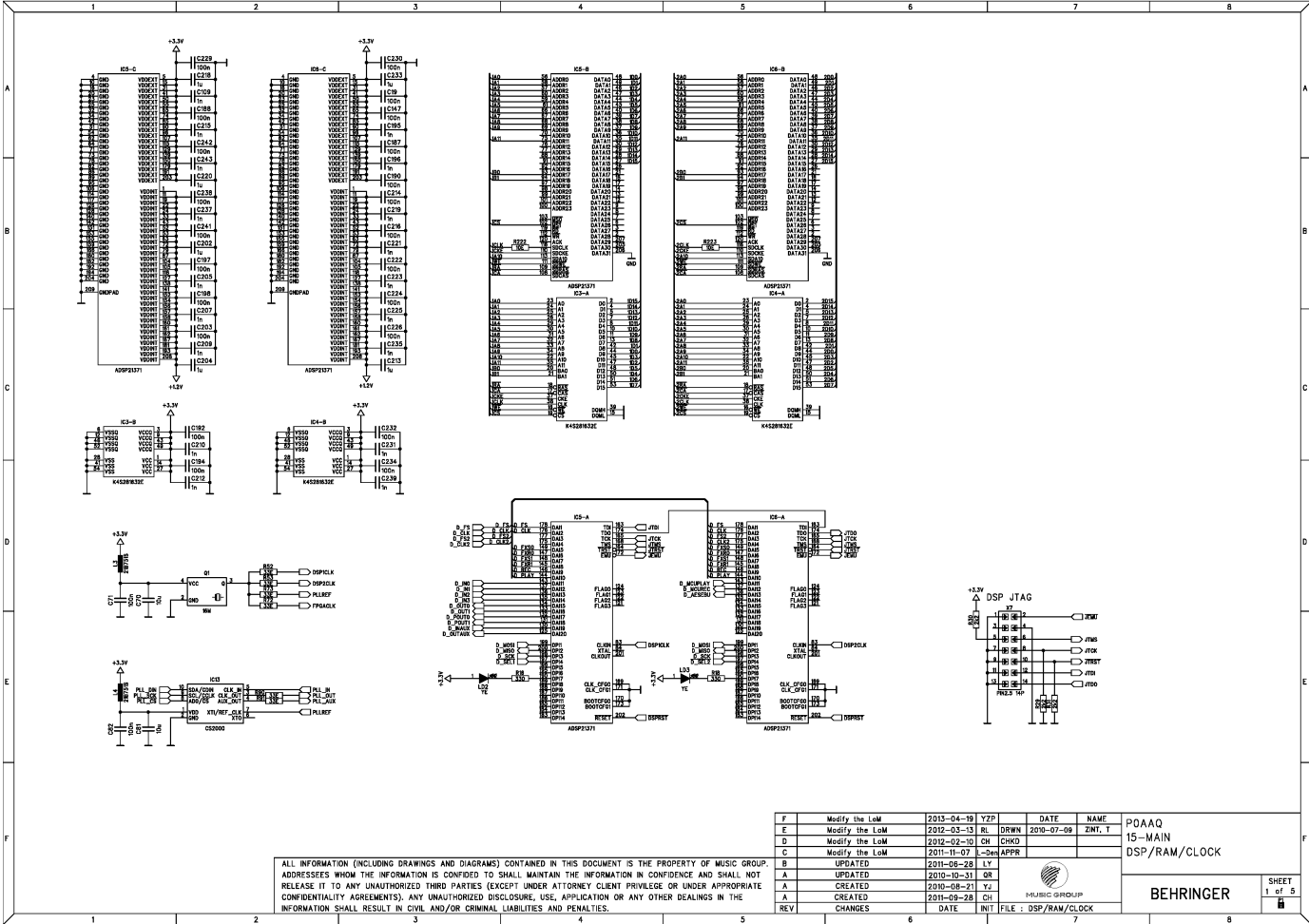
ALL INFORMATION (INCLUDING DRAWINGS AND DIAGRAMS) CONTAINED IN THIS DOCUMENT IS THE PROPERTY OF MUSIC GROUP. ADDRESSES WHOM THE INFORMATION IS CONFIDED TO SHALL MAINTAIN THE INFORMATION IN CONFIDENCE AND SHALL NOT RELEASE IT TO ANY UNAUTHORIZED THIRD PARTIES (EXCEPT UNDER ATTORNEY CLIENT PRIVILEGE OR UNDER APPROPRIATE CONFIDENTIALITY AGREEMENTS). ANY UNAUTHORIZED DISCLOSURE, USE, APPLICATION OR ANY OTHER DEALINGS IN THE INFORMATION SHALL RESULT IN CIVIL AND/OR CRIMINAL LIABILITIES AND PENALTIES.

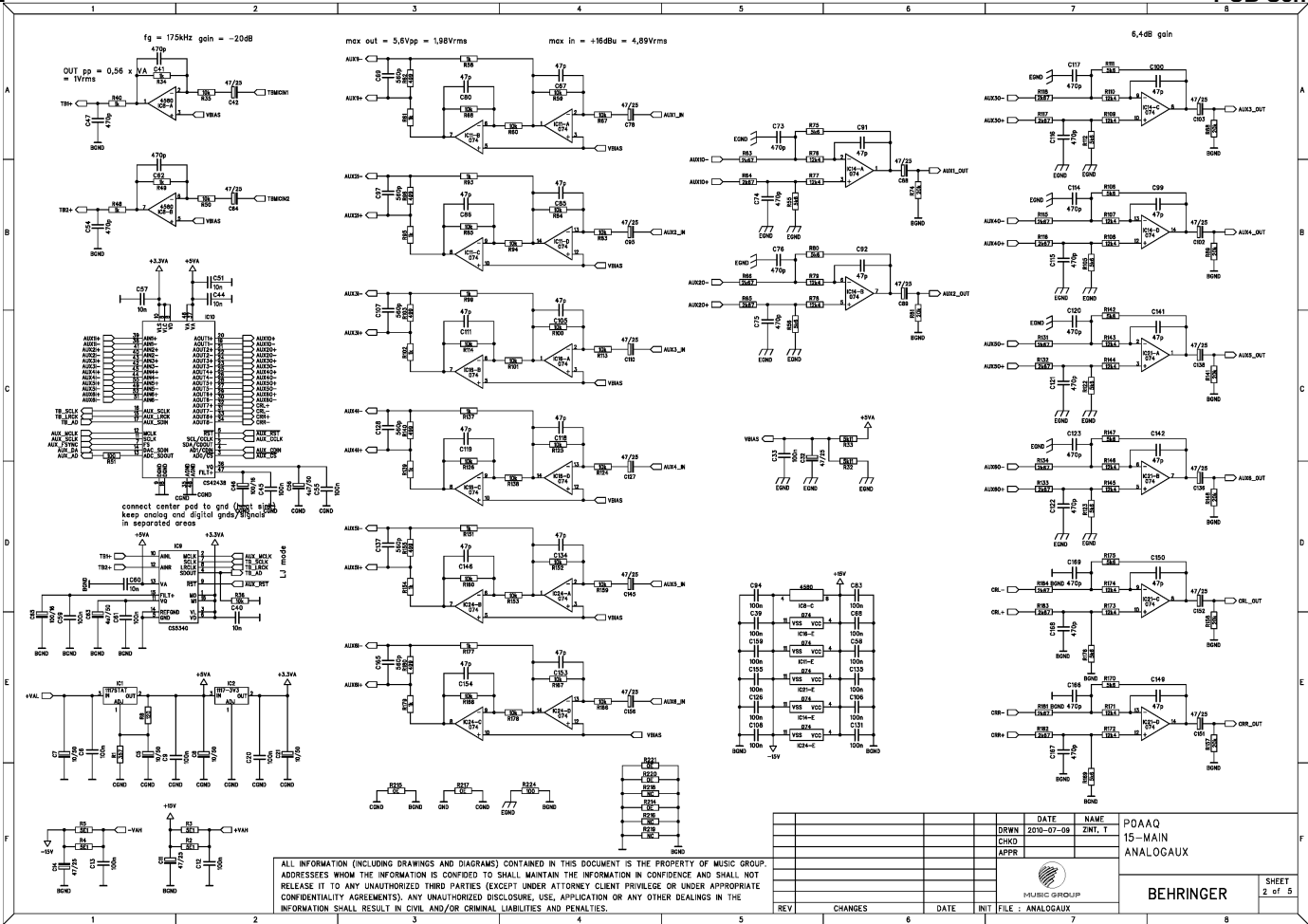
DATE	NAME	POAAQ
2010-07-08	ZINT, T	15-MAIN
		MCUFPGA



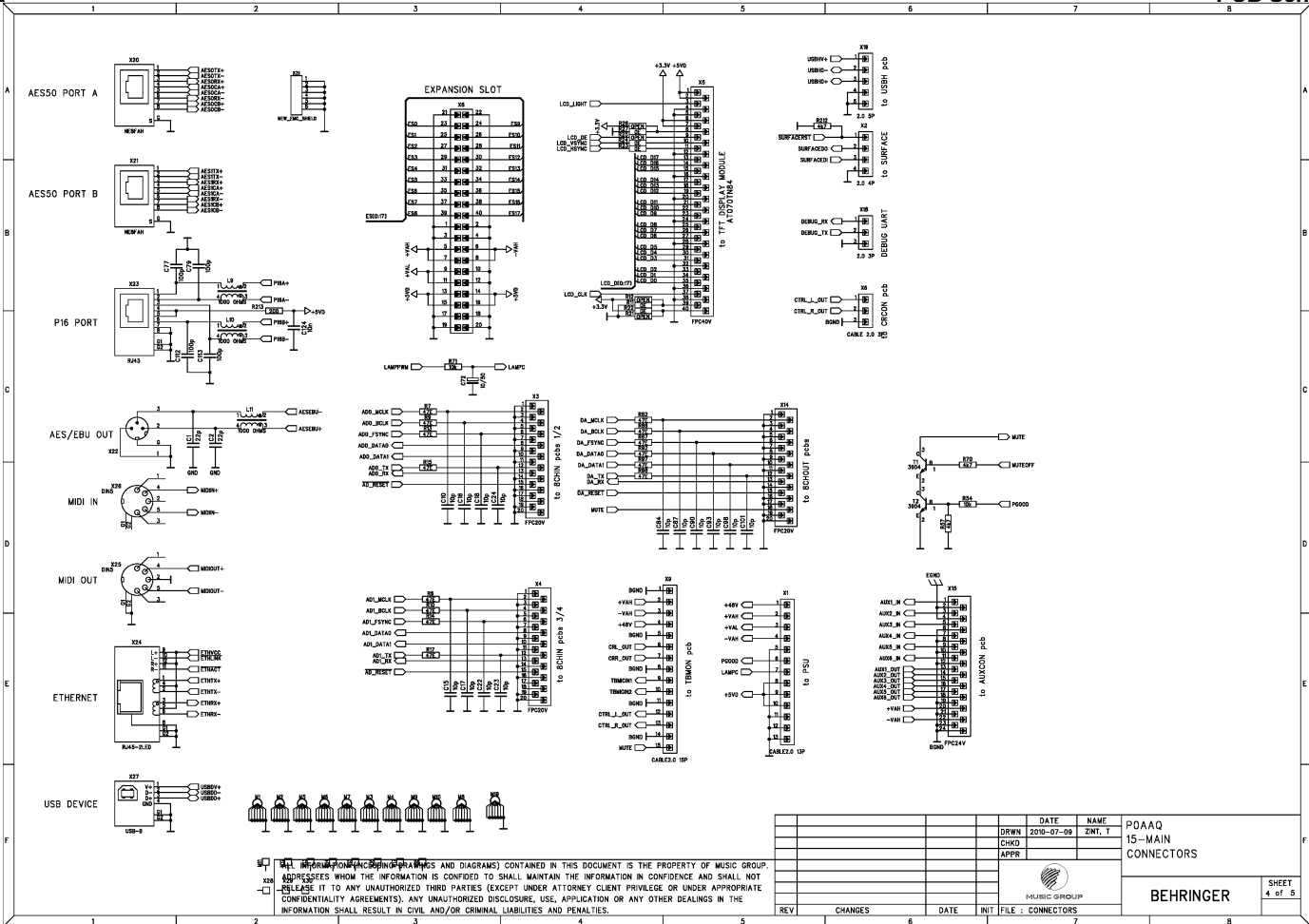
BEHRINGER

SHEET 5 of 5









ALL INFORMATION (TEXT, TABLES AND DIAGRAMS) CONTAINED IN THIS DOCUMENT IS THE PROPERTY OF MUSIC GROUP. ADDRESSEES WHOM THE INFORMATION IS CONFIDED TO SHALL MAINTAIN THE INFORMATION IN CONFIDENCE AND SHALL NOT RELEASE IT TO ANY UNAUTHORIZED THIRD PARTIES (EXCEPT UNDER ATTORNEY CLIENT PRIVILEGE OR UNDER APPROPRIATE CONFIDENTIALITY AGREEMENTS). ANY UNAUTHORIZED DISCLOSURE, USE, APPLICATION OR ANY OTHER DEALINGS IN THE INFORMATION SHALL RESULT IN CIVIL AND/OR CRIMINAL LIABILITIES AND PENALTIES.

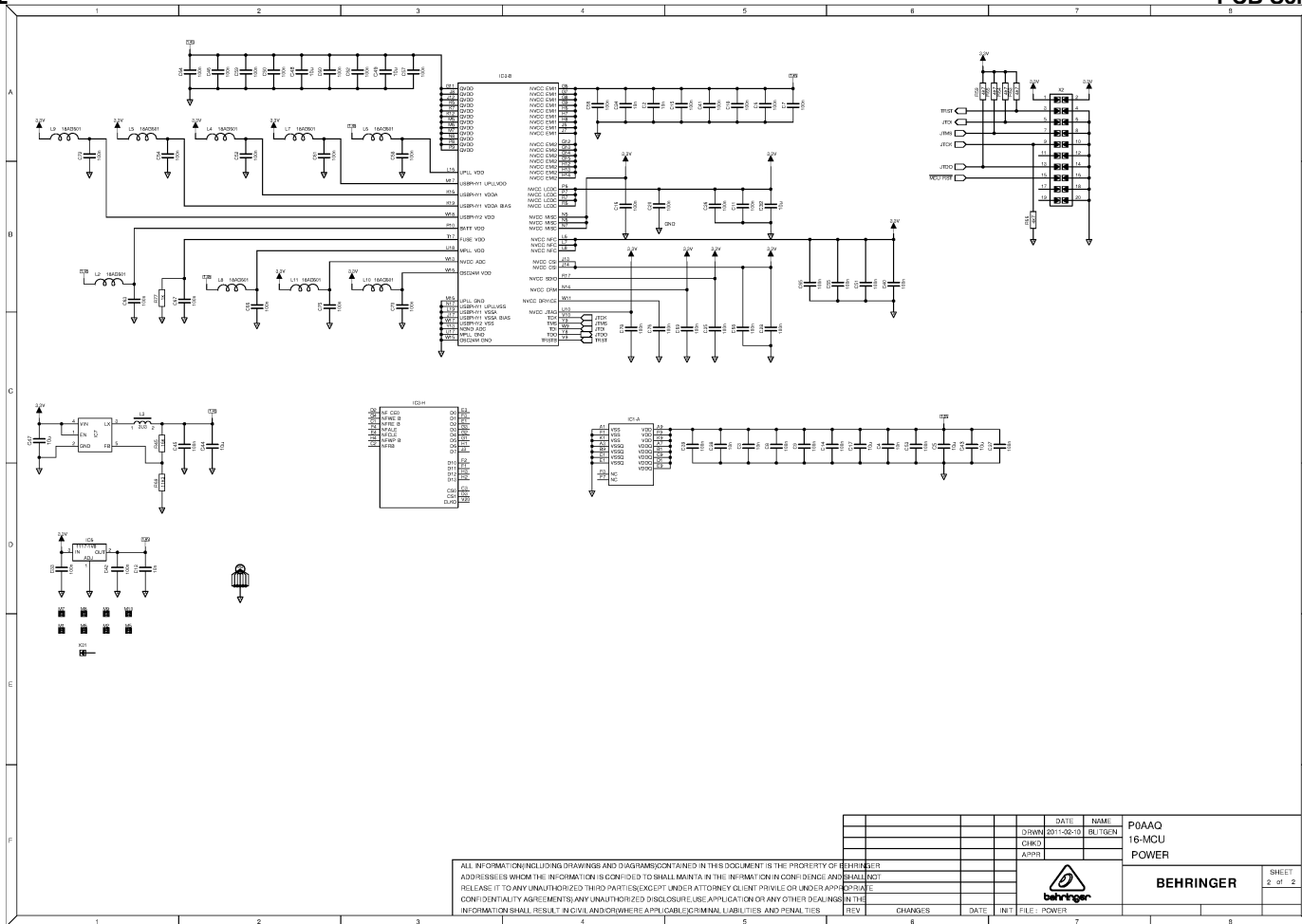
REV	CHANGES	DATE	INIT	FILE	CONNECTORS

DATE	NAME	POAAQ
2010-07-09	ZINT, T	15-MAIN
		CONNECTORS

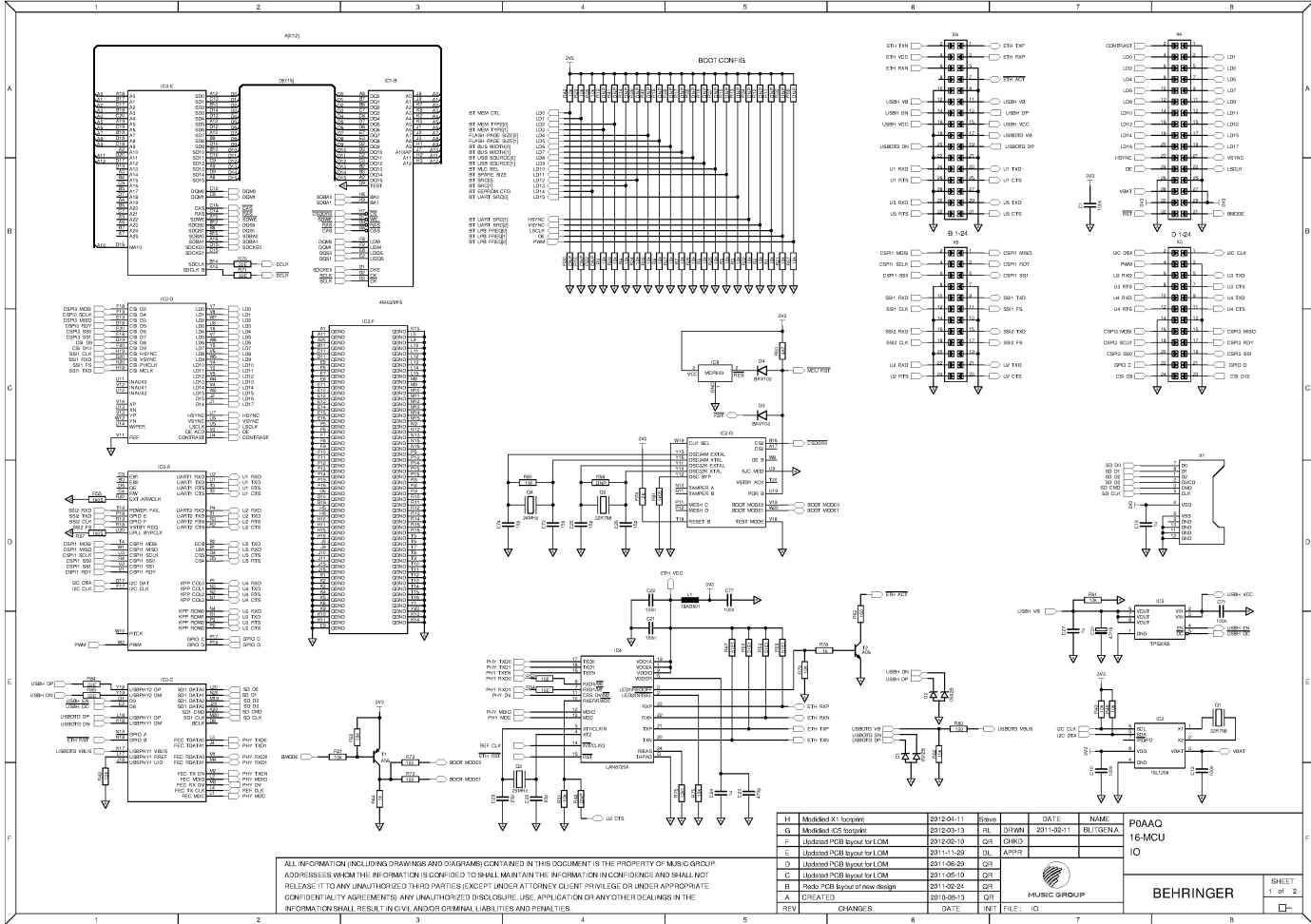
MUSIC GROUP	BEHRINGER	SHEET 4 of 5
-------------	-----------	--------------







ALL INFORMATION INCLUDING DRAWINGS AND DIAGRAMS CONTAINED IN THIS DOCUMENT IS THE PROPERTY OF BEHRINGER. ADDRESSES WHOM THE INFORMATION IS CONFIDED TO SHALL MAINTAIN THE INFORMATION IN CONFIDENCE AND SHALL NOT RELEASE IT TO ANY UNAUTHORIZED THIRD PARTY WITHOUT THE WRITTEN PERMISSION OF BEHRINGER. BEHRINGER SHALL NOT BE LIABLE FOR ANY DAMAGES, INCLUDING CONSEQUENTIAL DAMAGES, ARISING FROM THE USE OF THIS INFORMATION. BEHRINGER SHALL NOT BE LIABLE FOR ANY DAMAGES, INCLUDING CONSEQUENTIAL DAMAGES, ARISING FROM THE USE OF THIS INFORMATION.		DATE: 2011-06-10	NAME: BLTGEN	P0AAQ 16-MCU POWER	SHEET 2 of 2
CONFIDENTIALITY AGREEMENTS, ANY UNAUTHORIZED DISCLOSURE, USE, APPLICATION OF ANY OTHER DEALINGS IN THE INFORMATION SHALL RESULT IN CIVIL AND/OR WHERE APPLICABLE CRIMINAL LIABILITIES AND PENALTIES.		DATE: 2011-06-10	NAME: BLTGEN	BEHRINGER	



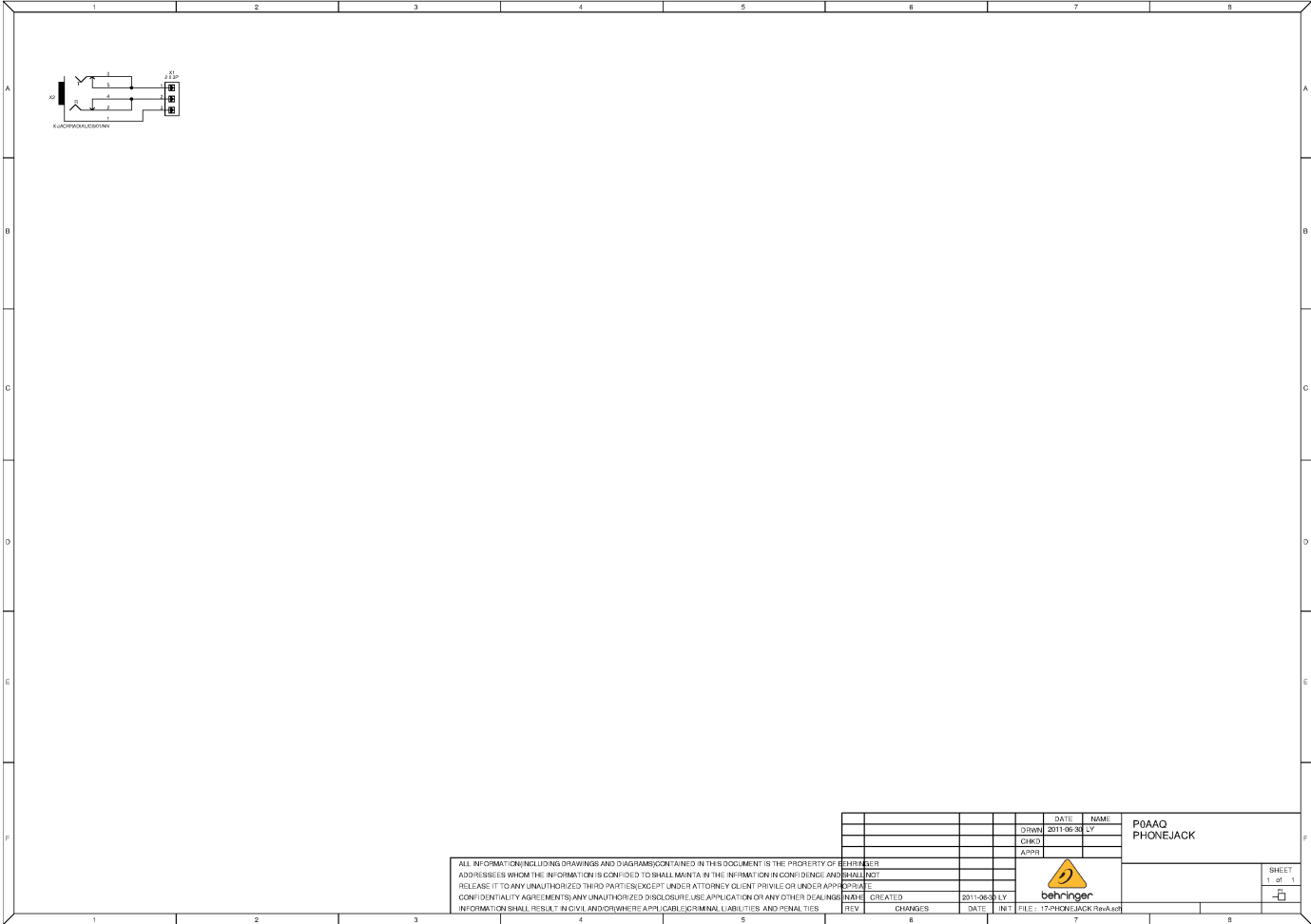
ALL INFORMATION (INCLUDING DRAWINGS AND DIAGRAMS) CONTAINED IN THIS DOCUMENT IS THE PROPERTY OF MUSIC GROUP. ADDRESSEES WHOM THE INFORMATION IS CONFIDENTIAL SHALL MAINTAIN THE INFORMATION IN CONFIDENCE AND SHALL NOT RELEASE IT TO ANY UNAUTHORIZED THIRD PARTIES (EXCEPT UNDER ATTORNEY CLIENT PRIVILEGE OR UNDER APPROPRIATE CONFIDENTIALITY AGREEMENTS) ANY UNAUTHORIZED DISCLOSURE, USE, APPLICATION OR ANY OTHER DEALINGS IN THE INFORMATION SHALL RESULT IN CIVIL AND/OR CRIMINAL LIABILITIES AND PENALTIES.


REV	CHANGES	DATE	BY	FILE	ID
H	Modified X1 footprint	2012-04-11	Stave		
G	Modified CS footprint	2012-03-13	RL	DRWN	2011-02-11
F	Updated PCB layout for LOM	2012-02-19	CP	CMPO	
E	Updated PCB layout for LOM	2011-11-29	DL	APPR	
D	Updated PCB layout for LOM	2011-08-29	GR		
C	Updated PCB layout for LOM	2011-05-19	CP		
B	Final PCB layout of new design	2011-02-24	CP		
A	CREATED	2010-05-13	GR		

POAAQ  
16-MCU  
IO  
BEHRINGER

SHEET  
1 of 2

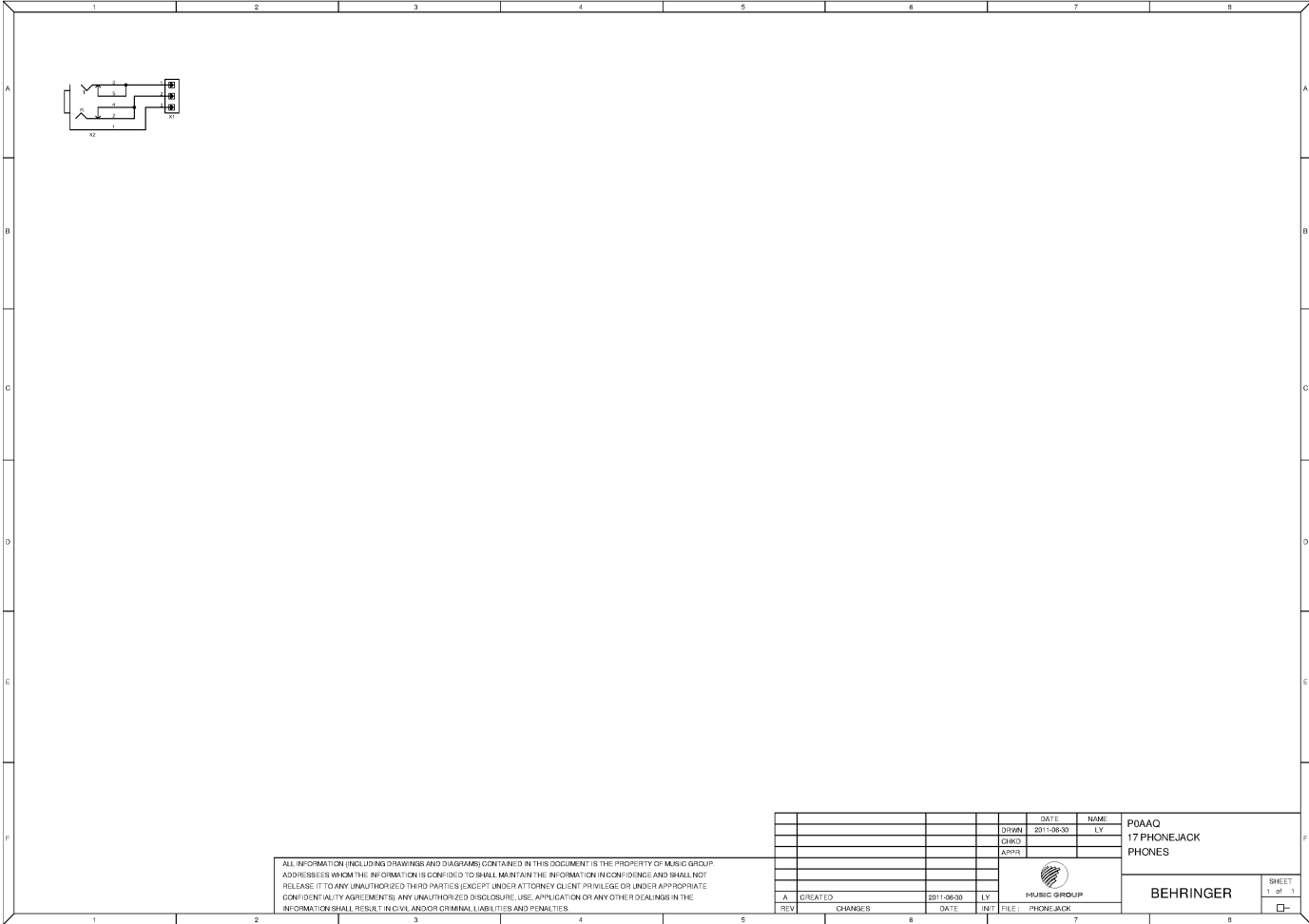


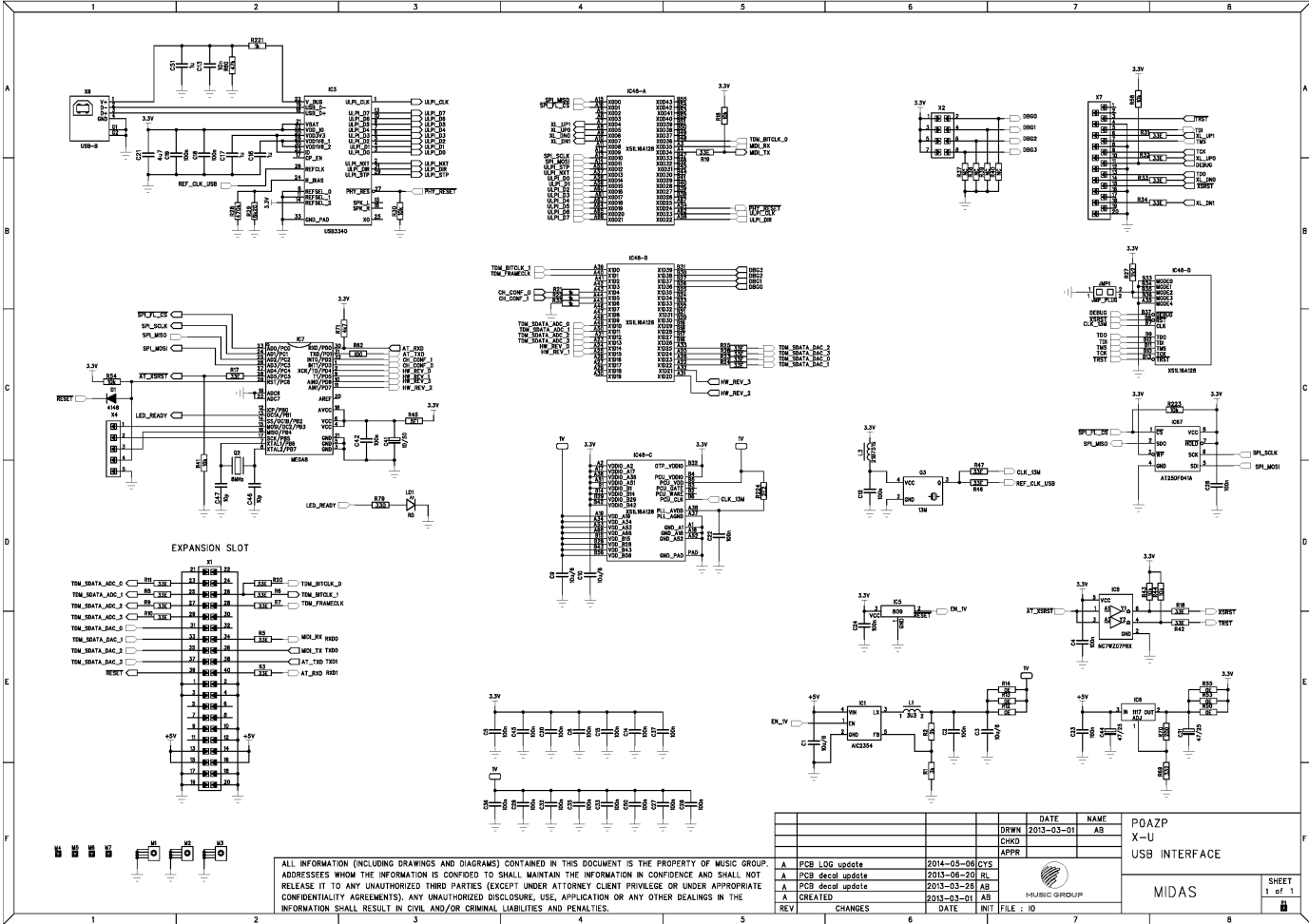


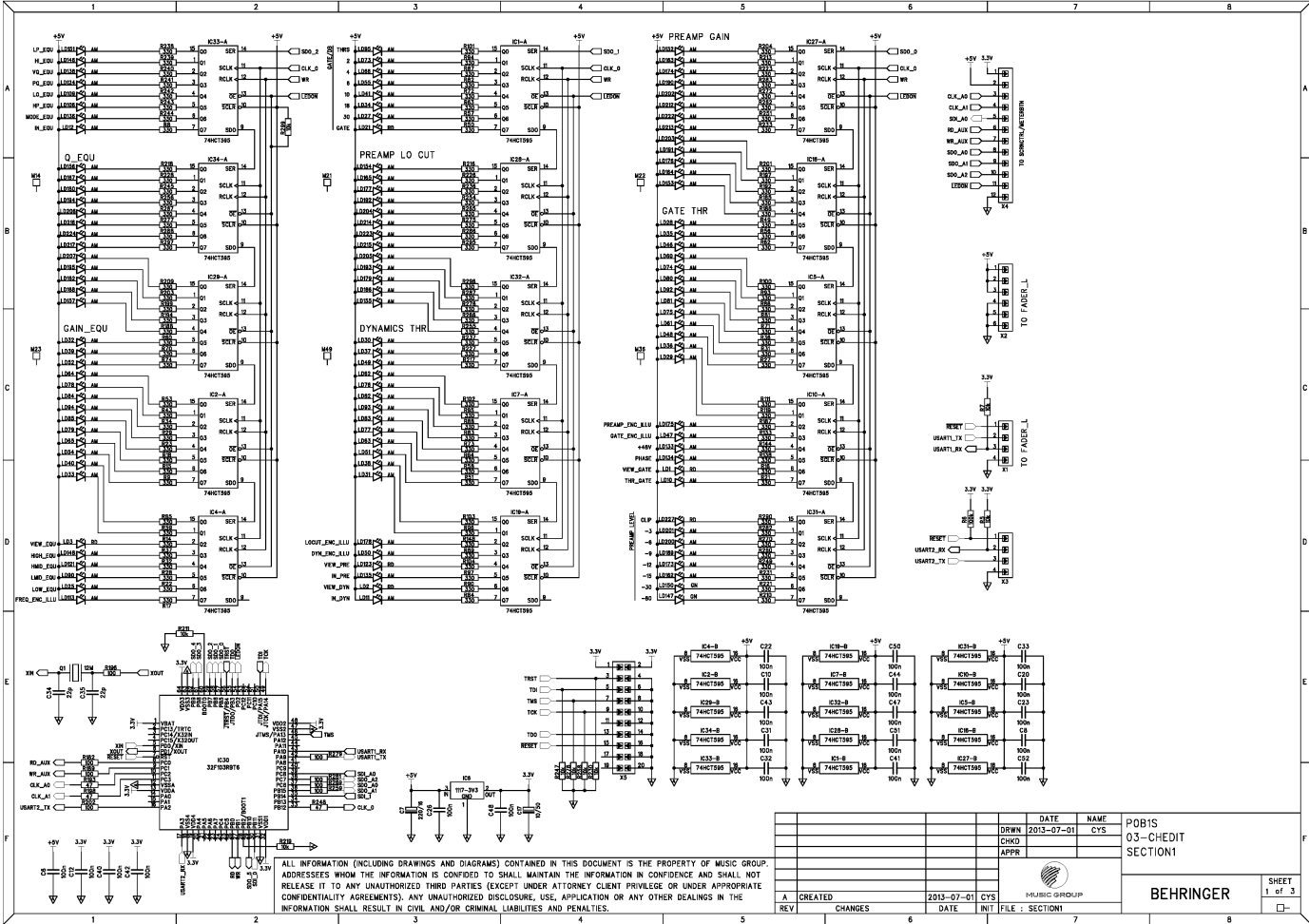
DATE		NAME	P0AAQ PHONEJACK	SHEET 1 of 1
2011-06-28	LV			
DRWN				
CHKD				
ADPR				
ALL INFORMATION INCLUDING DRAWINGS AND DIAGRAMS CONTAINED IN THIS DOCUMENT IS THE PROPERTY OF BEHRINGER				
ADDRESSES FROM WHICH THE INFORMATION IS CONFIDED TO SHALL MAINTAIN THE INFORMATION IN CONFIDENCE AND SHALL NOT				
RELEASE IT TO ANY UNAUTHORIZED THIRD PARTY WITHOUT THE WRITTEN PERMISSION OF BEHRINGER		DATE	INT	FILE
CONFIDENTIALITY AGREEMENTS. ANY UNAUTHORIZED DISCLOSURE, USE, APPLICATION OF ANY OTHER DEALINGS		2011-06-28	LV	17-PHONEJACK
INFORMATION SHALL RESULT IN CIVIL AND/OR WHERE APPLICABLE CRIMINAL LIABILITIES AND PENALTIES.		REV	CHANGES	DATE

X32

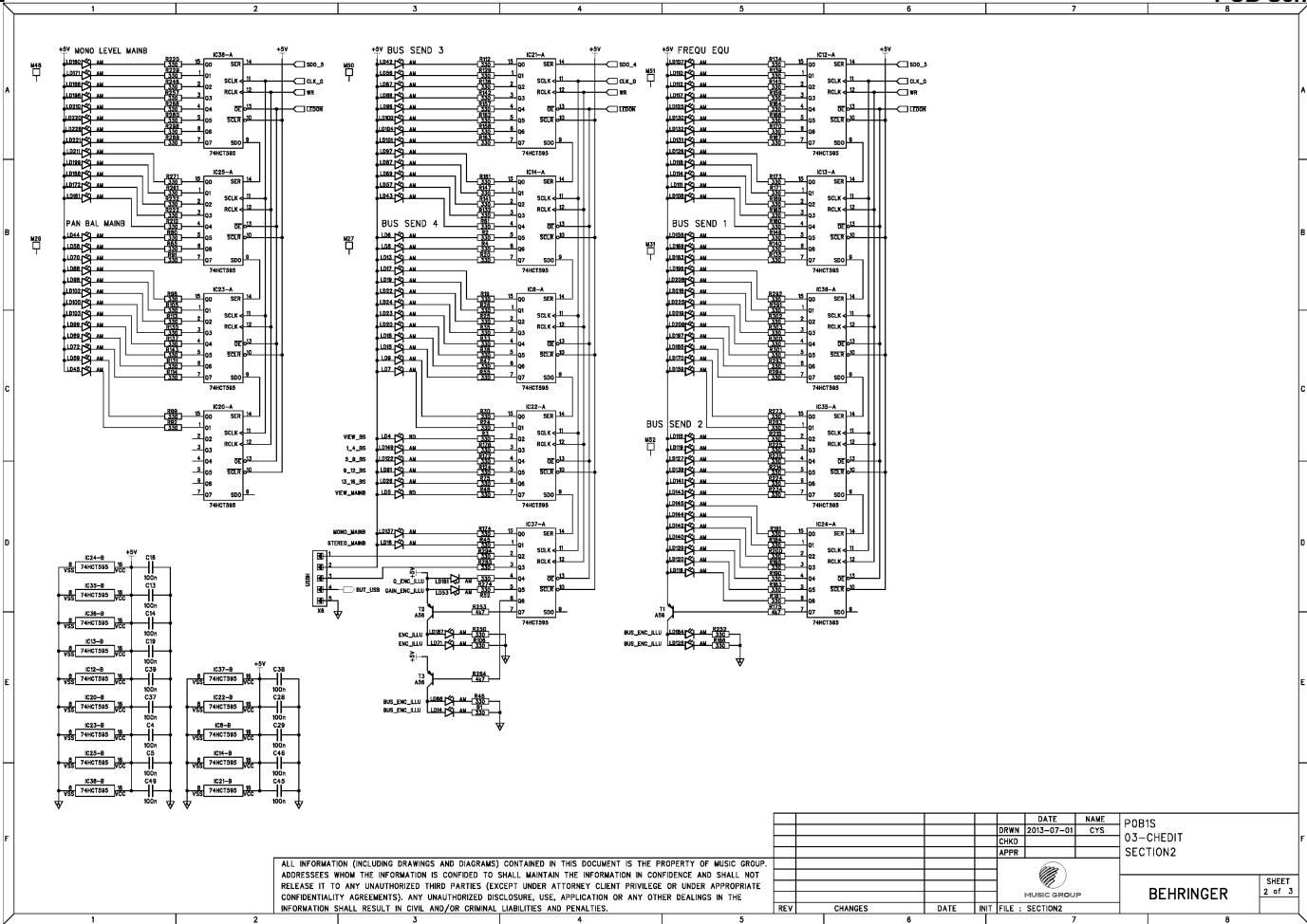
PCB Schematic







ALL INFORMATION (INCLUDING DRAWINGS AND DIAGRAMS) CONTAINED IN THIS DOCUMENT IS THE PROPERTY OF MUSIC GROUP ADDRESSEES WHOM THE INFORMATION IS CONFIDED TO SHALL MAINTAIN THE INFORMATION IN CONFIDENCE AND SHALL NOT RELEASE IT TO ANY UNAUTHORIZED THIRD PARTIES (EXCEPT UNDER ATTORNEY CLIENT PRIVILEGE OR UNDER APPROPRIATE CONFIDENTIALITY AGREEMENTS). ANY UNAUTHORIZED DISCLOSURE, USE, APPLICATION OR ANY OTHER DEALINGS IN THE INFORMATION SHALL RESULT IN CIVIL AND/OR CRIMINAL LIABILITIES AND PENALTIES.

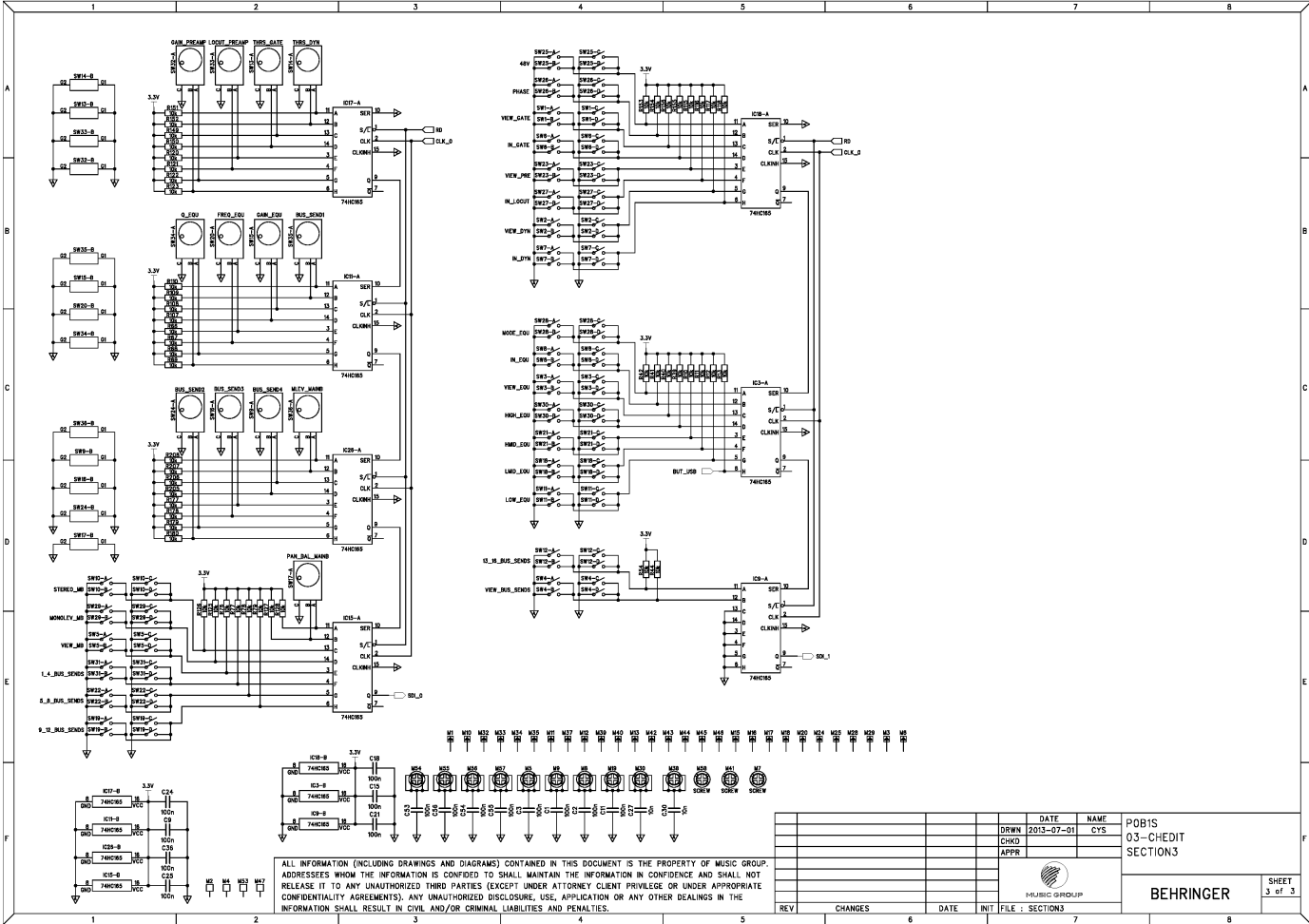


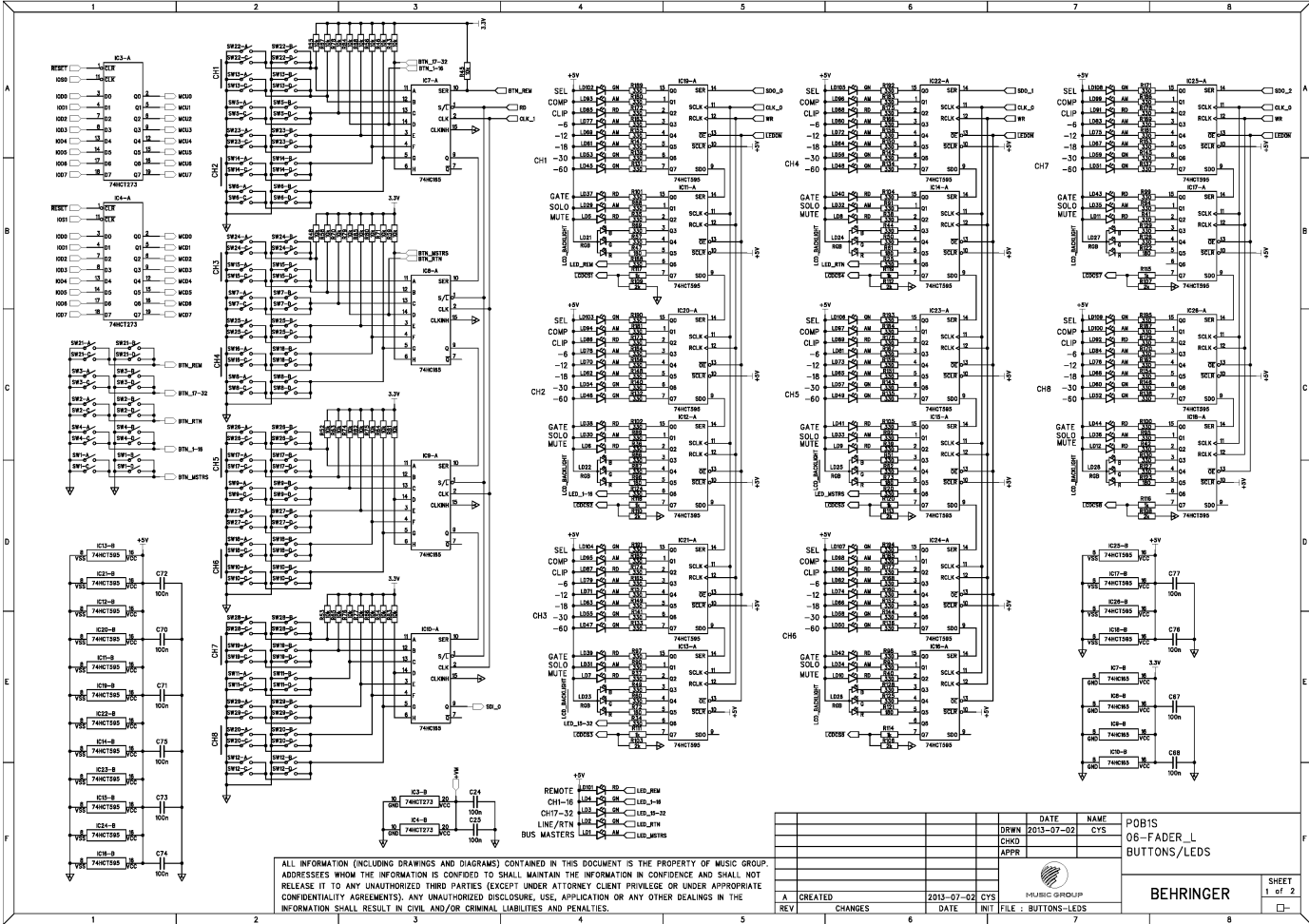
ALL INFORMATION (INCLUDING DRAWINGS AND DIAGRAMS) CONTAINED IN THIS DOCUMENT IS THE PROPERTY OF MUSIC GROUP ADDRESSEES WHOM THE INFORMATION IS CONFIDED TO SHALL MAINTAIN THE INFORMATION IN CONFIDENCE AND SHALL NOT RELEASE IT TO ANY UNAUTHORIZED THIRD PARTIES (EXCEPT UNDER ATTORNEY CLIENT PRIVILEGE OR UNDER APPROPRIATE CONFIDENTIALITY AGREEMENTS). ANY UNAUTHORIZED DISCLOSURE, USE, APPLICATION OR ANY OTHER DEALINGS IN THE INFORMATION SHALL RESULT IN CIVIL AND/OR CRIMINAL LIABILITIES AND PENALTIES.

REV	CHANGES	DATE	INIT	FILE	SECTION2

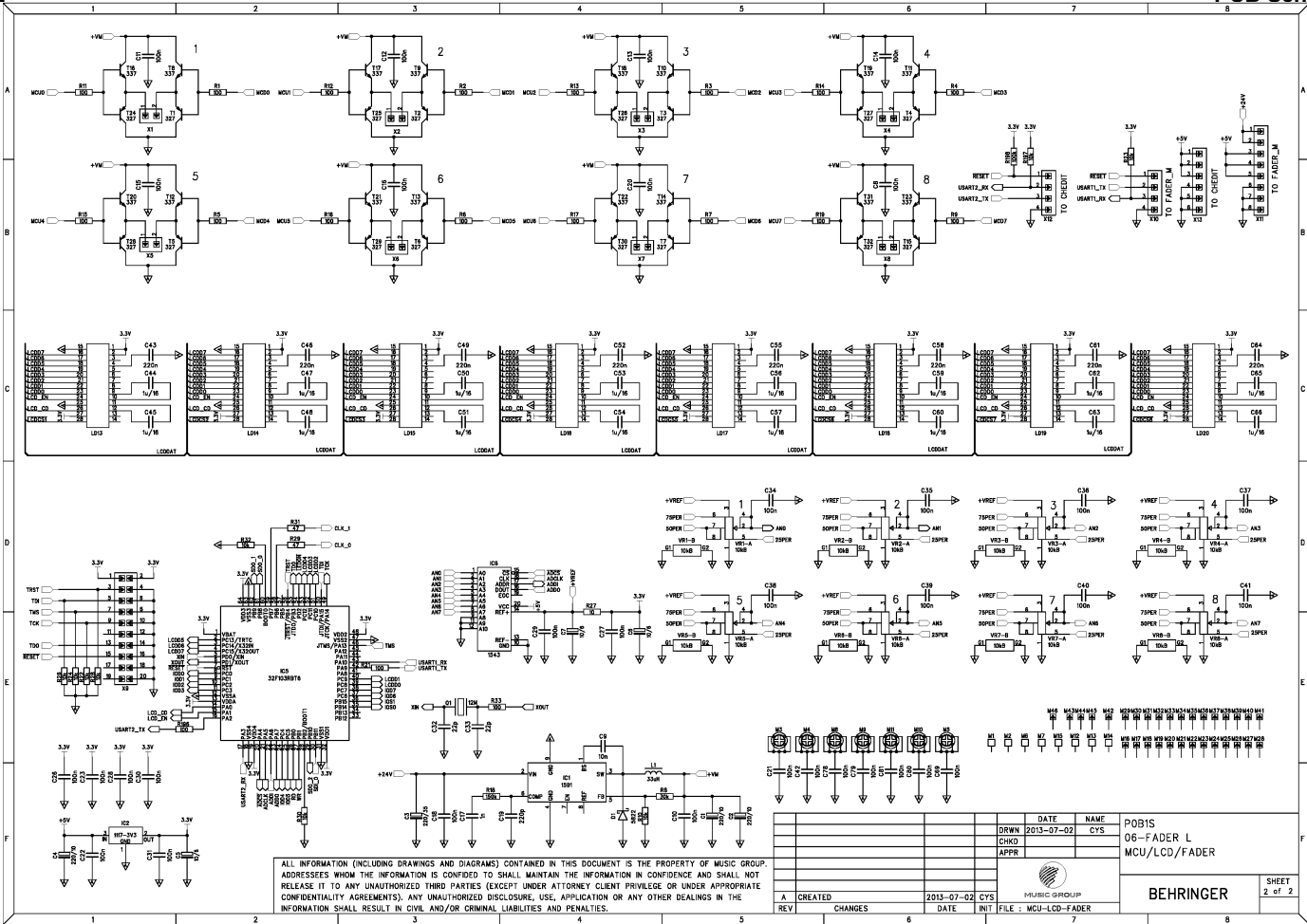
  

DATE	NAME	POBIS
2013-07-01	CYS	03-CHEdit
		SECTION2
		<b>BEHRINGER</b>
		SHEET 2 of 3





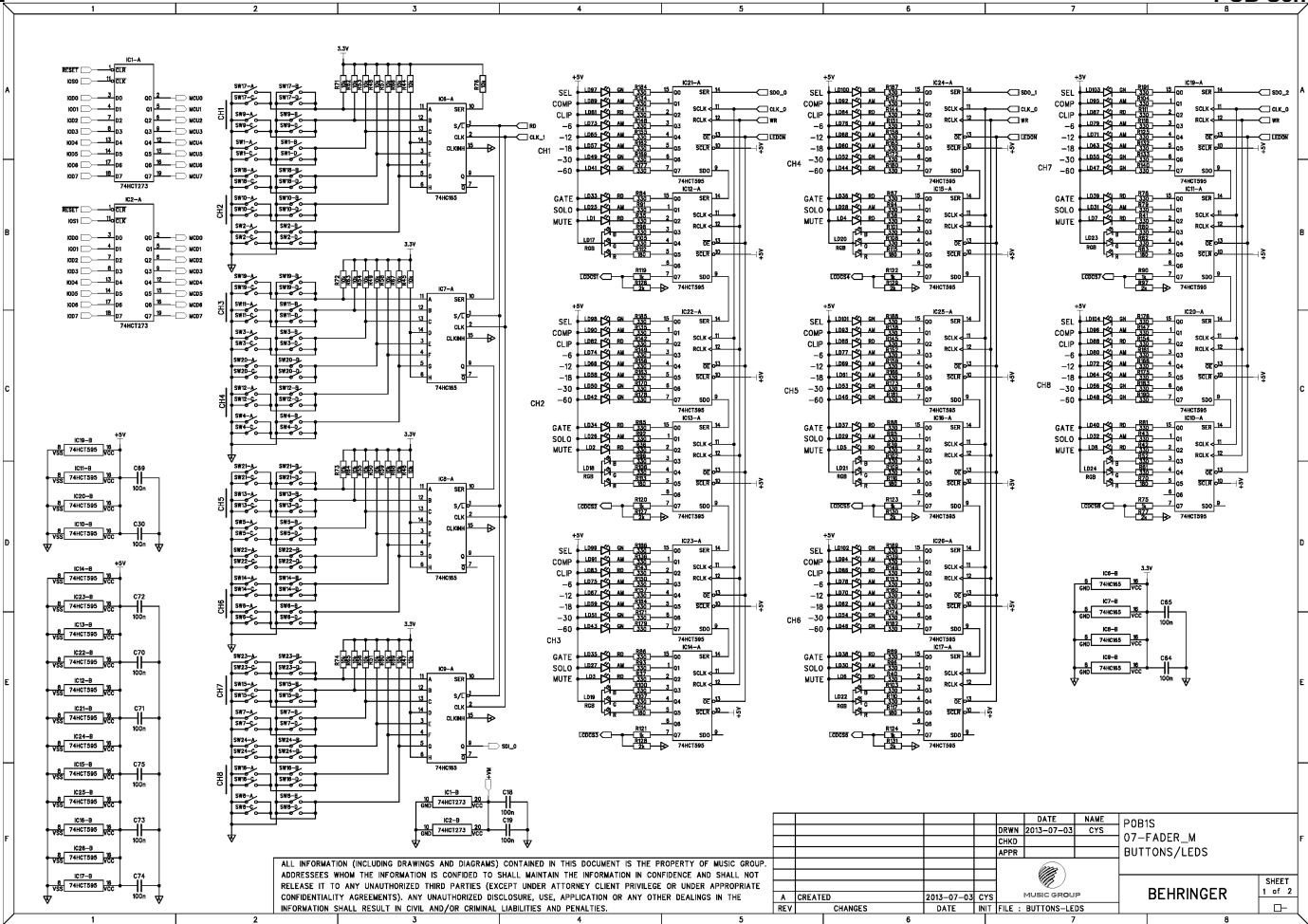
ALL INFORMATION (INCLUDING DRAWINGS AND DIAGRAMS) CONTAINED IN THIS DOCUMENT IS THE PROPERTY OF MUSIC GROUP ADDRESSEES WHOM THE INFORMATION IS CONFIRMED TO SHALL MAINTAIN THE INFORMATION IN CONFIDENCE AND SHALL NOT RELEASE IT TO ANY UNAUTHORIZED THIRD PARTIES (EXCEPT UNDER ATTORNEY CLIENT PRIVILEGE OR UNDER APPROPRIATE CONFIDENTIALITY AGREEMENTS). ANY UNAUTHORIZED DISCLOSURE, USE, APPLICATION OR ANY OTHER DEALINGS IN THE INFORMATION SHALL RESULT IN CIVIL AND/OR CRIMINAL LIABILITIES AND PENALTIES.

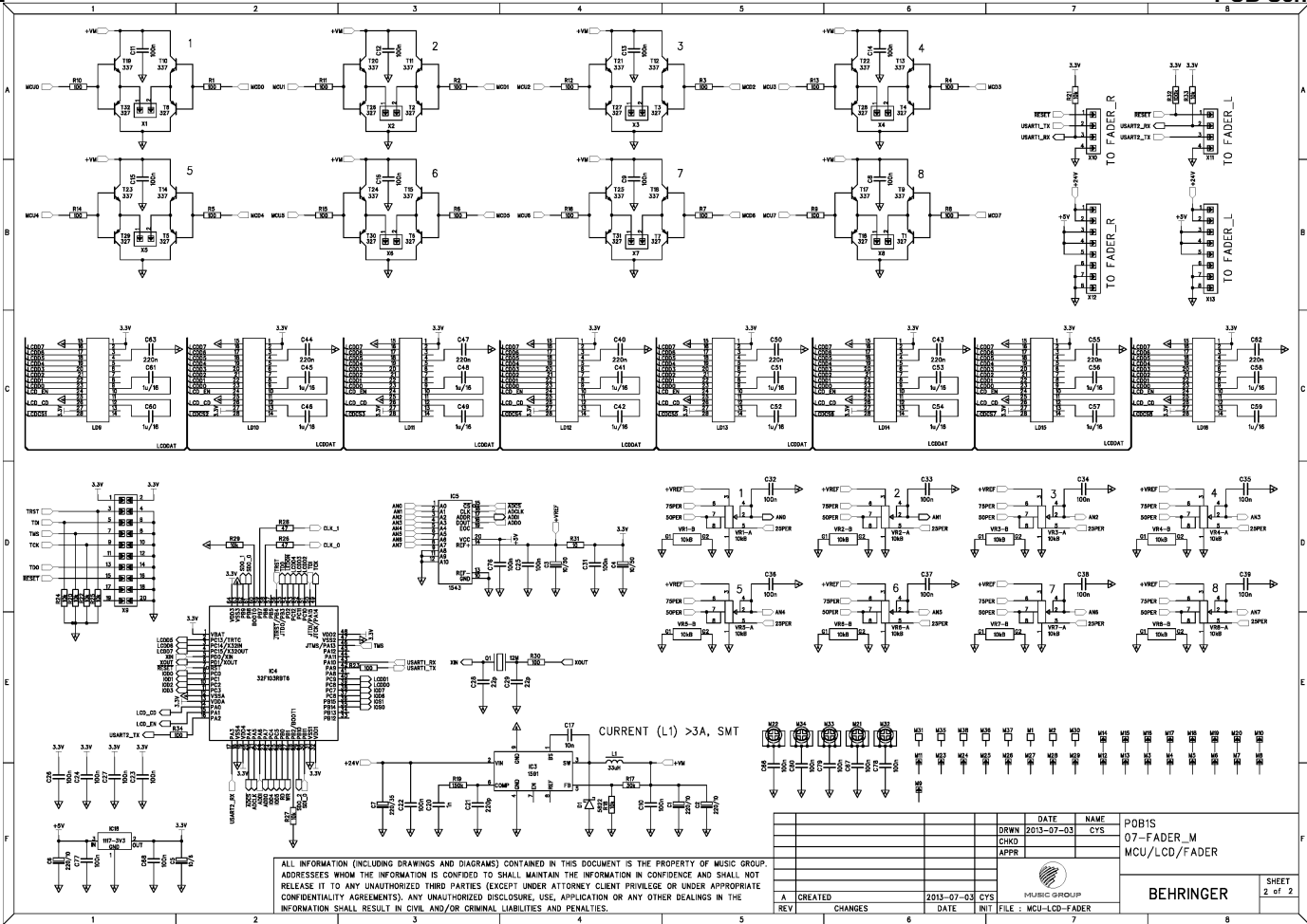


ALL INFORMATION (INCLUDING DRAWINGS AND DIAGRAMS) CONTAINED IN THIS DOCUMENT IS THE PROPERTY OF MUSIC GROUP ADDRESSEES WHOM THE INFORMATION IS CONFIDED TO SHALL MAINTAIN THE INFORMATION IN CONFIDENCE AND SHALL NOT RELEASE IT TO ANY UNAUTHORIZED THIRD PARTIES (EXCEPT UNDER ATTORNEY CLIENT PRIVILEGE OR UNDER APPROPRIATE CONFIDENTIALITY AGREEMENTS). ANY UNAUTHORIZED DISCLOSURE, USE, APPLICATION OR ANY OTHER DEALINGS IN THE INFORMATION SHALL RESULT IN CIVIL AND/OR CRIMINAL LIABILITIES AND PENALTIES.

REV	DATE	INIT	FILE	NAME	DESCRIPTION
A	2013-07-02	CYS	MCU-LCD-FADER	POBIS	06-FADER L
REV	CHANGES	DATE	INIT	FILE	NAME

BEHRINGER  
SHEET 2 of 2





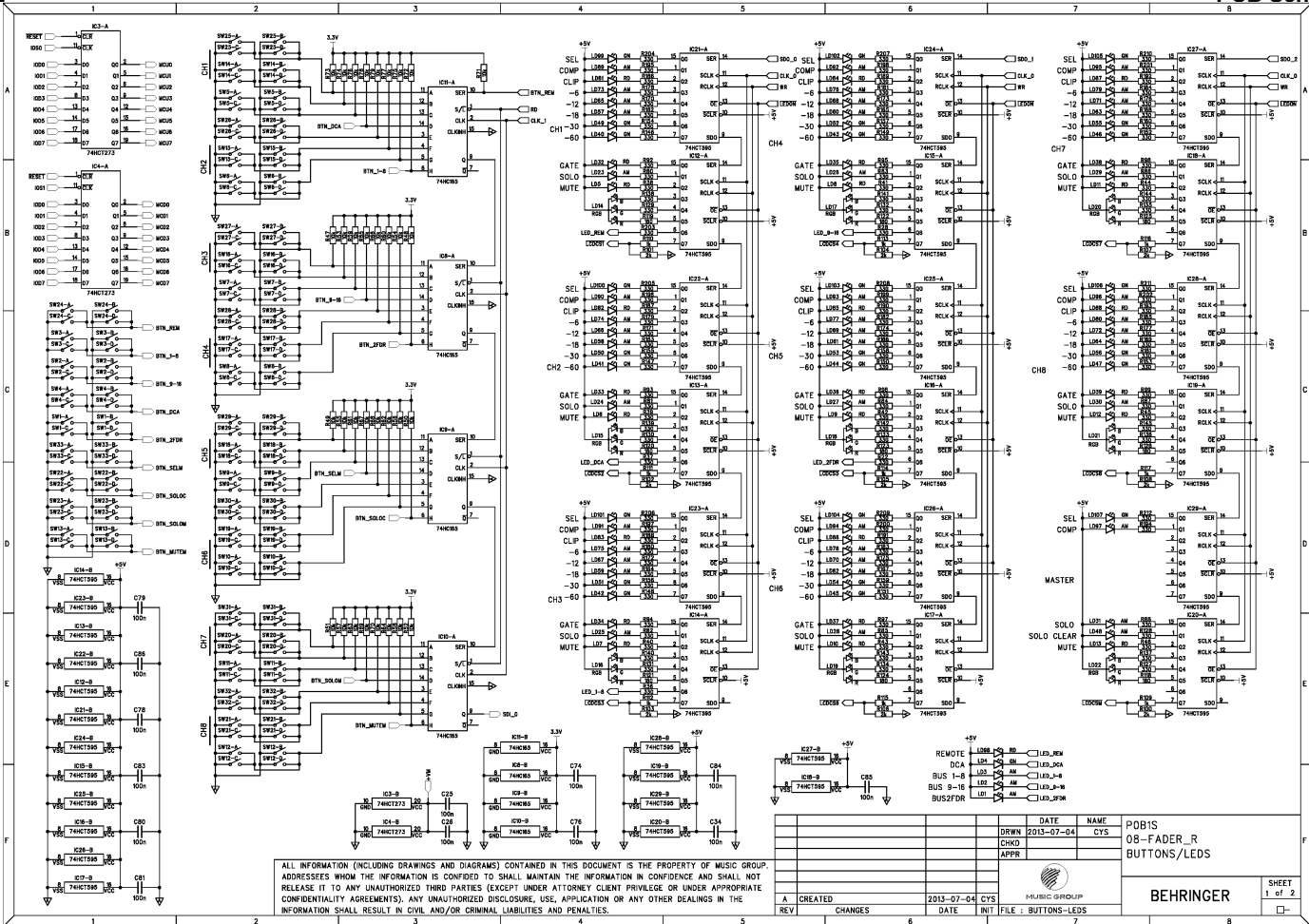
ALL INFORMATION (INCLUDING DRAWINGS AND DIAGRAMS) CONTAINED IN THIS DOCUMENT IS THE PROPERTY OF MUSIC GROUP ADDRESSES WHOM THE INFORMATION IS CONFIDED TO SHALL MAINTAIN THE INFORMATION IN CONFIDENCE AND SHALL NOT RELEASE IT TO ANY UNAUTHORIZED THIRD PARTIES (EXCEPT UNDER ATTORNEY CLIENT PRIVILEGE OR UNDER APPROPRIATE CONFIDENTIALITY AGREEMENTS). ANY UNAUTHORIZED DISCLOSURE, USE, APPLICATION OR ANY OTHER DEALINGS IN THE INFORMATION SHALL RESULT IN CIVIL AND/OR CRIMINAL LIABILITIES AND PENALTIES.

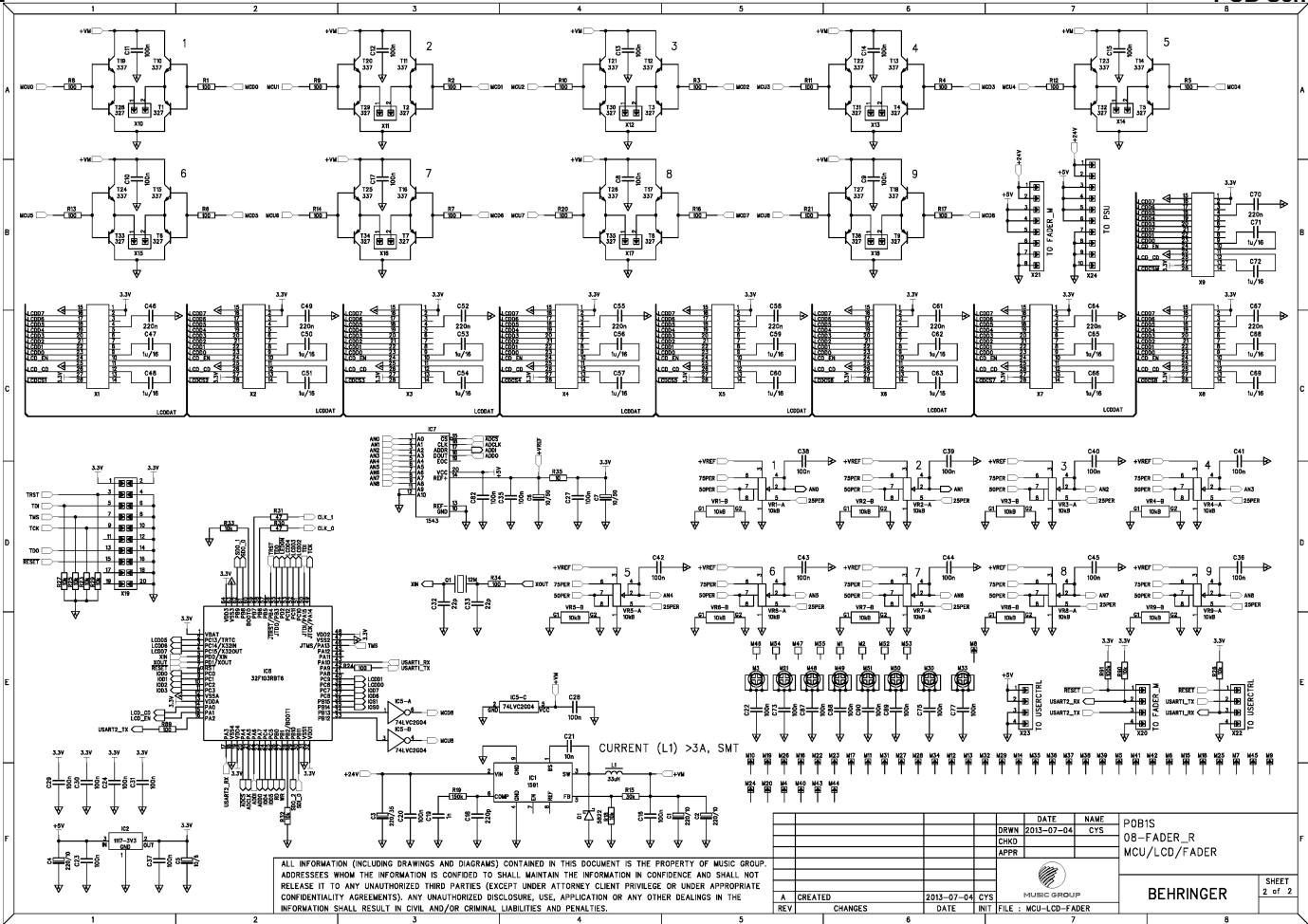
REV	DATE	NAME	DESCRIPTION
A	2013-07-03	CYS	CREATED
REV	CHANGES	DATE	INIT FILE : MCU-LCD-FADER

POBIS  
07-FADER\_M  
MCU/LCD/FADER

BEHRINGER

SHEET  
2 of 2

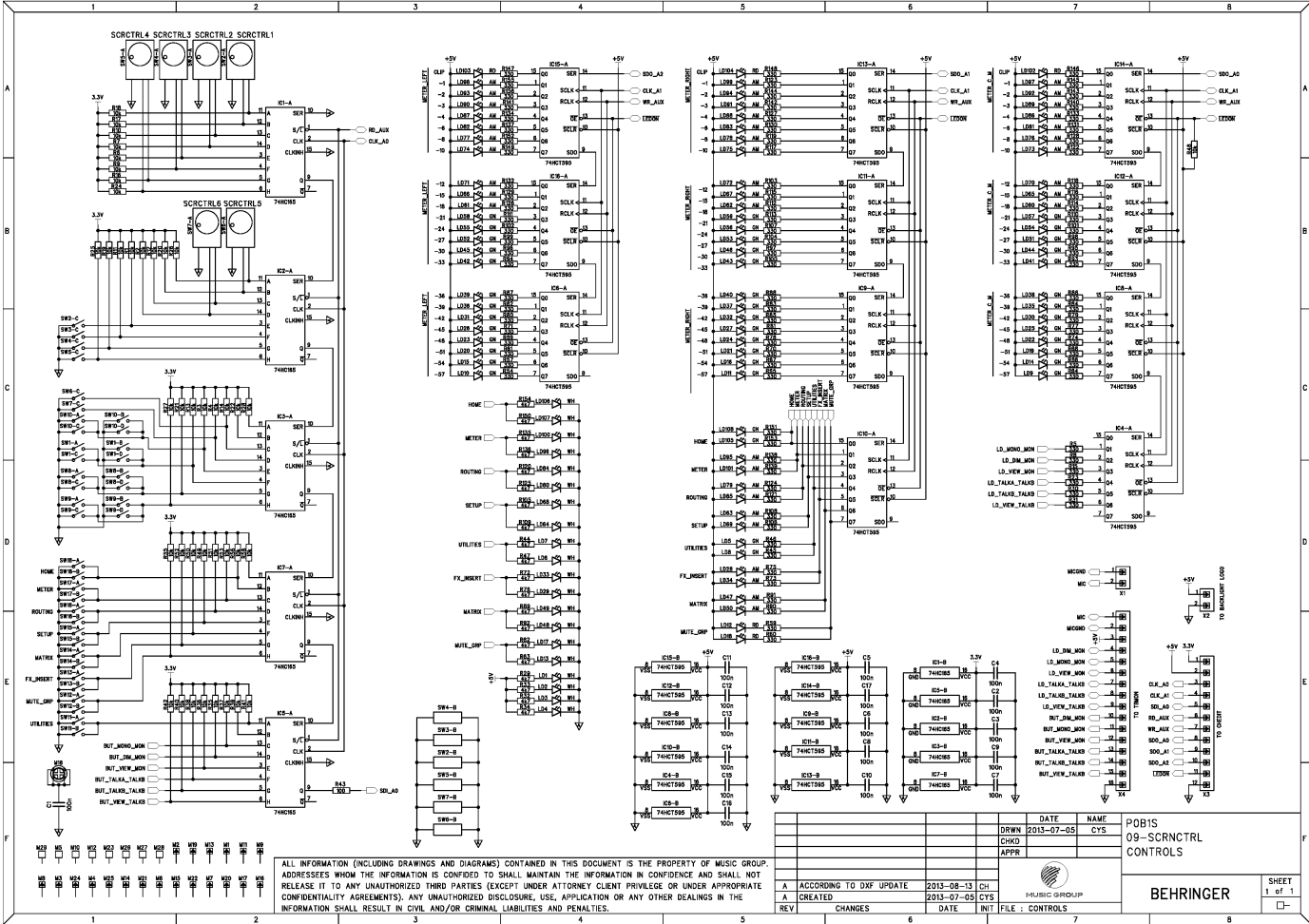


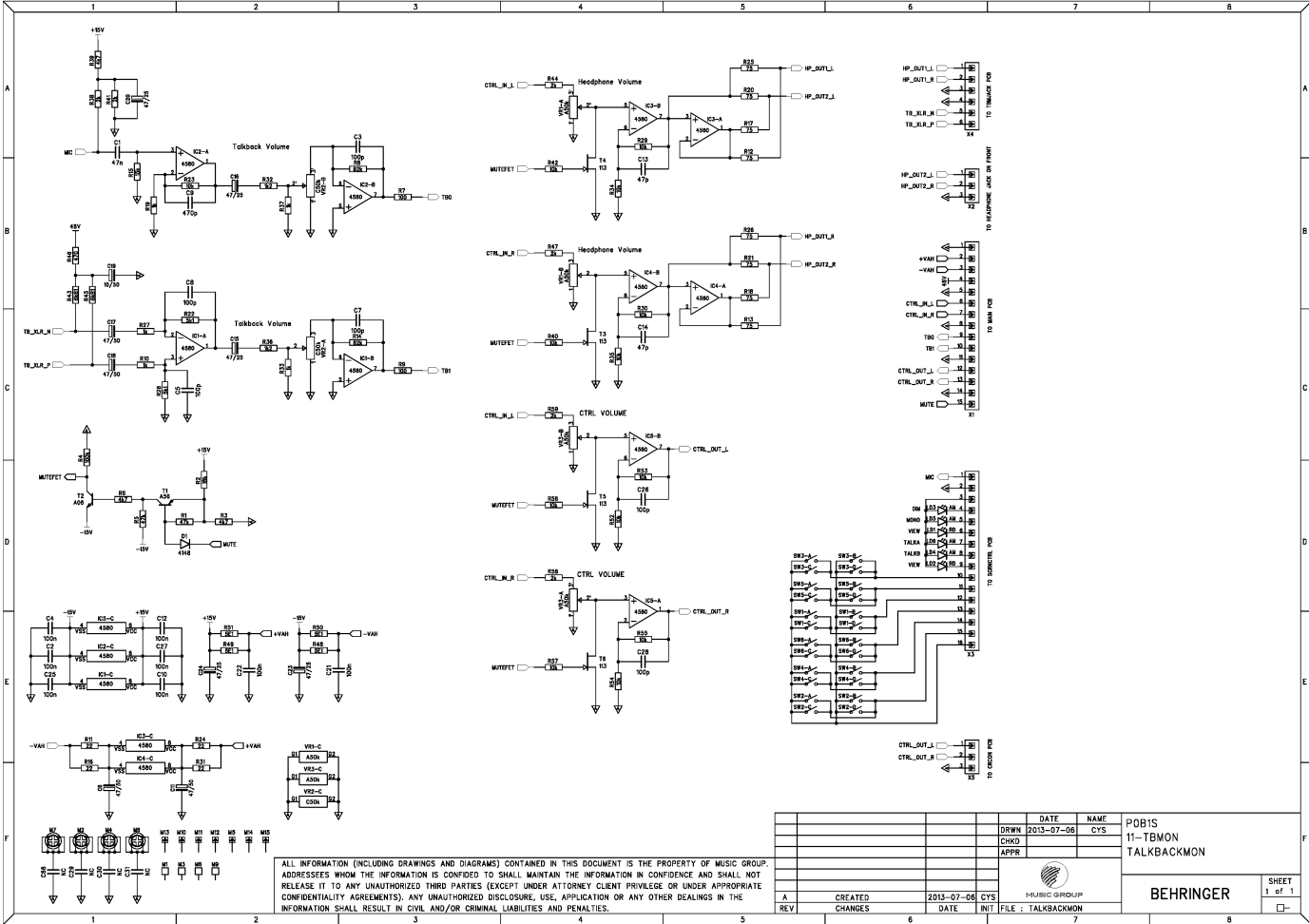


ALL INFORMATION (INCLUDING DRAWINGS AND DIAGRAMS) CONTAINED IN THIS DOCUMENT IS THE PROPERTY OF MUSIC GROUP ADDRESSEES WHOM THE INFORMATION IS CONFIDED TO SHALL MAINTAIN THE INFORMATION IN CONFIDENCE AND SHALL NOT RELEASE IT TO ANY UNAUTHORIZED THIRD PARTIES (EXCEPT UNDER ATTORNEY CLIENT PRIVILEGE OR UNDER APPROPRIATE CONFIDENTIALITY AGREEMENTS). ANY UNAUTHORIZED DISCLOSURE, USE, APPLICATION OR ANY OTHER DEALINGS IN THE INFORMATION SHALL RESULT IN CIVIL AND/OR CRIMINAL LIABILITIES AND PENALTIES.

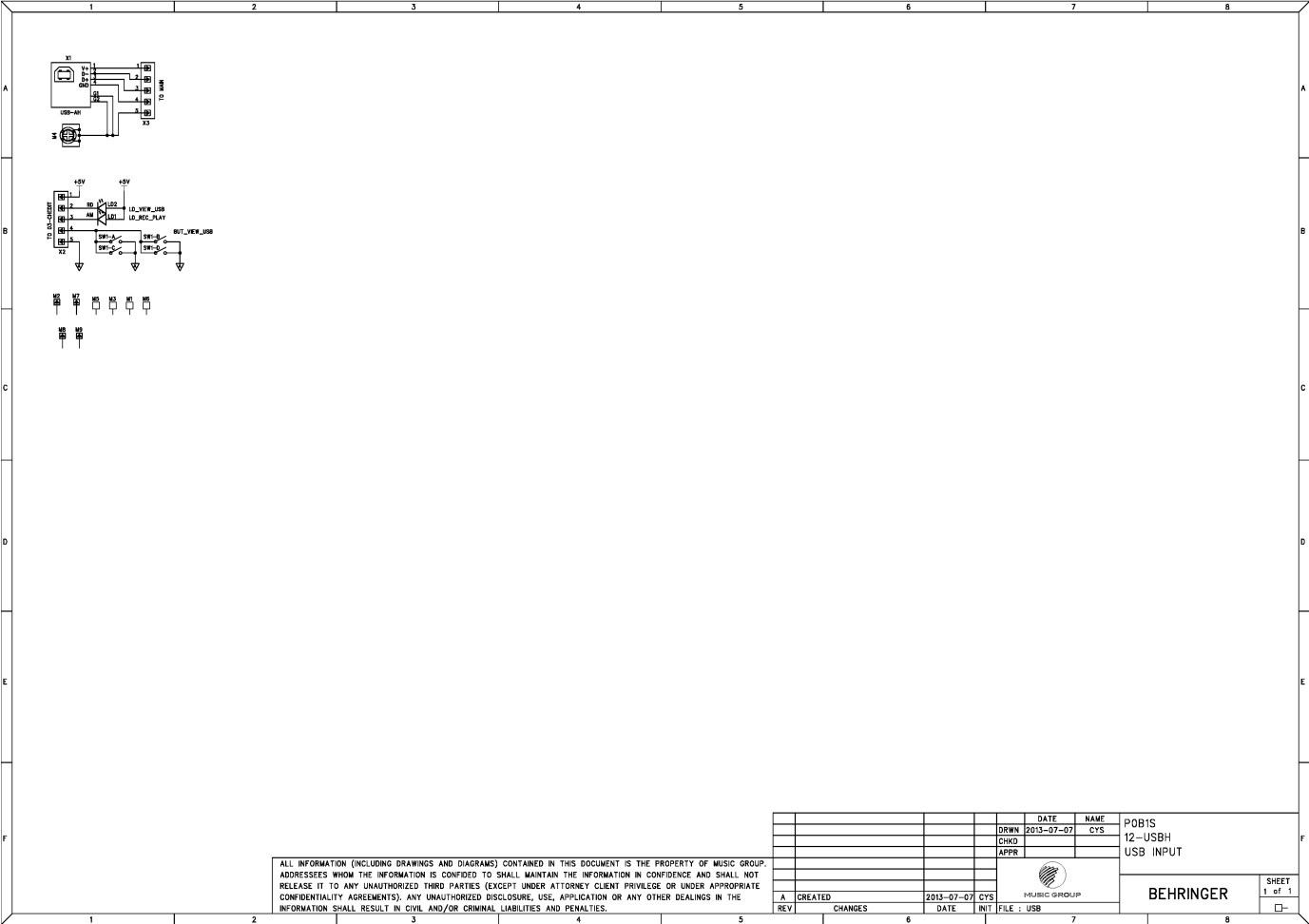
REV	DATE	NAME	DATE	INIT	FILE
A	2013-07-04	CYS			
REV	CHANGES		DATE	INIT	FILE

DATE	2013-07-04	NAME	CYS
DRWN		NAME	POBIS
CHKD		NAME	OB-FADER_R
APPR		NAME	MCU/LCD/FADER
<b>BEHRINGER</b>			SHEET 2 of 2



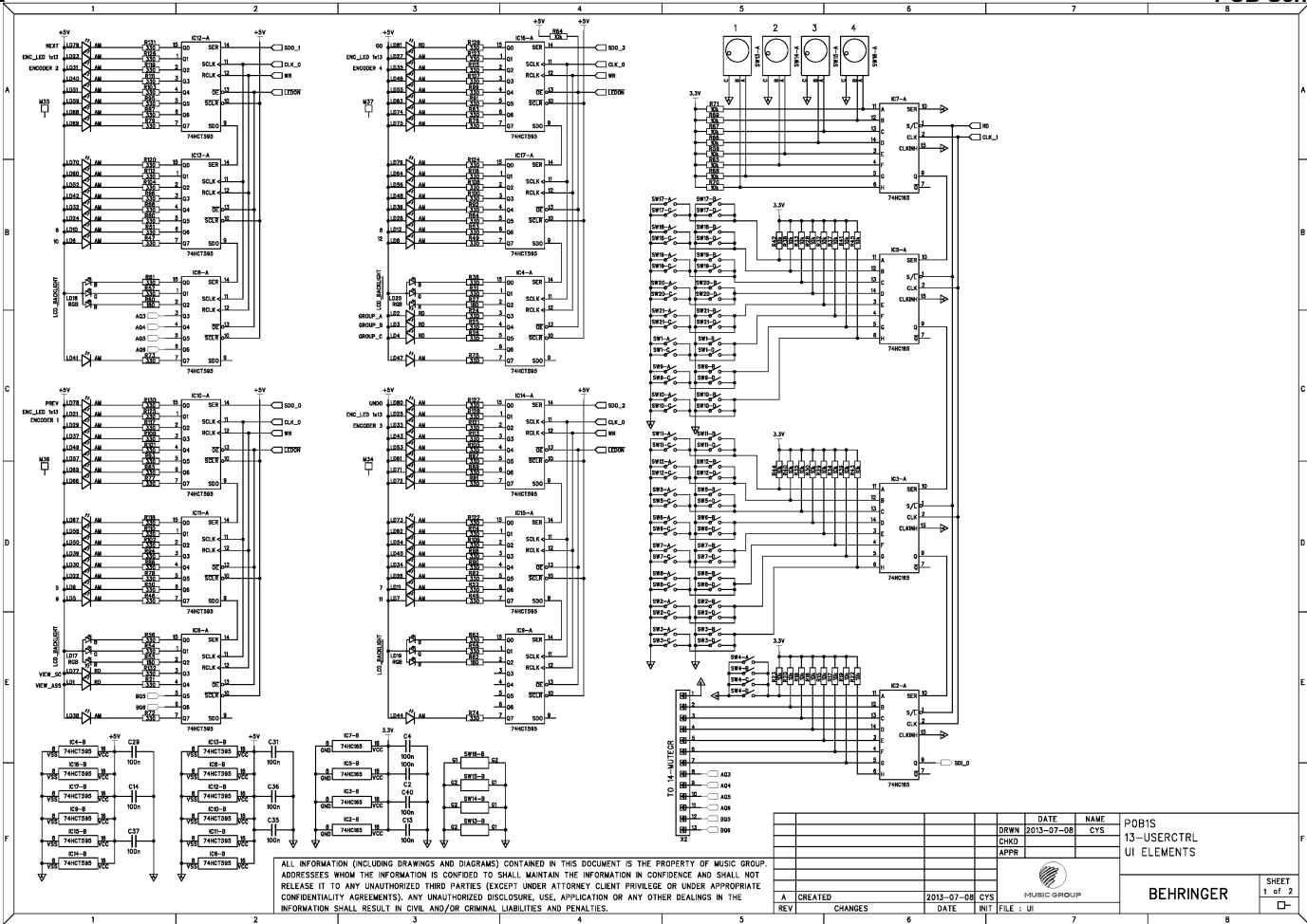


ALL INFORMATION (INCLUDING DRAWINGS AND DIAGRAMS) CONTAINED IN THIS DOCUMENT IS THE PROPERTY OF MUSIC GROUP. ADDRESSEES WHOM THE INFORMATION IS CONFIDED TO SHALL MAINTAIN THE INFORMATION IN CONFIDENCE AND SHALL NOT RELEASE IT TO ANY UNAUTHORIZED THIRD PARTIES (EXCEPT UNDER ATTORNEY CLIENT PRIVILEGE OR UNDER APPROPRIATE CONFIDENTIALITY AGREEMENTS). ANY UNAUTHORIZED DISCLOSURE, USE, APPLICATION OR ANY OTHER DEALINGS IN THE INFORMATION SHALL RESULT IN CIVIL AND/OR CRIMINAL LIABILITIES AND PENALTIES.

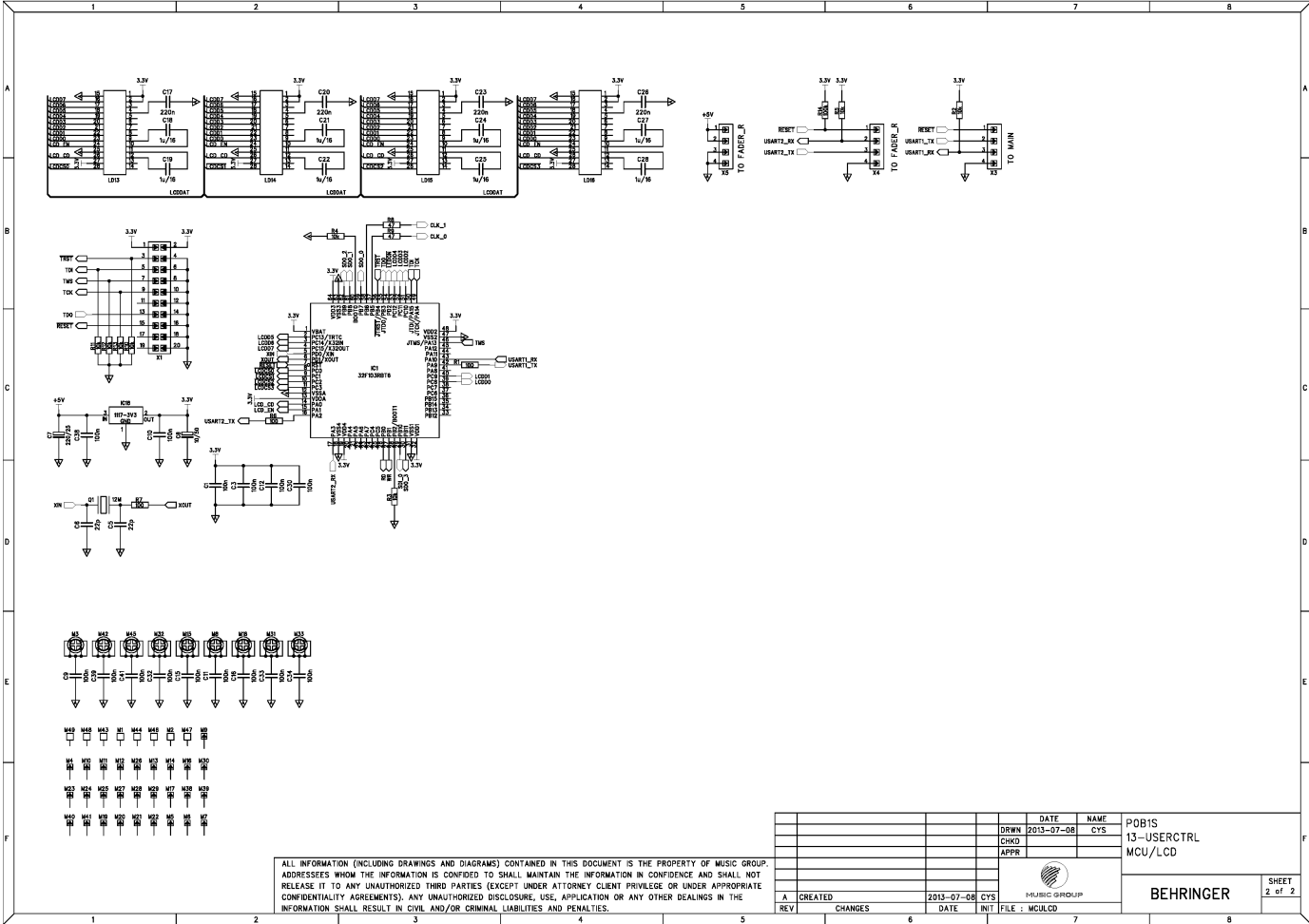


ALL INFORMATION (INCLUDING DRAWINGS AND DIAGRAMS) CONTAINED IN THIS DOCUMENT IS THE PROPERTY OF MUSIC GROUP ADDRESSEES WHOM THE INFORMATION IS CONFIDED TO SHALL MAINTAIN THE INFORMATION IN CONFIDENCE AND SHALL NOT RELEASE IT TO ANY UNAUTHORIZED THIRD PARTIES (EXCEPT UNDER ATTORNEY CLIENT PRIVILEGE OR UNDER APPROPRIATE CONFIDENTIALITY AGREEMENTS). ANY UNAUTHORIZED DISCLOSURE, USE, APPLICATION OR ANY OTHER DEALINGS IN THE INFORMATION SHALL RESULT IN CIVIL AND/OR CRIMINAL LIABILITIES AND PENALTIES.

				DATE	NAME	POB1S
				BRWN	2013-07-07	CYS
				CHKD		
				APPR		
						12-USBH
						USB INPUT
						<b>BEHRINGER</b>
A	CREATED	2013-07-07	CYS			SHEET 1 of 1
REV	CHANGES	DATE	INIT	FILE : USB		

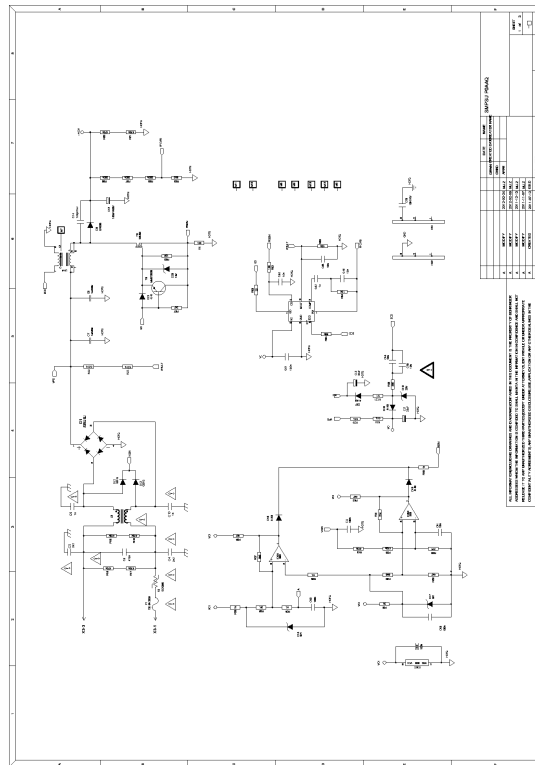


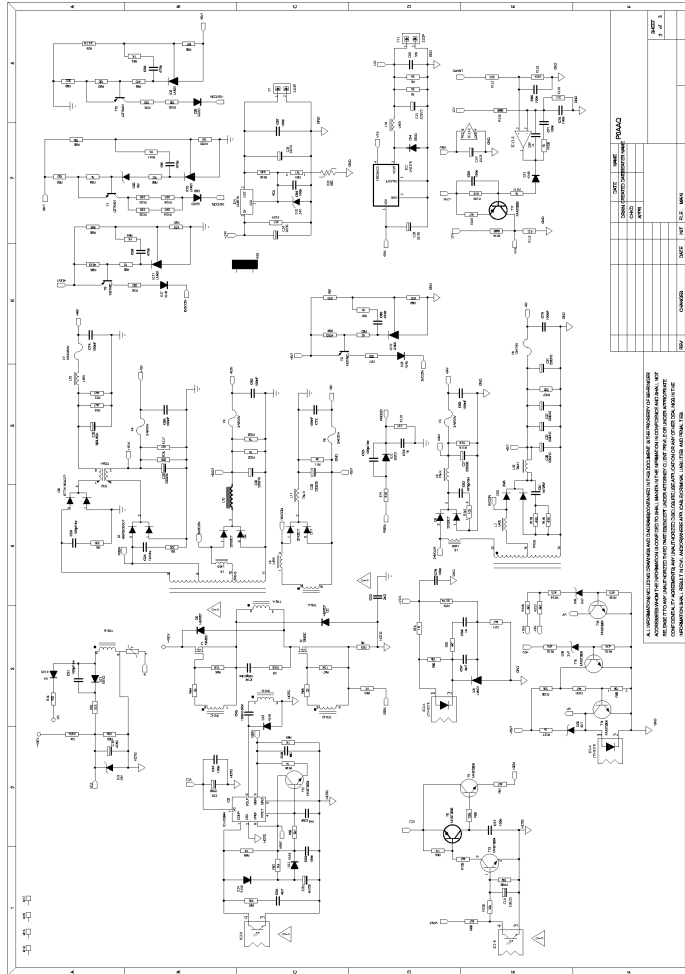
ALL INFORMATION (INCLUDING DRAWINGS AND DIAGRAMS) CONTAINED IN THIS DOCUMENT IS THE PROPERTY OF MUSIC GROUP. ADDRESSES WHOM THE INFORMATION IS CONFIDED TO SHALL MAINTAIN THE INFORMATION IN CONFIDENCE AND SHALL NOT RELEASE IT TO ANY UNAUTHORIZED THIRD PARTIES (EXCEPT UNDER ATTORNEY CLIENT PRIVILEGE OR UNDER APPROPRIATE CONFIDENTIALITY AGREEMENTS). ANY UNAUTHORIZED DISCLOSURE, USE, APPLICATION OR ANY OTHER DEALINGS IN THE INFORMATION SHALL RESULT IN CIVIL AND/OR CRIMINAL LIABILITIES AND PENALTIES.

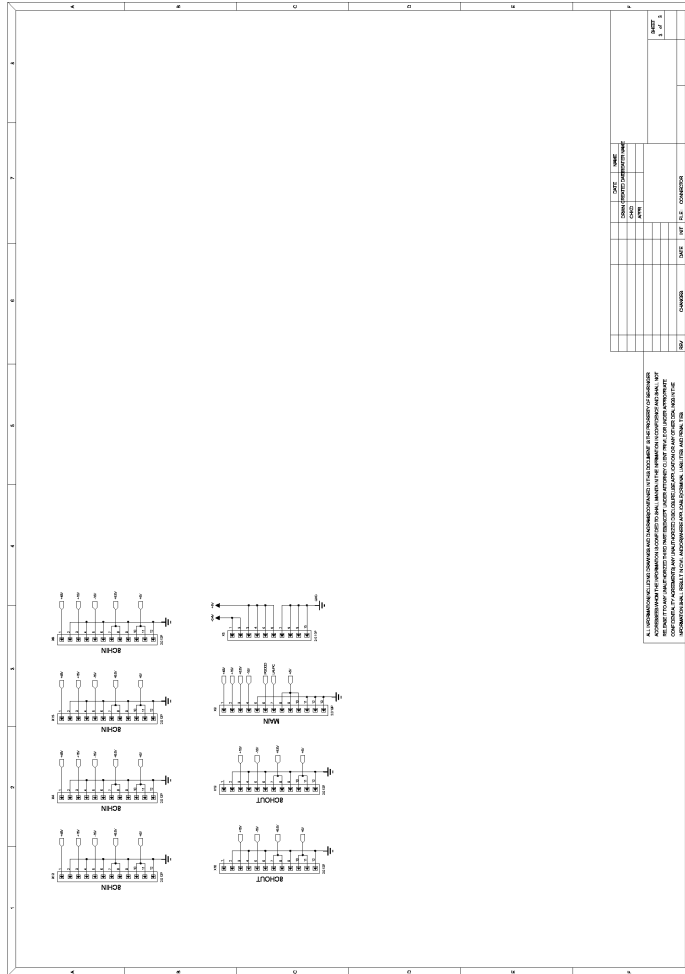


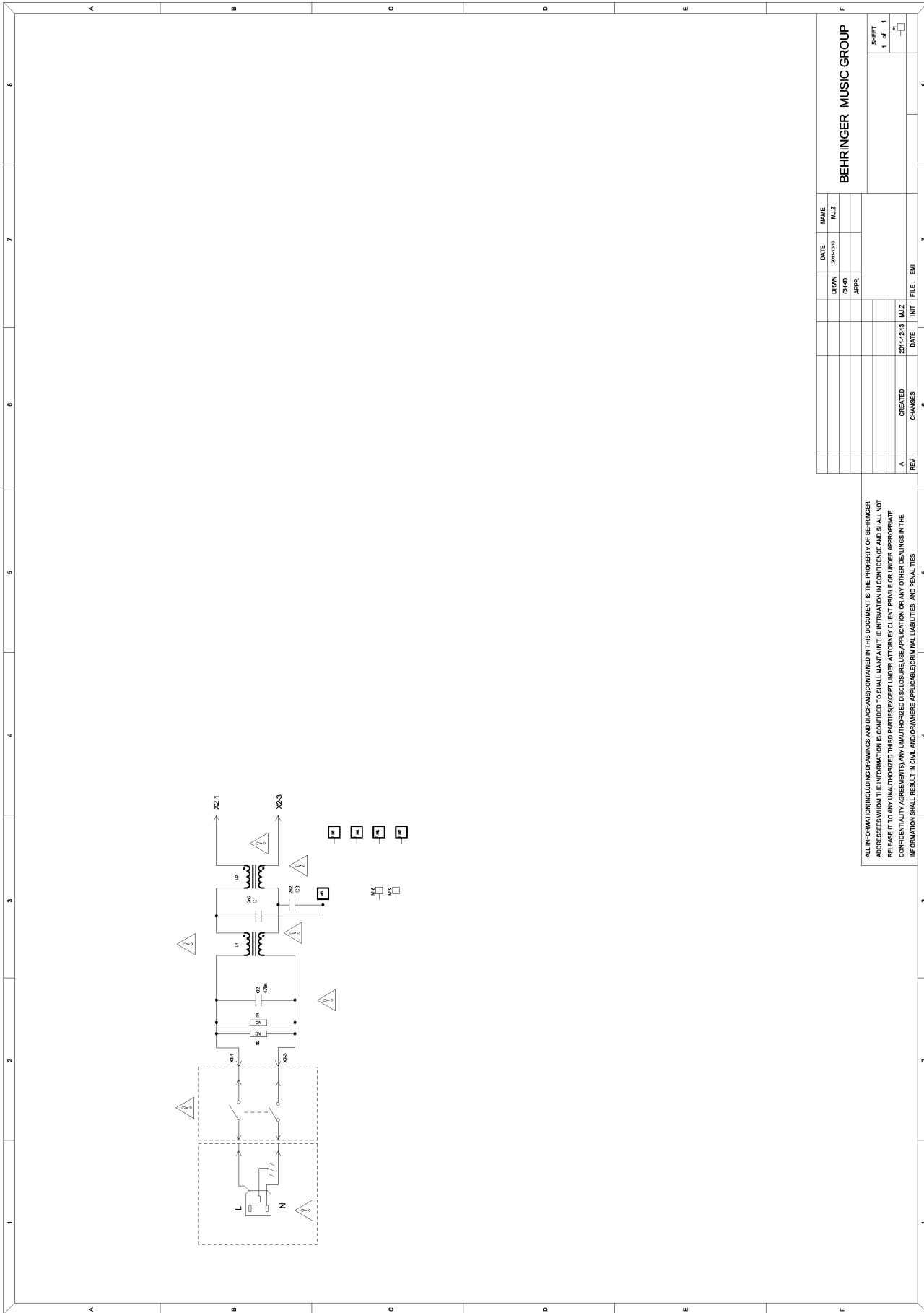
ALL INFORMATION (INCLUDING DRAWINGS AND DIAGRAMS) CONTAINED IN THIS DOCUMENT IS THE PROPERTY OF MUSIC GROUP. ADDRESSES WHOM THE INFORMATION IS CONFIDED TO SHALL MAINTAIN THE INFORMATION IN CONFIDENCE AND SHALL NOT RELEASE IT TO ANY UNAUTHORIZED THIRD PARTIES (EXCEPT UNDER ATTORNEY CLIENT PRIVILEGE OR UNDER APPROPRIATE CONFIDENTIALITY AGREEMENTS). ANY UNAUTHORIZED DISCLOSURE, USE, APPLICATION OR ANY OTHER DEALINGS IN THE INFORMATION SHALL RESULT IN CIVIL AND/OR CRIMINAL LIABILITIES AND PENALTIES.











ALL INFORMATION INCLUDING DRAWINGS AND DIAGRAMS CONTAINED IN THIS DOCUMENT IS THE PROPERTY OF BEHRINGER ADDRESSES WHOM THE INFORMATION IS CONFIDED TO SHALL MAINTAIN THE INFORMATION IN CONFIDENCE AND SHALL NOT RELEASE IT TO ANY UNAUTHORIZED THIRD PARTIES EXCEPT UNDER ATTORNEY CLIENT PRIVILEGE OR UNDER APPROPRIATE CONFIDENTIALITY AGREEMENTS. ANY UNAUTHORIZED DISCLOSURE, APPLICATION OR ANY OTHER DEALINGS IN THE INFORMATION SHALL RESULT IN CIVIL AND/OR WHERE APPLICABLE CRIMINAL LIABILITIES AND PENALTIES.

REV	CHANGES	DATE	INT	FILE	BY
A	CREATED	2011-12-13	MJZ		DM

DATE	NAME
2011-12-13	MJZ

DRWN	CHKD	APPR
MJZ		

BEHRINGER MUSIC GROUP	
SHEET	1 of 1

**HI Pcb Assemblies**

	Quantity	Unit	S.Sku	M.Sku	Description	Reference Designators	Notes
1	1.0000	PC	Q05-00001-77101	A05-00001-77101	PCB ASSEMBLY:1:A:HI:SMPSU37:MAIN		
2	1.0000	PC	Q05-00002-77101	A05-00002-77101	PCB ASSEMBLY:2:A:HI:SMPSU37:EMI		
3	1.0000	PC	Q05-AAQ04-00103	A05-AAQ04-00103	PCB ASSEMBLY:P0AAQ:4:C:HI:AUXCON;		
4	1.0000	PC	Q05-AAQ05-00103	A05-AAQ05-00103	PCB ASSEMBLY:P0AAQ:5:C:HI:CRCON;		
5	1.0000	PC	Q05-AAQ15-00105	A05-AAQ15-00106	PCB ASSEMBLY:P0AAQ:15:F:HI:MAIN		
6	2.0000	PC	Q05-AAQ17-00101	A05-AAQ17-00101	PCB ASSEMBLY:P0AAQ:17:A:HI:PHONEJACK		
7	2.0000	PC		A05-AAQ19-00102	PCB ASSEMBLY:P0AAQ:19:B:HI:8CHIN		
8	2.0000	PC		A05-AAQ19-20102	PCB ASSEMBLY:P0AAQ:19:B:HI:WITHOUT FPC20:8CHIN		
9	1.0000	PC	Q05-AAQ20-02101	A05-AAQ20-02101	PCB ASSEMBLY:P0AAQ:20:A:HI:WITHOUT FPC;8CHOUT		
10	1.0000	PC		A05-AAQ20-03101	PCB ASSEMBLY:P0AAQ:20:A:HI:8CHOUT		
11	1.0000	PC	Q05-ASF16-00108	A05-ASF16-00108	PCB ASSEMBLY:P0ASF:PCB:16:REV:HHI:MCU		
12	1.0000	PC		A05-AZP00-00101	PCB ASSEMBLY:P0AZP:X:USB:A:HI		
13	1.0000	PC		A05-B1S03-00101	PCB ASSEMBLY:POB1S:3:A:HI:CHEDIT		
14	1.0000	PC		A05-B1S06-00101	PCB ASSEMBLY:POB1S:6:A:HI:FADER_L		
15	1.0000	PC		A05-B1S07-00101	PCB ASSEMBLY:POB1S:7:A:HI:FADER_M		
16	1.0000	PC		A05-B1S08-00101	PCB ASSEMBLY:POB1S:8:A:HI:FADER_R		
17	1.0000	PC		A05-B1S09-00101	PCB ASSEMBLY:POB1S:9:A:HI:SCRNCTRL		
18	1.0000	PC		A05-B1S10-00103	PCB ASSEMBLY:POB1S:PCB:10:REV:C:HI:TBMJACK		
19	1.0000	PC		A05-B1S11-00101	PCB ASSEMBLY:POB1S:11:A:HI:TBMON		
20	1.0000	PC		A05-B1S12-00101	PCB ASSEMBLY:POB1S:12:A:HI:USBH		
21	1.0000	PC		A05-B1S13-00101	PCB ASSEMBLY:POB1S:13:A:HI:USERCTRL		
22	1.0000	PC		A05-B1S14-00101	PCB ASSEMBLY:POB1S:14:A:HI:MUTEGRP		

**Service Assemblies**

	Quantity	Unit	S.Sku	M.Sku	Description	Reference Designators	Notes
1			Q01-AZP00-00000	A09-AZP00-00000	SPARE PART:P0AZP	[EXTRA SPARE]	
2				A09-AAQ01-20002	SPARE PART:P0AAQ:REV:B:VERSION:INPUT;WITHOUT FPC20:8CHIN	[EXTRA SPARE]	
3				A09-AAQ01-00002	SPARE PART:P0AAQ:REV:B:VERSION:8CHIN	[EXTRA SPARE]	
4			Q09-AAQ00-20002	A09-AAQ00-20002	SPARE PART:P0AAQ:REV:B:INPUT;WITHOUT FPC20:8CHIN	[EXTRA SPARE]	
5			Q09-AAQ00-00002	A09-AAQ00-00002	SPARE PART:P0AAQ:REV:B:8CHIN	[EXTRA SPARE]	
6			Q04-B1S00-79000	A04-B1S00-79000	SUB ASSEMBLY:POB1S:FADER_R	[EXTRA SPARE]	
7			Q04-B1S00-43000	A04-B1S00-43000	SUB ASSEMBLY:POB1S:MUTEGRP	[EXTRA SPARE]	
8			Q04-B1S00-16000	A04-B1S00-16000	SUB ASSEMBLY:POB1S:FADER_M	[EXTRA SPARE]	
9				A01-AZP00-00000	MAIN ASSEMBLY:P0AZP:X:USB	[EXTRA SPARE]	
10			Q04-B1S00-02000	A04-B1S00-02000	SUB ASSEMBLY:POB1S:FADER_L	[EXTRA SPARE]	

Cable

	Quantity	Unit	S.Sku	M.Sku	Description	Reference Designators	Notes
1	1.0000	PC	Q81-00000-48384	A81-00000-48384	WIRE HARNESS;AWG:18;JUL1672;3.96 MM;3;COMMON;PIN1 RED;150 MM;2P;U51121-3P;NO PIN2;PIN3 BLACK		PSU02/X2 PSU01/X3
2	1.0000	PC	Q81-00000-48410	A81-00000-48410	WIRE HARNESS;AWG:18;JUL1672;3.96 MM;3;COMMON;PIN1 RED;80 MM;One side S/T;7MM;Other side JS1121-3P;NO PIN2		AC INLET L AC INLET N , PSU02/X1
3	1.0000	PC		A81-00000-60860	WIRE HARNESS;AWG:26;JUL2468;2 MM;1;3;150 MM;P1018-13P;A2006H-13P		
4	2.0000	PC	Q81-00000-60863	A81-00000-60863	WIRE HARNESS;AWG:26;JUL2468;2 MM;12;500 MM;P1018-12P;A2006H-12P		
5	25.0000	PC		A81-00000-60871	WIRE HARNESS;AWG:26;JUL2468;2 MM;2;50 MM;A2006H-2P;S/T;5MM		
6	1.0000	PC		A81-00000-60878	WIRE HARNESS;AWG:26;JUL2468;2 MM;6;60 MM;P1018-6P;A2006H-6P		
7	2.0000	PC		A81-00000-61276	WIRE HARNESS;AWG:26;JUL2468;2 MM;12;400 MM;P1018-12P;A2006H-12P		
8	1.0000	PC		A81-00000-63483	WIRE HARNESS;AWG:26;JUL2547;2 MM;3;PIN1 RED;190 MM;A2006H-03;P1018-03;SHIELD PIN3	[P0B15:1: (1.0)(X5)]	
9	1.0000	PC		A81-00000-64880	WIRE HARNESS;AWG:26;JUL2468;2 MM;2;630 MM;P1018-2P;A2006H-2P		
10	1.0000	PC		A81-00000-65637	WIRE HARNESS;AWG:26;JUL2547;2 MM;5;PIN1 RED;700 MM;A2006H;P1018;SHIELD PINS	[P0B15:12: (1.0)(X3)]	
11	5.0000	PC		A81-00000-66506	WIRE HARNESS;AWG:26;JUL2468;2 MM;4;COMMON;60 MM;P1018-4P;A2006H-4P	[P0B15:06: (1.0)(X10)]	
12	2.0000	PC		A81-00000-66508	WIRE HARNESS;AWG:26;JUL2468;2 MM;8;COMMON;60 MM;A2006H-8P;P1018-8P	[P0B15:06: (1.0)(X11)]	
13	1.0000	PC		A81-00000-66510	WIRE HARNESS;AWG:26;JUL2468;2 MM;12;COMMON;100 MM;A2006H-12P;P1018-12P	[P0B15:09: (1.0)(X3)]	
14	2.0000	PC		A81-00000-66512	WIRE HARNESS;AWG:26;JUL2468;2 MM;12;COMMON;500 MM;A2006H-12P;P1018-12P		
15	2.0000	PC		A81-00000-66517	WIRE HARNESS;AWG:26;JUL2468;2 MM;6;COMMON;60 MM;A2006H-6P;P1018-6P	[P0B15:03: (1.0)(X2)]	
16	2.0000	PC		A81-00000-66520	WIRE HARNESS;AWG:26;JUL2468;2 MM;12;COMMON;400 MM;A2006H-12P;P1018-12P	[P0AAQ:20: (1.0)(X1)]	
17	25.0000	PC		A81-00000-66521	WIRE HARNESS;AWG:26;JUL2468;2 MM;2;COMMON;55 MM		
18	1.0000	PC		A81-00000-66526	WIRE HARNESS;AWG:26;JUL2468;2 MM;5;COMMON;60 MM;A2006H-5P;P1018-5P	[P0B15:12: (1.0)(X2)]	
19	1.0000	PC		A81-00000-66528	WIRE HARNESS;AWG:26;JUL2468;2 MM;16;COMMON;120 MM;A2006H-16P;P1018-16P	[P0B15:11: (1.0)(X3)]	
20	1.0000	PC		A81-00000-66530	WIRE HARNESS;AWG:26;JUL2468;2 MM;13;COMMON;150 MM;A2006H-13P;P1018-13P	[P0AAQ:15: (1.0)(X1)]	PUS01/X9
21	1.0000	PC		A81-00000-66537	WIRE HARNESS;AWG:26;JUL2468;2 MM;3;COMMON;400 MM;A2006H-3P;P1018-3P	[P0B15:11: (1.0)(X2)]	
22	1.0000	PC		A81-00000-66539	WIRE HARNESS;AWG:26;JUL2468;2 MM;13;COMMON;70 MM;A2006H-13P;P1018-13P	[P0B15:14: (1.0)(X1)]	
23	1.0000	PC		A81-00000-66683	WIRE HARNESS;AWG:26;JUL2468;2 MM;10;COMMON;520 MM	[P0B15:08: (1.0)(X24)]	
24	1.0000	PC		A81-00000-66684	WIRE HARNESS;AWG:26;JUL2468;2 MM;4;COMMON;680 MM	[P0B15:13: (1.0)(X3)]	
25	1.0000	PC		A81-00000-66685	WIRE HARNESS;AWG:26;JUL2468;2 MM;2;COMMON;630 MM	[P0B15:10: (1.0)(X8)]	PSU01/X11
26	1.0000	PC		A81-00000-70367	WIRE HARNESS;1200 MM;AWG:26;JUL2468;2 MM;15;A2006H-15P;P1018-15P	[P0AAQ:15: (1.0)(X9)]	PCB11TBMOM/X1
27	1.0000	PC	Q81-00000-70554	A81-00000-70554	WIRE HARNESS;1100 MM;AWG:26;JUL2547;2 MM;3;PIN1 RED;PIN3 SHIELD;P1018-3P;A2006H-3P	[P0B15:10: (1.0)(X7)]	PCB17 PHONE JACK(11)/X1
28	2.0000	PC	Q81-00000-70695	A81-00000-70695	WIRE HARNESS;260 MM;AWG:26;JUL2468;2 MM;12;P1018-12P;A2006H-12P		
29	1.0000	PC	Q85-00000-23550	A85-00000-23550	WIRE HARNESS;0.5 MM;40;400MM;FLEX FLAT CABLE		PCB15 MAIN/X5 LCD
30	1.0000	PC	Q85-00000-39129	A85-00000-39129	WIRE HARNESS;1 MM;20;140 MM;FLEX FLAT CABLE		PCB15 MAIN/14 ,PCB02 8CH OUT(11)/X3

Quantity	Unit	S.Sku	M.Sku	Description	Reference Designators	Notes
31	1.0000	PC	Q85-00000-39130	A85-00000-39130	WIRE HARNESS;1 MM;24;280 MM;FLEX FLAT CABLE	PCB04 AUXCON/X14, PCB15 MAIN/X15
32	5.0000	PC	Q85-00000-39131	A85-00000-39131	WIRE HARNESS;1 MM;20;100 MM;FLEX FLAT CABLE	PCB02 8CH OUT(1)/X4--- PCB02 8CH OUT(2)/X3 PCB15 MAIN/X3---PCB01 8CH IN(1)/X4 PCB01 8CH IN(1)/X3---PCB01 8CH IN(2)/X4 PCB15 MAIN/X4--- PCB01 8CH IN(3)/X4 PCB01 8CH IN(3)/X3--- PCB01 8CH IN(4)/X4
33	1.0000	PC		A81-00000-66685	WIRE HARNESS;AWG:26;UL2468;2 MM;2;COMMON;630 MM	[P0B15:10: {1.0}(X8)] (EU, UL, UK, SAA, BR, AR, HM)
34	1.0000	PC	Q76-15032-55649	A76-15032-55649	CABLE;AC;CORD;CLASS II;W/POLYBAG;JAPAN;LENGTH:150cm;POLES:3;APPROVAL:PSE;J5155 3 + VCTF 3x0.75mm2 + V1528	(HM, SH)
35	1.0000	PC	Q85-00000-39130	A85-00000-39130	WIRE HARNESS;1 MM;24;280 MM;FLEX FLAT CABLE	(EU, UL, UK, SAA, BR, AR, HM)
36	1.0000	PC	Q85-00000-23550	A85-00000-23550	WIRE HARNESS;0.5 MM;40;400MM;FLEX FLAT CABLE	(EU, UL, UK, SAA, BR, AR, HM)
37	1.0000	PC		A81-00000-70367	WIRE HARNESS;1200 MM;AWG:26;UL2468;2 MM;15;A2006H- 15P;P1018-15P	[P0AAQ:15: {1.0}(X9)] (EU, UL, UK, SAA, BR, AR, HM)
38	1.0000	PC	Q81-00000-70554	A81-00000-70554	WIRE HARNESS;1100 MM;AWG:26;UL2547;2 MM;3;PIN1 RED;PIN3 SHIELD;P1018-3P;A2006H-3P	[P0B15:10: {1.0}(X7)] (EU, UL, UK, SAA, BR, AR, HM)
39	0.0000	PC		A76-18050-06505	CABLE;AC;CORD;LENGTH:180cm;VERSION:SAA;PLUG;HE105 ISOLATED;SAA H05VV-F 3x0.75mm2;CONN;HP-3;PANYU	(SAA)
40	1.0000	PC		A81-00000-66530	WIRE HARNESS;AWG:26;UL2468;2 MM;13;COMMON;150 MM;A2006H-13P;P1018-13P	[P0AAQ:15: {1.0}(X1)] (EU, UL, UK, SAA, BR, AR, HM)
41	1.0000	PC	Q81-00000-48410	A81-00000-48410	WIRE HARNESS;AWG:18;UL1672;3.96 MM;3;COMMON;PIN1 RED;80 MM;One side S/T;7MM;Other side JS1121-3P;NO PIN2	(EU, UL, UK, SAA, BR, AR, HM)
42	1.0000	PC	Q76-15042-05624	A76-15042-05624	CABLE;AC;CORD;W/POLYBAG;LENGTH:150cm;H05VV- F3G0.75MM2;VERSION;UK;SPEC.NO:05624	(UK)
43	1.0000	PC	Q76-18050-47490	A76-18050-47490	CABLE;AC;CORD;LENGTH:180cm;VERSION:SAA;PLUG;HE105 ISOLATED;SAA H05VV-F 3x0.75mm2;CONN;HP-3;SPEC.NO:47490	(SAA)
44	1.0000	PC	Q76-15222-06417	A76-15222-06417	CABLE;AC- CORD;W/POLYBAG;LENGTH:152cm;AWG:18;VERSION;UL;SPEC.NO:0 6417	(UL)
45	1.0000	PC	Q76-00000-05305	A76-00000-05305	CABLE;AC;CORD;3BR;1500 MM;Plug + Connector:375+730;H05VV-F 3G0.75	(BR)
46	5.0000	PC	Q85-00000-39131	A85-00000-39131	WIRE HARNESS;1 MM;20;100 MM;FLEX FLAT CABLE	(EU, UL, UK, SAA, BR, AR, HM)
47	1.0000	PC	Q85-00000-39129	A85-00000-39129	WIRE HARNESS;1 MM;20;140 MM;FLEX FLAT CABLE	(EU, UL, UK, SAA, BR, AR, HM)
48	1.0000	PC	Q76-15212-03119	A76-15212-03119	CABLE;AC;CORD;W/POLYBAG;LENGTH:152cm;H05VV-F 3G 0.75MM2;VERSION;EU;SPEC.NO:03119	(EU)
49	1.0000	PC	Q81-00000-48384	A81-00000-48384	WIRE HARNESS;AWG:18;UL1672;3.96 MM;3;COMMON;PIN1 RED;150 MM;2P;JS1121-3P;NO PIN2;PIN3 BLACK	(EU, UL, UK, SAA, BR, AR, HM)
50	1.0000	PC	Q76-00000-13573	A76-00000-13573	CABLE;AC;CORD;3AR;1500 MM;Plug + Connector:321+730;H05VV-F 3G0.75	(AR)

Capacitor

	Quantity	Unit	S.Sku	M.Sku	Description	Reference Designators	Notes
1	5.0000	PC			CAP E:10uF;6V;PITCH:2mm;5.5mm x 11mm;VERTICAL 12.7-15-9mm	[P0B15:6: {3.0}(C5-C7)]	*NOT available in DP
2	9.0000	PC			CAP E:220uF;10V;PITCH:2mm;5.6mm x 11mm;VERTICAL 12.7-15-9mm	[P0B15:6: {3.0}(C1-C2,C4)]	*NOT available in DP
3	2.0000	PC			CAP E:100uF;16V;PITCH:2mm;5.5mm x 11mm;VERTICAL 12.7-15-9mm	[P0AAQ:15: {2.0}(C46,C65)]	*NOT available in DP
4	4.0000	PC			CAP E:220uF;16V;PITCH:2mm;5.6mm x 12mm;VERTICAL 12.7-15-9mm	[P0AAP:06: {1.0}(C39)]	*NOT available in DP
5	1.0000	PC			CAP E:220uF;16V;PITCH:2mm;5.6mm x 12mm;VERTICAL 12.7-15-9mm	[P0B15:03: {1.0}(C7)]	*NOT available in DP
6	33.0000	PC			CAP E:1mF;16V;PITCH:5mm;10mm x 16mm;VERTICAL 12.7-15-9mm	[P0AAQ:15: {1.0}(C247)]	*NOT available in DP
7	19.0000	PC			CAP E:47uF;25V;PITCH:2mm;5.5mm x 11mm;UNCUT;VERTICAL 12.7-15-9mm	[P0AAQ:15: {19.0}(C11,C14,C32,C42,C64,C78,C88-C89,C95,C102-C103,C110,C127,C136,C138,C145,C151-C152,C156)]	*NOT available in DP
8	43.0000	PC			CAP E:47uF;25V;PITCH:2mm;5.5mm x 11mm;VERTICAL 12.7-15-9mm	[P0AZP:00: {2.0}(C31,C44)]	*NOT available in DP
9	28.0000	PC			CAP E:47uF;25V;PITCH:2mm;5.6mm x 7mm;VERTICAL 12.7-15-9mm	[P0AAQ:20: {14.0}(C24,C31-C34,C44,C68-C75)]	*NOT available in DP
10	136.0000	PC			CAP E:100uF;25V;PITCH:2mm;5.6mm x 12mm;VERTICAL 12.7-15-9mm	[P0AAP:06: {26.0}(C43-C44,C78-C93,C182-C189)]	*NOT available in DP
11	6.0000	PC			CAP E:1uF;50V;PITCH:2mm;5.5mm x 11mm;VERTICAL 12.7-15-9mm	[P0AAP:06: {1.0}(C38)]	*NOT available in DP
12	2.0000	PC			CAP E:4uF;50V;PITCH:2mm;5.5mm x 11mm;VERTICAL 12.7-15-9mm	[P0AAQ:15: {2.0}(C56,C63)]	*NOT available in DP
13	59.0000	PC			CAP E:10uF;50V;PITCH:2mm;5.5mm x 11mm;VERTICAL 12.7-15-9mm	[P0AZP:00: {1.0}(C41)]	*NOT available in DP
14	4.0000	PC			CAP E:47uF;50V;PITCH:2mm;5.6mm x 11mm;VERTICAL 12.7-15-9mm	[P0B15:11: {4.0}(C6,C11,C17-C18)]	*NOT available in DP
15	32.0000	PC			CAP E:47uF;63V;PITCH:2mm;5.6mm x 11mm;VERTICAL 12.7-15-9mm	[P0AAP:06: {8.0}(C246-C253)]	*NOT available in DP
16	12.0000	PC			CAP E:1mF;63V;PITCH:5MM;SIZE:8X12MM;5AI HIGH:15MM;TAPE:12.7-15-9MM;85C	[P0AAP:06: {2.0}(C326-C327)]	*NOT available in DP
17	3.0000	PC			CAP E:220 uF;35 V;20 %;RADIAL;SIZE:8X11.5;PITCH:3.5MM;PRE-CUT:3.2+0.3	[P0B15:06: {1.0}(C3)]	*NOT available in DP
18	1.0000	PC			CAP E:100uF;10V;PITCH:2mm;5.5mm x 11mm;PRECUT:3mm2 - 0/+0mm2	[P0AAQ:15: {1.0}(C8)]	*NOT available in DP
19	2.0000	PC			CAP E:47uF;25V;PITCH:2mm;5.5mm x 11mm;PRECUT:3mm2 - 0/+0mm2	[P0AAQ:05: {2.0}(C1-C2)]	*NOT available in DP
20	3.0000	PC			CAP CER:1 nF;2 kV;X7R;10 %;SMD805;SMD1206	[1:01: {1.0}(C81)]	*NOT available in DP
21	6.0000	PC			CAP CER:100 nF;100 V;X7R;10 %;SMD805	[1:01: {6.0}(C62-C63,C65,C70,C72,C74)]	*NOT available in DP
22	2.0000	PC			CAP CER:470pF;50V;10%;PITCH:5mm;DISC;VERTICAL 12.7-15-9mm	[P0B15:10: {2.0}(C1-C2)]	*NOT available in DP
23	9.0000	PC			CAP CER:1.5 nF;50 V;COG;2 %;SMD805	[1:01: {1.0}(C49)]	*NOT available in DP
24	16.0000	PC			CAP CER:150 pF;50 V;COG;5 %;SMD603	[P0AAQ:20: {8.0}(C60-C67)]	*NOT available in DP
25	1.0000	PC			CAP CER:4.7 uF;6.3 V;X5R;20 %;SMD603	[P0AZP:00: {1.0}(C21)]	*NOT available in DP
26	12.0000	PC			CAP CER:10 uF;6.3 V;X5R;10 %;SMD805;YAGEO (CC85KRX5R6B8106)	[P0AAQ:15: {12.0}(C25,C27-C29,C34-C35,C38,C43,C48,C50,C70,C81)]	*NOT available in DP
27	12.0000	PC			CAP CER:10uF;6V3;X5R;20%;SMT805	[P0AZP:00: {4.0}(C1,C3,C9-C10)]	*NOT available in DP
28	2.0000	PC			CAP CER:1uF;10V;+80%/-20%;SMT603	[P0AAQ:16: {2.0}(C19,C27)]	*NOT available in DP
29	13.0000	PC			CAP CER:1uF;10V;X5R;10%;SMD603	[P0AZP:00: {3.0}(C16-C17,C51)]	*NOT available in DP
30	58.0000	PC			CAP CER:1uF;16V;X7R;10%;SMT805	[P0B15:06: {16.0}(C44-C45,C47-C48,C50-C51,C53-C54,C56-C57,C59-C60,C62-C63,C65-C66)]	*NOT available in DP
31	52.0000	PC			CAP CER:100nF;10V;X5R;10%;SMT402;(MURATA GRM155R61A104KA01E)	[P0AAQ:16: {52.0}(C1,C6-C12,C14-C16,C18,C20-C22,C28,C33,C35-C37,C39-C41,C45-C46,C50-C72,C75-C78)]	*NOT available in DP
32	6.0000	PC			CAP CER:10 nF;16 V;Y5V;+80%/-20 %;SMD402	[P0AAQ:16: {6.0}(C2-C4,C13,C34,C38)]	*NOT available in DP
33	13.0000	PC			CAP CER:100nF;25V;X5R;10%;SMT603	[P0AAQ:15: {13.0}(C33,C39,C58,C68,C83,C94,C106,C108,C126,C131,C135,C155,C159)]	*NOT available in DP
34	3.0000	PC			CAP CER:220pF;25V;COG;10%;SMT805	[P0B15:06: {1.0}(C19)]	*NOT available in DP

	Quantity	Unit	S.Sku	M.Sku	Description	Reference Designators	Notes
35	92.0000	PC			CAP CER:100nF:25V:X7R:10%:SMT805	[P0AZP:00: (2.0)(C23,C42)]	*NOT available in DP
36	2.0000	PC			CAP CER:470nF:25V:X7R:10%:SMT805	[1:01: (2.0)(C58,C61)]	*NOT available in DP
37	1.0000	PC			CAP CER:100nF:25V:X7R:10%:SMT1206	[1:01: (1.0)(C76)]	*NOT available in DP
38	98.0000	PC			CAP CER:10pF:50V:10%:SMT603	[P0AZP:00: (2.0)(C46-C47)]	*NOT available in DP
39	2.0000	PC			CAP CER:20pF:50V:20%:SMT603	[P0AAQ:16: (2.0)(C29-C30)]	*NOT available in DP
40	98.0000	PC			CAP CER:22pF:50V:10%:SMT603	[P0AAQ:15: (2.0)(C1-C2)]	*NOT available in DP
41	46.0000	PC			CAP CER:47pF:50V:5%:COG(NPO);SMT603	[P0AAQ:15: (12.0)(C67,C80,C85-C86,C105,C111,C118-C119,C134,C146,C153-C154)]	*NOT available in DP
42	87.0000	PC			CAP CER:100pF:50V:20%:SMT603	[P0AAQ:04: (12.0)(C33-C38,C41,C43,C56-C57,C60-C61)]	*NOT available in DP
43	128.0000	PC			CAP CER:330pF:50V;COG;5%:SMD603	[P0AAP:06: (32.0)(C214-C229,C238-C245,C255,C257,C259,C261,C263,C265,C267,C269)]	*NOT available in DP
44	6.0000	PC			CAP CER:470pF:50V:10%:SMT603	[P0AAQ:15: (4.0)(C180-C183)]	*NOT available in DP
45	27.0000	PC			CAP CER:1nF:50V:10%:SMT603	[P0AAQ:15: (27.0)(C52,C109,C189,C191,C193,C195-C196,C199,C201,C205,C207,C209-C212,C215,C217,C219,C221,C223,C225,C228,C231,C235,C237,C239,C243)]	*NOT available in DP
46	1.0000	PC			CAP CER:1nF:250V:10%:SMT603	[P0AAQ:15: (1.0)(C53)]	*NOT available in DP
47	16.0000	PC			CAP CER:1nF:50V;COG;5%:SMT603;(MURATA GRM1885C1H152JA01D)	[P0AAQ:20: (8.0)(C76,C78-C79,C81-C82,C84-C85,C87)]	*NOT available in DP
48	16.0000	PC			CAP CER:2nF:250V;COG;5%:SMT603;(MURATA GRM1885C1H222JA01D)	[P0AAQ:20: (8.0)(C48-C55)]	*NOT available in DP
49	12.0000	PC			CAP CER:10nF:50V:10%:SMT603	[P0AAQ:15: (12.0)(C36-C37,C40,C44,C51,C57,C60,C124,C236,C240,C245-C246)]	*NOT available in DP
50	1.0000	PC			CAP CER:10nF:50V:X7R:10%:SMT603	[P0AZP:00: (1.0)(C13)]	*NOT available in DP
51	76.0000	PC			CAP CER:100nF:50V:10%:SMT603	[P0AZP:00: (23.0)(C2,C4-C5,C8,C12,C14-C15,C18-C20,C22,C24,C26-C29,C32-C33,C35-C37,C45,C50)]	*NOT available in DP
52	10.0000	PC			CAP CER:22pF:50V:10%:SMT805	[P0B1S:06: (2.0)(C32-C33)]	*NOT available in DP
53	102.0000	PC			CAP CER:100pF:50V:10%:SMT805	[P0AAQ:04: (24.0)(C21-C32,C44-C55)]	*NOT available in DP
54	8.0000	PC			CAP CER:100pF:50V;COG;5%:SMT805	[P0AAQ:15: (8.0)(C91-C92,C99-C100,C141-C142,C149-C150)]	*NOT available in DP
55	32.0000	PC			CAP CER:470pF:50V:10%:SMT805	[P0AAQ:20: (16.0)(C136-C151)]	*NOT available in DP
56	4.0000	PC			CAP CER:470pF:50V;COG;5%:SMD805	[P0AAQ:15: (4.0)(C41,C47,C54,C62)]	*NOT available in DP
57	6.0000	PC			CAP CER:560pF:50V:10%:SMT805	[P0AAQ:15: (6.0)(C69,C97,C107,C128,C137,C165)]	*NOT available in DP
58	3.0000	PC			CAP CER:680pF:50V:10%:SMT805	[P0B1S:10: (3.0)(C3-C5)]	*NOT available in DP
59	67.0000	PC			CAP CER:1nF:50V:10%:SMT805	[P0AAP:06: (16.0)(C302,C304-C305,C307-C308,C310-C311,C313-C314,C316-C317,C319-C320,C322-C323,C325)]	*NOT available in DP
60	1.0000	PC			CAP CER:1nF:50V:X7R:10%:SMD805	[1:01: (1.0)(C69)]	*NOT available in DP
61	72.0000	PC			CAP CER:1nF:50V;COG;5%:SMD805	[P0AAQ:15: (8.0)(C73,C76,C114,C117,C120,C123,C166,C169)]	*NOT available in DP
62	32.0000	PC			CAP CER:2nF:250V:10%:SMT805	[P0AAP:06: (8.0)(C303,C306,C309,C312,C315,C318,C321,C324)]	*NOT available in DP
63	2.0000	PC			CAP CER:4nF:750V:10%:SMT805	[1:01: (2.0)(C55,C57)]	*NOT available in DP
64	7.0000	PC			CAP CER:10nF:50V:10%:SMT805	[P0B1S:06: (1.0)(C9)]	*NOT available in DP
65	3.0000	PC			CAP CER:10nF:50V:X7R:10%:SMD805	[1:01: (3.0)(C48,C50,C54)]	*NOT available in DP
66	32.0000	PC			CAP CER:15nF:50V:10%:SMT805	[P0AAP:06: (8.0)(C70-C77)]	*NOT available in DP
67	1.0000	PC			CAP CER:47nF:50V:20%:SMT805	[P0B1S:1: (1.0)(C1)]	*NOT available in DP
68	536.0000	PC			CAP CER:100nF:50V;+80/-20%:SMT805	[P0AAQ:04: (6.0)(C39-C40,C42,C58-C59,C62)]	*NOT available in DP
69	14.0000	PC			CAP CER:100nF:50V:X7R:10%:SMT805	[1:01: (14.0)(C40-C43,C47,C51,C53,C64,C67-C68,C71,C75,C77,C80)]	*NOT available in DP
70	61.0000	PC			CAP CER:220nF:50V:10%:SMT805	[P0AAP:06: (8.0)(C155,C157,C159,C161-C165)]	*NOT available in DP
71	2.0000	PC			CAP CER:470nF:50V:10%:SMT805	[1:01: (2.0)(C59-C60)]	*NOT available in DP
72	3.0000	PC			CAP CER:1uF:50V:X7R:10%:SMD805	[1:01: (3.0)(C52,C56,C73)]	*NOT available in DP

Quantity	Unit	S.Sku	M.Sku	Description	Reference Designators	Notes
73	1.0000	PC		CAP CER:1nF550VX7R:10%SMT1206	{1:01:}{1:0}{C66}	*NOT available in DP
74	4.0000	PC		CAP CER:15pF50V;COG;5%SMD402;YAGEO	{P0AAQ:16:}{4:0}{C25-C26,C73-C74}}	*NOT available in DP
75	2.0000	PC		CAP CER:100nF;100V;X7R;10%;SMD1206	{1:01:}{2:0}{C44,C78}}	*NOT available in DP
76	1.0000	PC		CAP CER:100nF;100V;X7R;10%;SMD1206	{1:01:}{1:0}{C45}}	*NOT available in DP
77	2.0000	PC		CAP Y2;1nF;250V;PITCH:7mm5	{1:01:}{2:0}{C6,C10}}	*NOT available in DP
78	1.0000	PC		CAP Y1;2nF2;250V;P:10mm0;PRECUT:3MM1+/-0MM5	{1:01:}{1:0}{C22}}	*NOT available in DP
79	4.0000	PC		CAP Y2;2nF2;275V;PITCH:7mm5;DISC;CASE:4 x 10mm	{1:01:}{2:0}{C4-C5}}	*NOT available in DP
80	2.0000	PC	B12-32470-06719	CAP X2;470n;275V;P15;18*16.5*8.5;NOT PRECUT;	{1:01:}{1:0}{C9}}	
81	1.0000	PC		CAP E;2.2 mF;35 V;20 %;RADIAL;16*31.5;7.5 MM;PRECUT:3.3mm	{1:01:}{1:0}{C27}}	*NOT available in DP
82	5.0000	PC		CAP E;2mF2;10V;PITCH:5mm;10mm x 20mm;105C;LOW ESR;105C;VERTICAL 12.7-15-9mm	{1:01:}{5:0}{C26,C31-C32,C36-C37}}	*NOT available in DP
83	1.0000	PC		CAP E;10 uF;25 V;20 %;RADIAL;5*11;2.5 MM;T&R	{1:01:}{1:0}{C34}}	*NOT available in DP
84	1.0000	PC		CAP E;100 uF;25 V;20 %;RADIAL;6.3*11;2.5 MM;T&R	{1:01:}{1:0}{C18}}	*NOT available in DP
85	1.0000	PC		CAP E;220 uF;25 V;20 %;RADIAL;8*11;5.5 MM;T&R	{1:01:}{1:0}{C35}}	*NOT available in DP
86	3.0000	PC		CAP E;10 uF;50 V;20 %;RADIAL;5*11;2.5 MM;T&R	{1:01:}{3:0}{C30,C38-C39}}	*NOT available in DP
87	1.0000	PC		CAP E;22 uF;50 V;20 %;RADIAL;6.3*11;2.5 MM;T&R	{1:01:}{1:0}{C15}}	*NOT available in DP
88	2.0000	PC		CAP E;33 uF;50 V;20 %;RADIAL;6.3*11;2.5 MM;T&R	{1:01:}{2:0}{C13,C17}}	*NOT available in DP
89	1.0000	PC		CAP E;47 uF;50 V;20 %;RADIAL;6.3*11;2.5 MM;T&R	{1:01:}{1:0}{C19}}	*NOT available in DP
90	1.0000	PC		CAP E;680 uF;63 V;20 %;RADIAL;13*30;5 MM;PRECUT:3.2	{1:01:}{1:0}{C28}}	*NOT available in DP
91	1.0000	PC		CAP E;2.2 mF;25 V;20 %;13*35;5 MM;PRECUT:3.2;GF SERIES	{1:01:}{1:0}{C33}}	*NOT available in DP
92	1.0000	PC		CAP E;LOW ESR;3.3 mF;25 V;20 %;MM;RADIAL;13*40;Pre-CUT 3.3	{1:01:}{1:0}{C29}}	*NOT available in DP
93	1.0000	PC		CAP E;220uF;25V;PITCH:3mm5;8mm x 10mm;PRECUT:3mm2 - 0/+0mm2;105C;LOW ESR	{P0B15:13:}{1:0}{C7}}	*NOT available in DP
94	5.0000	PC		CAP CER:100pF;1KV;20%;PITCH:5mm;DISC;VERTICAL 12.7-15-9mm	{1:01:}{1:0}{C21}}	*NOT available in DP
95	1.0000	PC		CAP CER:470pF;1KV;10%;PITCH:5mm;DISC;VERTICAL 12.7-15-9mm	{1:01:}{1:0}{C82}}	*NOT available in DP
96	1.0000	PC		CAP CER:1nF;1KV;20%;PITCH:5mm;DISC;VERTICAL 12.7-15-9mm	{1:01:}{1:0}{C24}}	*NOT available in DP
97	1.0000	PC		CAP CER:10nF;630V;10%;5mm*3.5mm;5mm;DISC;VERTICAL 12.7-15-9mm	{1:01:}{1:0}{C79}}	*NOT available in DP
98	2.0000	PC		CAP FILM:1 uF;450 V;PPM;5 %;17.8 x 16.3 x 7.7mm;PITCH:15 mm;CL21X;FARATRONIC	{1:01:}{2:0}{C7-C8}}	*NOT available in DP
99	1.0000	PC		CAP FILM:100nF;400V;MPF;PITCH:10mm;PRECUT:3mm1 +/-0mm5	{1:01:}{1:0}{C11}}	*NOT available in DP
100	1.0000	PC		CAP E;47 uF;16 V;20 %;DXL;5X5MM;5;SMD	{P0AAQ:16:}{1:0}{C31}}	*NOT available in DP
101	1.0000	PC		CAP E;4uF7;25V;PITCH:2mm5;5mm x 11mm;105C;VERTICAL 12.7-15-9mm	{1:01:}{1:0}{C20}}	*NOT available in DP
102	1.0000	PC		CAP E;105C;150 uF;450 V;20 %;25*36;10 MM;SNAP IN;HP SERIES	{1:01:}{1:0}{C12}}	*NOT available in DP
103	160.0000	PC		CAP E;47uF;50V;PITCH:2mm5;6mm x 11mm;LOW LEAKAGE;VERTICAL 12.7-15-9mm	{P0AAP:06:}{40:0}{C166-C173,C206-C213,C278-C301}}	*NOT available in DP

**Circuit Protector**

Quantity	Unit	S.Sku	M.Sku	Description	Reference Designators	Notes
1	1.0000	PC	R22-00000-24721	FUSE;3.15 A;V;LOW;P5.08;SIZE:6.5*8*4	{1:01:}{1:0}{F1}}	
2	4.0000	PC	B22-00000-28566	FUSE;2.5 A;30V;RESETTING;PPTC;KRG0300250;TKS	{1:01:}{4:0}{F2-F5}}	
3	1.0000	PC	B22-00000-31473	FUSE;12 A;16V;RESETTING;PPTC;KRG0161200SR;TKS	{1:01:}{1:0}{F6}}	
4	1.0000	PC	B22-00000-42798	FUSE;3.15 A;V;MICRO TIME LAG;8mm5x7mm7;P5.08;BEL-R		
5	1.0000	PC	B22-00000-46822	FUSE;0.65 A;60V;RESETTING;KRG0600065SR;TKS	{1:01:}{1:0}{F7}}	

**Coil**

	Quantity	Unit	S.Sku	M.Sku	Description	Reference Designators	Notes
1	2.0000	PC		B37-00000-25502	COIL;CHOKE;78 uH;COIL 2;P5176 EF25 L(S-F);78uH+/-10%@1KHZ,0.25V	[1-01: (2.0)(L9,L11)]	
2	1.0000	PC		B37-00000-25503	COIL;CHOKE;25 uH;COIL 3;P5176 EF25 L(S-F);25uH+/-10%@1KHZ,0.25V	[1-01: (1.0)(L16)]	
3	2.0000	PC		B37-00000-25506	COIL;CHOKE;7mH;COIL 6;P5176 T20X10X8 L(S-F);2mH MIN@1KHZ,0.25V	[1-01: (2.0)(L5,L7)]	
4	1.0000	PC		B37-00000-25508	COIL;CHOKE;500 uH;COIL 7;P5176 T10X5X5 L(S-F);500uH MIN@1KHZ,0.25V	[1-01: (1.0)(L15)]	
5	3.0000	PC		B37-00000-27563	COIL;CHOKE;6 mH;T24L;6mH MIN@1KHZ,0.25V SG	[1-01: (1.0)(L3)]	
6	3.0000	PC		B37-00000-35431	COIL;CHOKE;1000 OHMS;SMD;SMDWCM32165-102-2P	[P0AAQ:15: (3.0)(L9-L11)]	
7	1.0000	PC		B37-00000-40106	COIL;CHOKE;260 uH;EC2824 L(12-5,6);260uH+/-10%@1KHZ,0.25V X32 SG	[1-01: (1.0)(L4)]	
8	1.0000	PC		B37-00000-40107	COIL;CHOKE;100 uH;T50-26 L;100uH+/-10%@1KHZ,0.25V X32	[1-01: (1.0)(L14)]	
9	1.0000	PC		B37-00000-40108	COIL;CHOKE;100 uH;T80-26 L;100uH+/-10%@1KHZ,0.25V X32	[1-01: (1.0)(L10)]	
10	2.0000	PC		B37-00000-40109	COIL;CHOKE;2 mH;T17X8X7 L;2mH MIN@1KHZ,0.25V X32	[1-01: (2.0)(L6,L8)]	
11	1.0000	PC		B37-00000-40110	COIL;CHOKE;170 uH;EF25 L(4-2);170uH+/-10%@1KHZ,0.25V X32 SG	[1-01: (1.0)(TR3)]	
12	1.0000	PC		B37-31002-06265	COIL;CHOKE;1mH;T12.7X7.9X6.35	[1-01: (1.0)(TR1)]	
13	3.0000	PC	R39-00000-03394	B39-00000-03394	COIL;SMD;BEAD;SMD0805;(BLM21BD751SN1D)	[P0AZP:06: (1.0)(L3)]	
14	3.0000	PC	R39-00000-17453	B39-00000-17453	COIL;SMD;1040;33 uH;20%;3A5;TAPE and Reel	[P0B15:06: (1.0)(L1)]	
15	3.0000	PC		B39-00000-19577	COIL;SMD;3.3 uH;3A;20%;SIZE:1040;TAPE and Reel	[P0AZP:06: (1.0)(L1)]	
16	1.0000	PC		B39-00000-19578	COIL;SMD;1040;2.2 uH;4A MIN;20%;TAPE and REEL	[P0AAQ:15: (1.0)(L1)]	
17	4.0000	PC		B39-21202-00018	COIL;SMD BEAD;SMD1608;(MURATA BLM18BB1211)	[P0AAQ:15: (4.0)(L5-L8)]	
18	10.0000	PC		B39-21202-00651	COIL;SMD BEAD;SMD603;(MURATA BLM18AG601SN11)	[P0AAQ:16: (10.0)(L1-L2,L4-L11)]	
19	64.0000	PC	R39-26000-21049	B39-26000-21049	COIL;SMD;BEAD;(BLM21AG6015)	[P0AAP:06: (16.0)(L1-L16)]	

**Computer**

	Quantity	Unit	S.Sku	M.Sku	Description	Reference Designators	Notes
1	1.0000	PC	R51-00000-59331	B51-00000-59331	MEMORY CARD;P0AAQ;128MB Industrial grade SLC micro5D		

Connector

	Quantity	Unit	S.Sku	M.Sku	Description	Reference Designators	Notes
1	1.0000	PC	R83-00000-11200	B83-00000-11200	USB CONNECTOR;4-VERTICAL;CHUNSHENG;USB-A-110BK-EP	[P0B1S:12: (1.0)(X11)]	
2	1.0000	PC	R83-00000-17677	B83-00000-17677	CONNECTOR;40;TX24-40P-LT-H1E	[P0AAQ:15: (1.0)(X8)]	
3	1.0000	PC		B83-00000-17678	CONNECTOR;40;TX25-40P-LT-H1E	[P0AZP:00: (1.0)(X11)]	
4	12.0000	PC	R83-00000-17806	B83-00000-17806	CONNECTOR;20;1 MM-SMD;FPC20 VERTICAL	[P0AAQ:15: (3.0)(X3-X4,X14)]	
5	2.0000	PC		B83-00000-17833	CONNECTOR;24;1 MM-SMD;FPC24 VERTICAL	[P0AAQ:04: (1.0)(X14)]	
6	1.0000	PC		B83-00000-18408	CONNECTOR;40;0.5 MM-SMD;FH12-40S-0.55V	[P0AAQ:15: (1.0)(X5)]	
7	29.0000	PC		B83-00000-50403	CONNECTOR;FFC;28 PIN;0.5 MM-SMD	[P0B1S:06: (8.0)(LD13-LD20)]	
8	1.0000	PC		B83-00000-57291	CONNECTOR;MICRO SD;HINGE;8;GOLD;SMD;MOLEX: 5009010801	[P0AAQ:16: (1.0)(X11)]	
9	2.0000	PC	R83-20184-37925	B83-20184-37925	CONNECTOR;FEMALE;ANGLED;USB;SINGLE;TYPE-B	[P0AZP:00: (1.0)(X6)]	
10	6.0000	PC		B84-22000-06018	CRIMP TERMINAL;PITCH;3mm;96;AWG18-22;A3963TOP-2		
11	274.0000	PC	R84-25016-06014	B84-25016-06014	CRIMP TERMINAL;PITCH;2mm;0;AWG24-30;A2008TOP-2		
12	1.0000	PC		B84-42050-00155	CRIMP CONNECTOR;LUG;INNER DIA;4mm;3;AWG 14-18;WIRE MOUNT;STRAIGHT		
13	5.0000	PC		B93-00000-51731	BARE WIRE;2;SMD;1206	[P0AAQ:15: (5.0)(R214-R215,R217,R220-R221)]	
14	1.0000	PC	R93-80000-01038	B93-80000-01038	CONNECTOR;BATTERY HOLDER;(H2611)	[P0AAQ:15: (1.0)(X10)]	
15	1.0000	PC	R95-00000-18075	B95-00000-18075	CONNECTOR;XLR;4;GOLD;FEMALE;NC4FAV	[P0B1S:10: (1.0)(X4)]	
16	2.0000	PC	R95-00000-18292	B95-00000-18292	CONNECTOR;XLR;8;2.54 MM-SHIELDED;NEUTRIK: N8FBH	[P0AAQ:15: (2.0)(X20-X21)]	
17	17.0000	PC	R95-00000-52553	B95-00000-52553	CONNECTOR;XLR;SOCKET;MALE;ANGLED;POLES;3;SHIELDED	[P0AAQ:15: (1.0)(X22)]	
18	2.0000	PC	R95-01320-03303	B95-01320-03303	CONNECTOR;XLR;SOCKET;MALE;STRAIGHT;POLES;3	[P0AAQ:05: (2.0)(X2-X3)]	
19	1.0000	PC	R95-14340-00164	B95-14340-00164	CONNECTOR;XLR;SOCKET;FEMALE;STRAIGHT;POLES;3;NO;06;(CHUN SHENG CT3-02HF)	[P0B1S:10: (1.0)(X11)]	
20	32.0000	PC	R95-14380-04268	B95-14380-04268	CONNECTOR;XLR;POLES;3;SOCKET;ANGLED;W/ PUSH TERMINAL	[P0AAQ:19: (8.0)(X5-X12)]	

**Diode**

	Quantity	Unit	S.Sku	M.Sku	Description	Reference Designators	Notes
1	2.0000	PC			DIODE:Schottky:DUAL:25A:100V;SB25100FCT;ITO:220AB	[1:01: (2.0)(D8,D11)]	*NOT available in DP
2	2.0000	PC			DIODE:HER207;DO15;RADIAL	[1:01: (2.0)(D2,D5)]	*NOT available in DP
3	130.0000	PC			DIODE:BAV103;SOD08;TEMIC	[P0AAP:06: (32.0)(D36-D37,D40-D43,D46-D49,D52-D55,D58-D61,D64-D67,D70-D73,D76-D79,D82-D83)]	*NOT available in DP
4	40.0000	PC			DIODE:BAV99;SOT23;SMD	[P0AAP:06: (10.0)(D2-D3,D20-D27)]	*NOT available in DP
5	55.0000	PC			DIODE:LL4148;LL34;TEMIC OR FC	[P0AZP:00: (1.0)(D1)]	*NOT available in DP
6	2.0000	PC			DIODE:GP:GS1G:400V;1A;DO-214AC;SMD	[1:01: (2.0)(D12-D13)]	*NOT available in DP
7	1.0000	PC			DIODE:ZENER:SMA;20V;1W;15MA4747	[1:01: (1.0)(D19)]	*NOT available in DP
8	2.0000	PC			DIODE:ZMM02V7;SMD1206	[1:01: (2.0)(D38-D39)]	*NOT available in DP
9	2.0000	PC			DIODE:ZMM05V1;SMD1206	[1:01: (2.0)(D17,D26)]	*NOT available in DP
10	64.0000	PC			DIODE:ZMM08V2;SMD1206;SMD	[P0AAP:06: (16.0)(D38-D39,D44-D45,D50-D51,D56-D57,D62-D63,D68-D69,D74-D75,D80-D81)]	*NOT available in DP
11	1.0000	PC			DIODE:ZMM09V1;SMD1206	[1:01: (1.0)(D14)]	*NOT available in DP
12	64.0000	PC			DIODE:ZMM12V0;SMD1206	[P0AAP:06: (16.0)(D4-D19)]	*NOT available in DP
13	3.0000	PC			DIODE:ZMM18V0;SMD1206	[1:01: (3.0)(D20-D21,D33)]	*NOT available in DP
14	1.0000	PC			DIODE:ZMM24V0;SMD1206	[1:01: (1.0)(D32)]	*NOT available in DP
15	1.0000	PC			DIODE:RECTIFIER:600 V;DO201AD;3A;ER306	[1:01: (1.0)(D3)]	*NOT available in DP
16	3.0000	PC			DIODE:RECTIFIER:40 V;FMS822;DO-214AB;SMD	[P0B15:06: (1.0)(D1)]	*NOT available in DP
17	1.0000	PC			DIODE:RECTIFIER:DUAL;ULTRAFAST;10A;200V;STH1002CFP;TO-220FPAB	[1:01: (1.0)(D6)]	*NOT available in DP
18	1.0000	PC			DIODE:RECTIFIER:45 V;TO220;POWER SR;2*10A;45V;MBR2045FCT;TO220F	[1:01: (1.0)(D10)]	*NOT available in DP
19	2.0000	PC			DUAL RECTIFIER;TO220;MBR2020FCT	[1:01: (2.0)(D7,D9)]	*NOT available in DP
20	1.0000	PC			DIODE:ES3D;DO-214AB;SMD	[1:01: (1.0)(D34)]	*NOT available in DP
21	2.0000	PC			DIODE:S VRCLAMP0502B;SOT-523	[P0AAQ:16: (2.0)(D1-D2)]	*NOT available in DP
22	4.0000	PC			DIODE:SUPERFAST;ES1D;200V;1A;15NS;DO-214AC;SMD	[1:01: (4.0)(D25,D29-D31)]	*NOT available in DP
23	1.0000	PC	X80-00000-12035	H80-00000-12035	RECTIFIER, BRIDGE;800 V;GBU;GBU8K;8A	[1:01: (1.0)(D1)]	

**Display**

	Quantity	Unit	S.Sku	M.Sku	Description	Reference Designators	Notes
1	29.0000	PC	S25-00000-17804	C25-00000-17804	DISPLAY;LCD;CABLE;23mm;DOT:128*64;28PIN;17.9x10.86mm		
2	1.0000	PC	S25-00000-23108	C25-00000-23108	DISPLAY;LCD;AT070TN83V.1		

Hardware

	Quantity	Unit	S.Sku	M.Sku	Description	Reference Designators	Notes
1	2.0000	PC			CABLE TIE:25 MM;GREY;RIBBON CABLE CLAMP;PVC;3M4945 ADHESIVE;WIDTH:0.5"		*NOT available in DP
2	17.0000	PC			CABLE TIE:NYLON;4in;COLOR:		*NOT available in DP
3	5.0000	PC			WIREFLAMP:LUG:3mm;LENGTH:52mm;OUTER DIA:7mm;5;PLASTIC COVERED STEEL;COLOR:BLK		*NOT available in DP
4	1.8000	G			THERM-GREASE;COLOR:WHT;SPEC:NO:09286		*NOT available in DP
5	0.5000	G			SCREWLOCK;SPEC:NO:01090		*NOT available in DP
6	14.0000	PC			NUT:M3 MM;3.2 MM;HEX WASHER;7.3 MM;ZINC;BLUE;HEXAGON REC.;0.5 MM;M3*0.5mm NUT WITH TEETH EXTERNAL WASHER		*NOT available in DP
7	1.0000	PC			HEX. NUT;INNER DIA:M4mm;SURFACE:ZINC		*NOT available in DP
8	14.0000	PC			HEX. NUT;FOR JACK;M 3/8in;HEX;WRENCH:11mm;THICKNESS:2mm;SURFACE:NICKEL/SLV		*NOT available in DP
9	2.0000	PC			OCT. NUT;FOR JACK;3/8in;OCT;WRENCH:14.5mm;THICKNESS:3.5mm;SURFACE:NICK EL/SILVER		*NOT available in DP
10	1.0000	PC	V87-00200-10103	F87-00200-10103	RUBBER BUSHING;00172P-DST:NO:002;DPT:NO:10103;(00172P- RUBBER_BUSHING-REVb.dwg)		
11	1.0000	PC			SCREW:M3 MM;1.5 MM;PAN WASHER;ZINC;BLUE/WHITE;PHILIPS REC.;0.5 MM;M3mm*1.5mm;HEAD:PAN&SPRING WASHER;BLUE/ZINC		*NOT available in DP
12	16.0000	PC			SCREW:M3 MM;5 MM;BINDING;6 MM;ZINC;BLACK;PHILIPS REC.;0.5 MM;M3mm*5mm;HEAD:BINDING;INSERT:PHILIPS REC,H		*NOT available in DP
13	62.0000	PC			SCREW:M3 MM;8 MM;PAN WASHER;5 MM;SILVER/ZINC;PHILIPS REC.;0.5 MM;M03mm*8mm; PAN SPRING WASHER;PHILIPS REC,H		*NOT available in DP
14	124.0000	PC			SCREW:M3 MM;6 MM;PAN WASHER;5 MM;SILVER/ZINC;PHILIPS REC.;0.5 MM;M03mm*6mm; PAN SPRING WASHER;PHILIPS REC,H		*NOT available in DP
15	50.0000	PC			SCREW:M2mm*2mm;HEAD:PAN;INSERT:PHILIPS REC.;SURFACE:BLACK/ZINC		*NOT available in DP
16	1.0000	PC			SCREW:M3mm*6mm;HEAD:PAN SPRING WASHER;INSERT:PHILIPS REC.;SURFACE:SILVER/NIC	[1:01:]{1:0}(M11)}	*NOT available in DP
17	10.0000	PC			SCREW:M3mm*8mm;HEAD:PAN SPRING WASHER;INSERT:PHILIPS REC.;SURFACE:SILVER/NIC	[1:01:]{1:0}(M1-M10)}	*NOT available in DP
18	25.0000	PC			SCREW:M3mm*4mm;HEAD:PAN;INSERT:PHILIPS REC.;SURFACE:BLACK/ZINC		*NOT available in DP
19	20.0000	PC			SCREW:BT3mm*6mm;HEAD:PAN;INSERT:PHILIPS REC.;SURFACE:BLACK/ZINC		*NOT available in DP
20	2.0000	PC			SCREW:M3mm*6mm;HEAD:TRUSS;INSERT:PHILIPS REC.;SURFACE:BLACK/ZINC		*NOT available in DP
21	8.0000	PC			SCREW:M3mm*6mm;PITCH:0mm;HEAD:FLAT;DIA:5mm;2;INSERT:P HILIPS REC.;SURFACE:BLACK/ZINC		*NOT available in DP
22	107.0000	PC			SCREW:A3mm*8mm;HEAD:PAN;INSERT:PHILIPS REC.;SURFACE:BLACK/ZINC		*NOT available in DP
23	4.0000	PC			SCREW:BT3mm*8mm;HEAD:PAN;INSERT:PHILIPS REC.;SURFACE:BLACK/ZINC		*NOT available in DP
24	11.0000	PC			SCREW:M4mm*8mm;HEAD:PAN;INSERT:PHILIPS REC.;SURFACE:BLACK/ZINC		*NOT available in DP
25	5.0000	PC			SCREW:M4mm*12mm;HEAD:PAN WASHER DIA 9mm;INSERT:PHILIPS REC.;SURFACE:BLACK/ZINC		*NOT available in DP
26	4.0000	PC			SCREW:M4mm*30mm;HEAD:PAN;INSERT:PHILIPS REC.;SURFACE:BLACK/ZINC		*NOT available in DP
27	1.0000	PC			SHIELD;XLR MALE;DWG:NO:13436;(R14-SRC2000-XLRSHIELDMALE- REV.G.DWG)	[P0B15:10:]{1:0}(X5)}	*NOT available in DP
28	1.0000	PC			SHIELD;XLR FEMALE;DWG:NO:13437;(R14-SRC2000- XLRSHIELDFEMALE-REV.G.DWG)	[P0B15:10:]{1:0}(X2)}	*NOT available in DP
29	1.0000	PC			SILICA GEL;MASS:30g;SPEC:NO:30QB-8B2001-4		*NOT available in DP

Quantity	Unit	S.Sku	M.Sku	Description	Reference Designators	Notes
30	10.0000	PC		STUD;M3x37.45 MM;HEX;0.7 MM;P0AAQ-IOPCB-STUD-REVA		*NOT available in DP
31	25.0000	PC		STUD;M;HEX;P0ASF-FADER-STUD		*NOT available in DP
32	1.0000	PC		STUD;BRASS;STUD, THROUGH HOLE.DIA 3MM5,LENGTH 7MM4,		*NOT available in DP
33	9.0000	PC		STUD;M;7.9 MM;0.5 MM;P0AAP-FADER-STUD		*NOT available in DP
34	1.0000	PC		STUD;M;DIA:3 MM;LEN:7.1 MM;HEX;OD:5 MM;PITCH:0.5 MM;X32V2-MASTER-FADER-STUD		*NOT available in DP
35	1.0000	PC		STUD;THREAD-DIA:3mm;LENGTH:13mm5;INT/INT		*NOT available in DP
36	49.0000	PC		STUD;THREAD-DIA:3mm;LENGTH:13mm8;INT/INT		*NOT available in DP
37	0.0280	M		SHRINKING TUBE;12 MM;BLACK;HIGH TEMPERATURE,Dia. 12mm;150C		*NOT available in DP
38	0.3100	M		SHRINKING TUBE;INNER DIA:1mm;SPEC.NO:43217		*NOT available in DP
39	30.0000	MM		SHRINKING TUBE;INNER DIA:2MM;SPEC NO:15747		*NOT available in DP
40	0.0540	M		SHRINKING TUBE;INNER DIA:3mm;SPEC.NO:01097		*NOT available in DP
41	0.0840	M		SHRINKING TUBE;INNER DIA:4mm;SPEC.NO:01098		*NOT available in DP
42	0.0800	M		SHRINKING TUBE;INNER DIA:6mm;SPEC.NO:01099		*NOT available in DP
43	0.0200	M		SHRINKING TUBE;INNER DIA:14mm;SPEC.NO:01100		*NOT available in DP
44	2.0000	PC		WASHER;9.7 MM;16 MM;NICKEL;WHITE;WASHER;FLAT;DIM:9.7*16*0.5mm;NIC		*NOT available in DP
45	1.0000	PC		WASHER;PLAIN;INNER DIA:3mm;OUTER DIA:6mm;THICKNESS:0mm5		*NOT available in DP
46	1.0000	PC		WASHER;PLAIN;INNER DIA:4mm;OUTER DIA:10mm;THICKNESS:1mm;PLATING:NICKEL		*NOT available in DP
47	14.0000	PC		WASHER;PLAIN;INNER DIA:9mm6;OUTER DIA:13mm;THICKNESS:0mm5;PLATING:NICKEL		*NOT available in DP
48	1.0000	PC		WASHER;SPRING;INNER DIA:4mm;OUTER DIA:7mm;THICKNESS:1mm7		*NOT available in DP
49	1.0000	PC		WASHER;EXTERNAL TEETH;INNER DIA:4mm;OUTER DIA:7mm;THICKNESS:1mm7		*NOT available in DP
50	0.0510	M	V97-00000-23179	F97-00000-23179	OTHER;GROMMET STRIP;1.5MM PANEL THICKNESS	
51	1.0000	PC	V97-00000-54455	F97-00000-54455	FOAM SHEET;P0AAQ-CONDUCTIVE-FOAM1.REVA	
52	2.0000	PC	V97-00000-54456	F97-00000-54456	FOAM SHEET;P0AAQ-CONDUCTIVE-FOAM2.REVA	
53	2.0000	PC	V97-00000-83715	F97-00000-83715	FOAM SHEET;P0AWP-CONDUCTIVE SPONGE.REVA	
54	70.0000	PC			SCREW;M3mm*5mm;PITCH:0mm5;HEAD:FLAT;DIA:4mm5;INSERT:P HILIPS REC.;SURFACE:BLACK/ZINC	*NOT available in DP

Ic

	Quantity	Unit	S.Sku	M.Sku	Description	Reference Designators	Notes
1	4.0000	PC	560-00000-10781	C60-00000-10781	IC:AD/DA/LQFP:48;CS5368-CQZ	[P0AAP:06: (1.0)(IC6)]	
2	1.0000	PC	560-00000-18248	C60-00000-18248	IC:AD/DA:52;CS42438;MQFP;SMD	[P0AAQ:15: (1.0)(IC10)]	
3	2.0000	PC	560-00000-21615	C60-00000-21615	IC:AD/DA/LQFP:48&D/A CONVERTER;CS4385-CQZ	[P0AAQ:20: (1.0)(IC6)]	
4	3.0000	PC	560-56154-30520	C60-56154-30520	IC:CONVERTER;TLIC1543CDW;SO20	[P0B1S:06: (1.0)(IC6)]	
5	115.0000	PC	577-00000-29050	C73-00000-29050	IC:OPAMP;SMD;SOP:8;BA4580RF	[P0AAQ:04: (3.0)(IC1-IC3)]	
6	5.0000	PC	573-58007-40514	C73-31007-40514	IC:OPAMP OPAMP;TL074-SOP;	[P0AAQ:15: (5.0)(IC11,IC14,IC16,IC21,IC24)]	
7	1.0000	PC	573-55035-80508	C73-55035-80508	IC:OPAMP OPAMP;LM358;SOP 8D	[1-01: (1.0)(IC13)]	
8	2.0000	PC	573-59458-00408	C73-59458-00408	IC:OPAMP OPAMP;NJM4580L;SIP	[P0B1S:11: (2.0)(IC3-IC4)]	
9	1.0000	PC	574-00000-21794	C74-00000-21794	IC:POWER-CONVERSION;SO-8;PFC CONTROLLER;L6562D	[1-01: (1.0)(IC7)]	
10	1.0000	PC	574-00000-29659	C74-00000-29659	IC:POWER-CONVERSION;SOIC;8;UC3844D8	[1-01: (1.0)(IC6)]	
11	2.0000	PC	574-00000-29817	C74-00000-29817	IC:POWER-CONVERSION;AIC2354GV5;SOT-23-5;SMD	[P0AZP:00: (1.0)(IC1)]	
12	1.0000	PC	574-55031-70703	C74-55031-70703	IC:VOLT.REGULATOR;LM317T;TO220	[1-01: (1.0)(IC4)]	
13	3.0000	PC	574-66159-10508	C74-66159-10508	IC:CONVERTER;MP1591DS;SOP/150;SMD	[P0B1S:06: (1.0)(IC1)]	
14	1.0000	PC	577-00000-18293	C77-00000-18293	IC:VOLT.REGULATOR;DC to DC;32;ADP2114ACPZ-R7;CP-32-2;SMD	[P0AAQ:15: (1.0)(IC7)]	
15	1.0000	PC	577-00000-21793	C77-00000-21793	IC:VOLT.REGULATOR;TO220-5;LM2576T-ADJG	[1-01: (1.0)(IC3)]	
16	5.0000	PC	577-00128-03000	C77-00128-03000	IC:VOLT.REGULATOR;ZENERSHUNT.REGULATOR;SOT23;LM431ACM3/N1	[1-01: (5.0)(IC8-IC12)]	
17	15.0000	PC	577-00128-03001	C77-00128-03001	IC:VOLT.REGULATOR;ADJUSTABLE;SOT223;NCP1117STAT3;SMD	[P0AAQ:15: (1.0)(IC1)]	
18	1.0000	PC	577-00155-03001	C77-00155-03001	IC:VOLT.REGULATOR;ADJUSTABLE;DPAKNCP1117DTARKG;SMD	[P0AZP:00: (1.0)(IC6)]	
19	6.0000	PC	577-03128-03001	C77-03128-03001	IC:VOLT.REGULATOR;NCP1117S3T3;SOT223	[P0AAQ:15: (1.0)(IC2)]	
20	1.0000	PC	577-18128-03001	C77-18128-03001	VOLT.REGULATOR;AZ1117H-1.8TRE1;SOT223;SMD	[P0AAQ:16: (1.0)(IC6)]	
21	1.0000	PC	578-55039-32208	C78-55039-32208	IC:COMPARATOR;LM393;SOIC	[1-01: (1.0)(IC5)]	
22	1.0000	PC	T10-00000-18827	D10-00000-18827	IC:ASIC;MSOP:10;CS2000CP-CZZR	[P0AAQ:15: (1.0)(IC13)]	
23	1.0000	PC	T10-00000-78020	D10-00000-78020	IC:ASIC;124;SMD;XS1-L16A-128-QF124-C10	[P0AZP:00: (1.0)(IC48)]	
24	1.0000	PC	T10-00000-78031	D10-00000-78031	IC:USB Transceiver;QFN:32;SMD;USB3340	[P0AZP:00: (1.0)(IC3)]	
25	4.0000	PC	T12-00000-12043	D12-00000-12043	IC:DIG COMM.;SOIC;8;MLVDS TRANSCEIVER;SMD;SN65MLVD204AD	[P0AAQ:15: (4.0)(IC17-IC18,IC22-IC23)]	REPLACED: C73-58007-40514
26	3.0000	PC	T12-00000-18249	D12-00000-18249	IC:DIG COMM.;QFN:24;SMD;LAN8720A-CP	[P0AAQ:15: (2.0)(IC19-IC20)]	
27	2.0000	PC	T17-00001-16874	D17-00001-16874	IC:SDRAM;SMD;TSOP;PINS:54;TAPE AND REEL;MT48LC8M16A2P-6A:L	[P0AAQ:15: (2.0)(IC3-IC4)]	
28	2.0000	PC	T18-00000-18247	D18-00000-18247	IC:DSP;LQFP:208;ADSP-21371KSWZ-2B;SMD	[P0AAQ:15: (2.0)(IC5-IC6)]	
29	5.0000	PC	T19-00037-04631	D19-00037-04631	IC:FLASH;STM32F103RBT6;LQFP64;32-Bit MCU with Flash Memory	[P0B1S:06: (1.0)(IC5)]	
30	1.0000	PC	T19-00074-05121	D19-00074-05121	IC:FLASH MEMORY;W25X40;CLSNIG;SMD;SOIC-8	[1-01: (1.0)(IC67)]	
31	1.0000	PC	T22-00000-18232	D22-00000-18232	IC:LOGIC;5;74LVC1G07GV;SOT753;SMD	[P0AAQ:15: (1.0)(IC26)]	
32	1.0000	PC	T22-00000-78023	D22-00000-78023	IC:LOGIC;BUFFER;SC70-6;SMD;NCP7WZ07P6X	[P0AZP:00: (1.0)(IC8)]	
33	6.0000	PC	T22-27010-82805	D22-27010-82805	IC:LOGIC;74LVC1G08;SOT-23;5PIN;SMD	[P0AAP:06: (1.0)(IC7)]	
34	1.0000	PC	T22-27020-42806	D22-27020-42806	IC:INVERTER;74LVC2G04-SOP	[P0B1S:08: (1.0)(IC5)]	
35	7.0000	PC	T22-27024-50520	D22-27024-50520	IC:LOGIC;74LVC245-SOP	[P0AAQ:15: (1.0)(IC15)]	
36	28.0000	PC	T22-31016-50516	D22-31016-50516	IC:LOGIC;74HC165-SOP	[P0B1S:06: (4.0)(IC7-IC10)]	
37	6.0000	PC	T22-32027-30520	D22-32027-30520	IC:LOGIC;74HCT273-SOP	[P0B1S:06: (2.0)(IC3-IC4)]	
38	138.0000	PC	T22-32059-50520	D22-32059-50520	IC:LOGIC;74HC1595-SOP	[P0AAP:06: (9.0)(IC8-IC16)]	
39	7.0000	PC	T24-18081-61832	D24-18081-61832	IC:MICROCONTROLLER;ATMEGA8A-AU;SMD;TQFP32	[1-01: (1.0)(IC7)]	
40	2.0000	PC	T24-48030-02803	D24-48030-02803	IC:MICROCONTROLLER;MAX8095TRGVth2.93V;SOT	[P0AZP:00: (1.0)(IC5)]	
41	1.0000	PC	T28-54534-00616	D28-54534-00616	IC:CONVERTER A/D CONVERTER;CS5340-CZZ;TSSOP	[P0AAQ:15: (1.0)(IC9)]	
42	1.0000	PC	T29-00000-18234	D29-00000-18234	IC:SRAM;SOIC;8;ISL1208IB82;SMD	[P0AAQ:16: (1.0)(IC2)]	
43	1.0000	PC	T29-00000-29818	D29-00000-29818	IC:SRAM;60;I543LR163208-6BL;BGA;SMD	[P0AAQ:16: (1.0)(IC1)]	

	Quantity	Unit	S.Sku	M.Sku	Description	Reference Designators	Notes
44	64.0000	PC	T30-00000-61526	D30-00000-61526	IC;SWITCH/MUPLEX;SMD;SOIC;16;W411	[P0AAP:06: (1.6.0) (IC29-IC44)]	
45	1.0000	PC	T30-02206-52208	D30-02206-52208	IC;SWITCH/MUPLEX-POWER DISTRIBUTION SWITCH;1A;SOIC;TPS2065D	[P0AAQ:16: (1.0) (IC5)]	
46	1.0000	PC	T32-00000-18409	D32-00000-18409	IC;EPROM;PROGM;BGA;256;XC3S1400A-4FTG256C;SMD	[P0AAQ:15: (1.0) (IC12)]	
47	1.0000	PC	T33-00000-29831	D33-00000-29831	IC;MICROCONTROLLER, PROGRAMMED;MC1MX253DJM4A;17X17 MAPBGA-400;SMD	[P0AAQ:16: (1.0) (IC3)]	
48	1.0000	PC		D33-00001-16252	IC;MICROCONTROLLER, PROGRAMMED;MICROCONTROLLERW25X40CL;X-USB V010	[P0AZP:00: (1.0) (IC67)]	
49	1.0000	PC		D33-00001-16254	IC;MICROCONTROLLER, PROGRAMMED;FIRMWARE ATMEGA8A-AU;X-USB V3	[P0AZP:00: (1.0) (IC7)]	
50	1.0000	PC		D33-00001-23668	IC;MICROCONTROLLER, PROGRAMMED;EPROM DATA;SD-Card Image Build;V2.10 and V2.11		
51	4.0000	PC	T12-00000-12043	D12-00000-12043	IC;DIG COMM.;SOIC;8;MLVDS TRANSCEIVER;SMD;SN65MLVD204AD	[P0AAQ:15: (4.0) (IC17-IC18;IC22-IC23)]	(EU, UL, UK, SAA, BR, AR, HM)

Led

	Quantity	Unit	S.Sku	M.Sku	Description	Reference Designators	Notes
1	1.0000	PC		E10-00000-13289	LED HIB;3mm0 ROUND;RED;Len: White Diffuse; Head BASE: 4.5X5.08	[P0AZP:00: (1.0) (LD1)]	
2	238.0000	PC		E10-00000-19576	LED HIB;TRANSPARENT AMBER;SMD603	[P0B15:13: (56.0) (LD21-LD76)]	
3	48.0000	PC	U10-00000-39409	E10-00000-39409	LED HIB;GREEN;SMD603	[P0B15:06: (16.0) (LD45-LD60)]	
4	20.0000	PC	U10-00000-39410	E10-00000-39410	LED HIB;WHITE;SMD603	[P0B15:09: (20.0) (LD1-LD4;LD6-LD7;LD13;LD17;LD29;LD33;LD48-LD49;LD64;LD68;LD80;LD84;LD96;LD100;LD106-LD107)]	
5	29.0000	PC	U10-00000-39412	E10-00000-39412	LED HIB;GREEN;SMD805	[P0B15:06: (11.0) (LD2-LD4;LD102-LD109)]	
6	103.0000	PC	U10-00000-39413	E10-00000-39413	LED HIB;RED;SMD805	[P0B15:06: (25.0) (LD5-LD12;LD37-LD44;LD85-LD92;LD101)]	
7	32.0000	PC		E10-00000-47170	LED;RED;LEN;RED;DIFFUSE;HIB;3MM ROUND;ANGLE;BASE:4.5X5.08X6	[P0AAQ:19: (8.0) (LD1-LD8)]	
8	62.0000	PC		E10-00000-79125	LED HIB;WAVELENGTH:586-596nm;TRANSPARENT AMBER;SMD805	[P0B15:06: (9.0) (LD1;LD29-LD36)]	
9	3.0000	PC	U10-09590-02370	E10-09590-02370	LED;SMD;WAVELENGTH:465nm;COLOR:YELLOW;REFLECTOR;WATER CLEAR;(LIGITEK LG-192VY-CT)	[P0AAQ:15: (3.0) (LD1-LD3)]	
10	45.0000	PC		E14-00000-33404	LED SUB;GREEN;SMD603;WATER CLEAR	[P0B15:03: (2.0) (LD147;LD150)]	
11	156.0000	PC	U14-00000-33405	E14-00000-33405	LED SUB;AMBER;SMD603;WATER CLEAR	[P0B15:06: (32.0) (LD61-LD84;LD93-LD100)]	
12	29.0000	PC	U15-00000-40123	E15-00000-40123	LED HIB;BLUE/GREEN/RED;SMD3.5X2.8	[P0B15:06: (8.0) (LD21-LD28)]	

**Metal Part**

	Quantity	Unit	S.Sku	M.Sku	Description	Reference Designators	Notes
1	1.0000	PC		A62-00000-58228	METAL-POAAQ:TIN PLATE T=0.3mm;SHIELD:BENDING + PUNCHING		
2	1.0000	PC		A62-00000-70548	METAL-PANEL-POAAQ;SECC 1.2mm;BENDING + PUNCHING;POAAQ-SIDE, RIGHT-REVB		
3	1.0000	PC		A62-00000-70549	METAL-PANEL-POAAQ;SECC 1.2mm;BENDING + PUNCHING;POAAQ-SIDE, LEFT-REV B		
4	1.0000	PC		A63-00000-12034	METAL-POA1W;AL A6063;HEATSINK;EXTRUSION-OXIDIZING;NATURAL;SMALL HEATSINK,POA1W;REV.B	[1:01: (1.0)(H53)]	
5	1.0000	PC		A63-00000-30059	METAL-POAAQ;ALUMINIUM;HEATSINK;BLANKING + PUNCHING + BENDING;POAAQ-HEATSINK-L-REVA	[1:01: (1.0)(H52)]	
6	1.0000	PC		A63-00000-30060	METAL-POAAQ;ALUMINIUM;HEATSINK;BLANKING + PUNCHING + BENDING;POAAQ-HEATSINK-R-REVA	[1:01: (1.0)(H51)]	
7	2.0000	PC	Q65-00000-06911	A65-00000-06911	METAL-POACL;SUS 201;MACHINING;DRAW, PULL;REVA		
8	3.0000	PC	Q65-00000-24959	A65-00000-24959	METAL-PO274;SPCC 0.8mm;MOUNT;BENDING + PUNCHING;PLATING TIN;MOUNTING HELP;J00053P;REV.B	[POAZP:00: (3.0)(M1-M3)]	
9	1.0000	PC		A65-00000-25002	METAL-POAAQ;SECC 1.0mm;SHIELD:BENDING + PUNCHING;NATURAL-POAAQ-SHIELD, EMI-REVA		
10	1.0000	PC		A65-00000-25218	METAL-POAAQ;SECC 1.0mm;MOUNT;BENDING + PUNCHING;NATURAL-POAAQ-DISPLAY, MOUNT-REVA		
11	1.0000	PC		A65-00000-30074	METAL-POAAQ;SECC 0.8mm;SHIELD;BLANKING + BENDING;POAAQ-PSU-SHIELD-REVA		
12	3.0000	PC	Q65-00000-37710	A65-00000-37710	METAL-POAAQ;SECC 2.0mm;HOLDER;BENDING + PUNCHING;POAAQ-FADER-BRACKET-RAIL-REVA		
13	1.0000	PC		A65-00000-65022	METAL-POAAQ;SECC 1.0mm;HOLDER;BENDING + PUNCHING;NATURAL-POAAQ-VENT-SHIELD-REVB		
14	25.0000	PC		A65-00000-68537	METAL-POAAQ;SECC 0.8mm;BRACKET;BENDING + PUNCHING;POAAQ-BRACKET, FADER-REVC		
15	3.0000	PC		A65-00000-71075	METAL-RAIL-POAAP;SECC 2.0mm;PUNCHING AND BENDING;POAAP-FADER-BRACKET-RAIL-TOP		
16	1.0000	PC		A65-00000-79532	METAL-BAR;POAAP;SECC 0.8mm;BLANKING + PUNCHING + BENDING;LCD-GROUNDING-BAR-LEFT-REVB		
17	1.0000	PC		A65-00000-79533	METAL-BAR;POAAP;SECC 0.8mm;BLANKING + PUNCHING + BENDING;LCD-GROUNDING-BAR-RIGHT-REVB		
18	1.0000	PC		A65-00000-84015	METAL-CAGE;POAAP;SECC 1.0mm;BLANKING + PUNCHING + BENDING;POAAP-PLUGIN-CARD-CAGE-REVA		
19	1.0000	PC		A65-00000-85264	METAL-HOLDER;POB15;SECC 1.2mm;BLANKING + PUNCHING + BENDING;X32-SUPPORTER-REVA		
20	1.0000	PC		A65-00000-96512	METAL-FRONT;POAAQ;MATERIAL-AL 6063 T3-MEDIUM GLOSS;EXTRUSION;POWDER COATING;450;POAAQ-ARMREST-REVC		
21	1.0000	PC	Z00-00000-84315	J00-00000-84315	METAL-PANEL-POAZP;SECC 1.2mm;BLANKING + PUNCHING;PAINTING NORMAL;8403;COVER,A001		
22	1.0000	PC		J02-00000-88974	METAL-PANEL-POB15;MATERIAL-SECC 1.2mm;BENDING + PUNCHING;PAINTING NORMAL;DARK GRAY METALLIC;BOTTOM CASE,A001		
23	1.0000	PC	Z05-00000-88972	J05-00000-88972	METAL-PANEL-POB15;MATERIAL-SECC 1.2mm;BLANKING + PUNCHING + BENDING;SPRAYING;DARK GRAY METALLIC;TOP,A001		

Plastic Part

	Quantity	Unit	S.Sku	M.Sku	Description	Reference Designators	Notes
1	5.0000	PC	W51-00100-14745	G51-00100-14745	PLASTIC;RUBFOOT;P0738;DST.NO:001;DPT.NO:14745;(P0738-RUBFOOT-REVA.DWG)		
2	6.0000	PC	W52-00000-31661	G52-00000-31661	PLASTIC;P0AAQ;ABS;KNOB;BLACK;P0AAQ-KNOB-DISPLAY-REVA		
3	17.0000	PC	W52-00000-35743	G52-00000-35743	PLASTIC;P0AAQ;ABS;KNOB;TRANSPARENT;BLACK;P0AAQ-LED-COLLAR-KNOB-REVA		
4	3.0000	PC	W52-00000-35745	G52-00000-35745	PLASTIC;P0AAQ;KNOB;2-SHOT INJECTION MOULDING;BLACK;GREY;P0AAQ-KNOB-MONITOR-REVA		
5	25.0000	PC	W52-00000-58519	G52-00000-58802	PLASTIC;P0AAQ;ABS;KNOB;ANODIZING CHROME(III);CHROME;P0AAQ-FADER-KNOB-NEW		
6	1.0000	PC		G52-00000-85803	PLASTIC;BUTTON;P0B15;RUBBER;P0B15-DISPLAY-RUBBER-8-REVA		
7	2.0000	PC		G52-00000-85804	PLASTIC;BUTTON;P0B15;RUBBER;P0B15-DISPLAY-RUBBER-4-REVA		
8	5.0000	PC		G53-00000-17755	PLASTIC;P0AAQ;ABS;HOLDER;INJECTION MOULDING;BLACK;P0AAQ-LCD HOLDER SINGLE-REVA		
9	3.0000	PC	W53-00000-17757	G53-00000-17757	PLASTIC;P0AAQ;ABS;HOLDER;INJECTION MOULDING;BLACK;P0AAQ-LCD HOLDER CHANNELB-REVA		
10	1.0000	PC	W53-00000-25130	G53-00000-25130	PLASTIC;P0AAQ;ABS;SIDE;INJECTION MOULDING;MATT;PAINTING NORMAL;BLACK;P0AAQ-SIDE_CAP_LEFT-REVA		
11	1.0000	PC	W53-00000-25132	G53-00000-25132	PLASTIC;P0AAQ;ABS;SIDE;INJECTION MOULDING;GLOSS HIGH;PAINTING NORMAL;BLACK;P0AAQ-SIDE_CAP_RIGHT-REVA		
12	1.0000	PC	W53-00000-35748	G53-00000-35748	PLASTIC;P0AAQ;ABS;HOLDER;BLACK;P0AAQ-LED_METER_EQ-REVA		
13	2.0000	PC	W53-00000-35749	G53-00000-35749	PLASTIC;P0AAQ;ABS;HOLDER;BLACK;P0AAQ-LED_METER_SINGLE-REVA		
14	1.0000	PC		G53-00000-37711	PLASTIC;P0AAQ;SILICON RUBBER;PAD;BLACK MATT;P0AAQ-PHONE-BAY-RUBBER-REVA		
15	1.0000	PC		G53-00000-37712	PLASTIC;P0AAQ;ABS;HOLDER;INJECTION MOULDING;MATTE;PAINTING NORMAL;BLACK;P0AAQ-PHONE-BAY-REVA		
16	25.0000	PC	W53-00000-56330	G53-00000-56330	PLASTIC;P0AAQ;POM (Polyoxymethylene);WHEEL;INJECTION;GLOSS HIGH;BLACK;P0AAQ-WHEEL-REVA		
17	25.0000	PC		G53-00000-58726	PLASTIC;P0AAQ;RACK;INJECTION;P0AAQ-FADER-BELT		
18	3.0000	PC		G53-00000-59100	PLASTIC;P0AAQ;PC (Polycarbonate);HOLDER;2-SHOT INJECTION MOULDING;BLACK;TRANSPARENT;P0AAQ-LED-METER_DISPLAY REV B		
19	9.0000	PC		G53-00000-70623	PLASTIC;HOUSING;P0AAP;ABS;INJECTION;GLOSS HIGH;BLACK;P0AAP-BUTTON-HOUSING-H8-REVA		
20	1.0000	PC		G53-00000-70624	PLASTIC;HOUSING;P0AAP;ABS ;INJECTION;GLOSS HIGH;BLACK;P0AAP-BUTTON-HOUSING-2X3-REVA		
21	2.0000	PC		G53-00000-70626	PLASTIC;HOUSING;P0AAP;ABS;INJECTION;GLOSS HIGH;BLACK;P0AAP-BUTTON-HOUSING-V4-REVA		
22	5.0000	PC		G53-00000-70634	PLASTIC;HOUSING;P0AAP;ABS;INJECTION;GLOSS HIGH;BLACK;P0AAP-BUTTON-HOUSING-SINGLE-REVA		
23	1.0000	PC		G53-00000-70645	PLASTIC;HOUSING;P0AWP;ABS;INJECTION;BLACK;P0AWP-SINGLEK_BUTTON_HOUSING-REVA		
24	27.0000	PC	W53-00000-77640	G53-00000-77640	PLASTIC;EPE;P0AAQ;ABS PC1 and 2 SHOT INJECTION MOULDING;YS11001A;BLACK;TRANSPARENT;P0AAQ-LED_METER REV B		
25	2.0000	PC		G53-00000-81372	PLASTIC;BUTTON;P0AAP;SILICON RUBBER;RUBBER TOOLING;TRANSPARENT WHITE DIFFUSED;RUBBER-V4-REVA		
26	9.0000	PC		G53-00000-81373	PLASTIC;BUTTON;P0AAP;SILICON RUBBER;RUBBER TOOLING;TRANSPARENT WHITE DIFFUSED;RUBBER-H8-REVA		
27	5.0000	PC		G53-00000-81375	PLASTIC;BUTTON;P0AAP;SILICON RUBBER;RUBBER TOOLING;TRANSPARENT WHITE DIFFUSED;RUBBER-SINGLE-REVA		
28	1.0000	PC		G53-00000-81378	PLASTIC;BUTTON;P0AAP;SILICON RUBBER;RUBBER TOOLING;TRANSPARENT WHITE DIFFUSED;RUBBER-2X3-REVA		

Quantity	Unit	S.Sku	M.Sku	Description	Reference Designators	Notes
29	1.0000	PC	G53-00000-85227	PLASTIC;BUTTON;P0B15;RUBBER;PAINTING NORMAL;TRANSPARENT WHITE DIFFUSED;X32-RUBBER-B3-REVA		
30	1.0000	PC	G53-00000-85229	PLASTIC;BUTTON;P0B15;RUBBER;PAINTING NORMAL;TRANSPARENT WHITE DIFFUSED;X32-RUBBER-B1-REVA		
31	1.0000	PC	G53-00000-85230	PLASTIC;BUTTON;P0B15;RUBBER;PAINTING NORMAL;TRANSPARENT WHITE DIFFUSED;X32-RUBBER-B253-REVA		
32	1.0000	PC	G53-00000-85231	PLASTIC;BUTTON;P0B15;RUBBER;PAINTING NORMAL;TRANSPARENT WHITE DIFFUSED;X32-RUBBER-B2X4-REVA		
33	1.0000	PC	G53-00000-85232	PLASTIC;BUTTON;P0B15;RUBBER;PAINTING NORMAL;TRANSPARENT WHITE DIFFUSED;X32-RUBBER-S4-REVA		
34	1.0000	PC	G53-00000-85233	PLASTIC;BUTTON;P0B15;RUBBER;PAINTING NORMAL;TRANSPARENT WHITE DIFFUSED;X32-RUBBER-B351-REVA		
35	1.0000	PC	G53-00000-85234	PLASTIC;BUTTON;P0B15;RUBBER;PAINTING NORMAL;TRANSPARENT WHITE DIFFUSED;X32-RUBBER-B252-REVA		
36	2.0000	PC	G53-00000-85235	PLASTIC;BUTTON;P0B15;RUBBER;PAINTING NORMAL;TRANSPARENT WHITE DIFFUSED;X32-RUBBER-B451-REVA		
37	1.0000	PC	G53-00000-85236	PLASTIC;BUTTON;P0B15;RUBBER;MOULDING;PAINTING NORMAL;TRANSPARENT WHITE DIFFUSED;X32-RUBBER-B151-REVA		
38	1.0000	PC	G53-00000-85237	PLASTIC;BUTTON;P0B15;RUBBER;INJECTION;PAINTING (RUBBER);TRANSPARENT WHITE DIFFUSED;X32-RUBBER-B452-REVA		
39	1.0000	PC	G53-00000-85245	PLASTIC;HOUSING;P0B15;ABS;INJECTION;GLOSS HIGH;BLACK;X32-HOUSING-B3-REVA		
40	1.0000	PC	G53-00000-85246	PLASTIC;HOUSING;P0B15;ABS;INJECTION;GLOSS HIGH;BLACK;X32-HOUSING-B1-REVA		
41	1.0000	PC	G53-00000-85247	PLASTIC;HOUSING;P0B15;ABS;INJECTION;GLOSS HIGH;BLACK;X32-HOUSING-B252-REVA		
42	1.0000	PC	G53-00000-85248	PLASTIC;HOUSING;P0B15;ABS;INJECTION;GLOSS HIGH;BLACK;X32-HOUSING-B2X4-REVA		
43	1.0000	PC	G53-00000-85249	PLASTIC;HOUSING;P0B15;ABS;INJECTION;GLOSS HIGH;BLACK;X32-HOUSING-S4-REVA		
44	1.0000	PC	G53-00000-85250	PLASTIC;HOUSING;P0B15;ABS;INJECTION;GLOSS HIGH;BLACK;X32-HOUSING-B351-REVA		
45	1.0000	PC	G53-00000-85251	PLASTIC;HOUSING;P0B15;ABS;INJECTION;GLOSS HIGH;BLACK;X32-HOUSING-B252-REVA		
46	2.0000	PC	G53-00000-85252	PLASTIC;HOUSING;P0B15;ABS;INJECTION;GLOSS HIGH;BLACK;X32-HOUSING-B451-REVA		
47	1.0000	PC	G53-00000-85253	PLASTIC;HOUSING;P0B15;ABS;INJECTION;GLOSS HIGH;BLACK;X32-HOUSING-B151-REVA		
48	1.0000	PC	G53-00000-85254	PLASTIC;HOUSING;P0B15;ABS;INJECTION;GLOSS HIGH;BLACK;X32-HOUSING-B452-REVA		
49	1.0000	PC	G53-00000-85828	PLASTIC;BUTTON;P0AWP-SILICON RUBBER;RUBBER TOOLING;TRANSPARENT WHITE DIFFUSED;P0AWP-SINGLE RUBBER BUTTON-REVA		
50	17.0000	PC	W53-00000-97898	G53-00000-97898	PLASTIC;HOLDER;P0AAQ;ABS PC-2 SHOT INJECTION MOULDING;Y511001A;TRANSPARENT;BLACK;P0AAQ-LED-COLLAR-REVB	
51	25.0000	PC	G53-00001-04389	G53-00001-04389	PLASTIC;WHEEL;P0AHW;POM (Polyoxymethylene);INJECTION;WHITE;GEAR	
52	25.0000	PC	G53-00001-17990	G53-00001-17990	PLASTIC;HOLDER;P0AHW;POM (Polyoxymethylene);INJECTION;GEAR HOLDER REV.A	
53	29.0000	PC	W54-00000-37713	G54-00000-37713	PLASTIC;P0AAQ;ACRYLIC;LENS;P0AAQ-LCD-LENS-FLAT-REVA	
54	25.0000	PC	W58-00000-45211	G58-00000-45211	PLASTIC;P0246;NYLON 66(POLYAMIDE 66);FADER;INJECTION;BLACK;BELT HOLDER REV.D	
55	1.0000	PC	G58-00000-52835	G58-00000-52835	PLASTIC;P0AAQ;ABS (VO);HOLDER;INJECTION;P0AAQ-Ferrite-holder-REVA	
56	1.0000	PC	W58-00000-70647	G58-00000-70647	PLASTIC;RING;P0AWP;ABS;P0AWP-USB-RING-REVA	
57	1.0000	PC	Y63-00000-49750	63-00000-49750	PLASTIC;P0AAQ;PC (Polycarbonate);LENS;TRANSPARENT;P0AAQ-DISPLAY-OVERLAY-REVA	

	Quantity	Unit	S.Sku	M.Sku	Description	Reference Designators	Notes
58	1.0000	PC	Y63-00000-79512	163-00000-79512	PLASTIC;CASE;P0AAP;ABS;INJECTION;SPRAYING;BLACK;DISPLAY-HOUSING-REV B		
59	1.0000	PC		163-00000-86838	PLASTIC;BUTTON;P0B15;PC;INJECTION;PAINTING NORMAL;BLACK MATT;TRANSPARENT;P0B15-DISPLAY-BUTTON-HOME-REVA		
60	1.0000	PC		163-00000-86846	PLASTIC;BUTTON;P0B15;PC;INJECTION;PAINTING NORMAL;BLACK MATT;TRANSPARENT;P0B15-DISPLAY-BUTTON-UTILITY-REVA		
61	1.0000	PC		163-00000-86848	PLASTIC;BUTTON;P0B15;PC;INJECTION;PAINTING NORMAL;BLACK MATT;TRANSPARENT;P0B15-DISPLAY-BUTTON-METERS-REVA		
62	1.0000	PC		163-00000-86850	PLASTIC;BUTTON;P0B15;PC;INJECTION;PAINTING NORMAL;BLACK MATT;TRANSPARENT;P0B15-DISPLAY-BUTTON-ROUTING-REVA		
63	1.0000	PC		163-00000-86852	PLASTIC;BUTTON;P0B15;PC;INJECTION;PAINTING NORMAL;BLACK MATT;TRANSPARENT;P0B15-DISPLAY-BUTTON-SETUP-REVA		
64	1.0000	PC		163-00000-86853	PLASTIC;BUTTON;P0B15;PC;INJECTION;PAINTING NORMAL;BLACK MATT;TRANSPARENT;P0B15-DISPLAY-BUTTON-LIBRARY-REVA		
65	1.0000	PC		163-00000-86854	PLASTIC;BUTTON;P0B15;PC;INJECTION;PAINTING NORMAL;BLACK MATT;TRANSPARENT;P0B15-DISPLAY-BUTTON-EFFECT-REVA		
66	1.0000	PC		163-00000-86855	PLASTIC;BUTTON;P0B15;PC;INJECTION;PAINTING NORMAL;BLACK MATT;TRANSPARENT;P0B15-DISPLAY-BUTTON-MUTEGRP-REVA		
67	4.0000	PC		163-00000-86867	PLASTIC;BUTTON;P0B15;PC;INJECTION;PAINTING NORMAL;BLACK MATT;TRANSPARENT;P0B15-DISPLAY-BUTTON-PSLUD-REVA		

## Plug Socket

	Quantity	Unit	S.Sku	M.Sku	Description	Reference Designators	Notes
1	16.0000	PC	W64-01211-03174	G64-01211-03174	PLUG;JACK STEREO 6mm;3;STRAIGHT SOLDER/W/O MET.RNG.;MET.BUSH.;NO NUT/WASHER;(JY-6351G-02-250)	[P0AAQ:04: (12.0)(X1-X6,X8-X13)]	
2	1.0000	PC	W67-00000-17679	G67-00000-17679	SOCKET;HOUSING;3;R-3015N-B09		
3	1.0000	PC	W68-34004-17323	G68-34004-17323	PLUG;RCA;SOCKET;RCA;JACK4P/S;FEMALE;POLES:04;STRAIGHT	[P0AAQ:04: (1.0)(X7)]	
4	26.0000	PC	G71-00000-17674	G71-00000-17674	WAFER;2P;ROWS:1;ANGLED;PITCH:2 MM;HY-2PAW	[P0B15:06: (8.0)(X1-X8)]	
5	2.0000	PC	G71-00000-18295	G71-00000-18295	PCB SOCKET;PIN SOCKET;HOUSING;24;ROWS:2;ANGLED;2 MM;SMD	[P0AAQ:15: (2.0)(X11,X16)]	
6	2.0000	PC	G71-00000-18297	G71-00000-18297	PCB SOCKET;PIN SOCKET;HOUSING;32;ROWS:2;ANGLED;2 MM;SMD	[P0AAQ:15: (2.0)(X12,X17)]	
7	2.0000	PC	G71-00000-18401	G71-00000-18401	PIN HEAD;24;ROWS:2;ANGLED;2 MM;DUAL SMD PIN HEADER	[P0AAQ:16: (2.0)(X3,X5)]	
8	2.0000	PC	G71-00000-18402	G71-00000-18402	PIN HEAD;32;ROWS:2;ANGLED;2 MM;DUAL SMD PIN HEADER	[P0AAQ:16: (2.0)(X4,X6)]	
9	2.0000	PC	G71-00000-25923	G71-00000-25923	WAFER;PCB WAFER;2;ROWS:1;ANGLED;7.92 MM;J51120	[1-01: (1.0)(X3)]	
10	2.0000	PC	G71-23102-04756	G71-23102-04756	WAFER;POLES:2;STRAIGHT;PITCH:2 mm;1 ROW;TYPE:A2006WV-2P	[1-01: (2.0)(X7,X11)]	
11	4.0000	PC	G71-23103-04757	G71-23103-04757	WAFER;POLES:3;STRAIGHT;PITCH:2 mm;1 ROW;TYPE:A2006WV-3P	[P0AAQ:05: (1.0)(X5)]	
12	6.0000	PC	W71-23104-04758	G71-23104-04758	WAFER;POLES:4;STRAIGHT;PITCH:2 mm;1 ROW;TYPE:A2006WV-4P	[P0AAQ:15: (2.0)(X13,X19)]	
13	3.0000	PC	G71-23105-04745	G71-23105-04745	WAFER;POLES:5;STRAIGHT;PITCH:2 mm;1 ROW;TYPE:A2006WV-5P	[P0B15:06: (1.0)(X13)]	
14	2.0000	PC	G71-23106-04965	G71-23106-04965	WAFER;POLES:6;STRAIGHT;PITCH:2 mm;1 ROW;TYPE:A2006WV-6P	[P0B15:07: (1.0)(X13)]	
15	2.0000	PC	W71-23108-04747	G71-23108-04747	WAFER;POLES:8;STRAIGHT;PITCH:2 mm;1 ROW;TYPE:A2006WV-8P	[1-01: (1.0)(X5)]	
16	1.0000	PC	W71-23110-04749	G71-23110-04749	WAFER;POLES:10;STRAIGHT;PITCH:2 mm;1 ROW;TYPE:A2006WV-10P	[1-01: (6.0)(X4,X8,X12-X13,X15-X16)]	
17	7.0000	PC	G71-23112-04751	G71-23112-04751	WAFER;POLES:12;STRAIGHT;PITCH:2 mm;1 ROW;TYPE:A2006WV-12P	[1-01: (1.0)(X9)]	
18	2.0000	PC	G71-23113-04752	G71-23113-04752	WAFER;POLES:13;STRAIGHT;PITCH:2 mm;1 ROW;TYPE:A2006WV-13P	[P0B15:11: (1.0)(X11)]	
19	1.0000	PC	G71-23115-04754	G71-23115-04754	WAFER;POLES:15;STRAIGHT;PITCH:2 mm;1 ROW;TYPE:A2006WV-15P	[2:02: (1.0)(X1)]	
20	1.0000	PC	G71-23116-04755	G71-23116-04755	WAFER;POLES:16;STRAIGHT;PITCH:2 mm;1 ROW;TYPE:A2006WV-16P		
21	1.0000	PC	G71-27102-04450	G71-27102-04450	WAFER;POLES:2;STRAIGHT;PITCH:3.96 mm;1 ROW;J51120-03-S1;NO MIDDLE PIN	[2:02: (1.0)(X1)]	
22	26.0000	PC	G71-43102-05994	G71-43102-05994	PLUG;HOUSING;POLES:2;ROWS:1;STRAIGHT;PITCH:2mm;TYP:A2008		
23	3.0000	PC	G71-43103-05995	G71-43103-05995	PLUG;HOUSING;POLES:3;ROWS:1;STRAIGHT;PITCH:2mm;TYP:A2008		
24	6.0000	PC	W71-43104-05996	G71-43104-05996	PLUG;HOUSING;POLES:4;ROWS:1;STRAIGHT;PITCH:2mm;TYP:A2008		
25	2.0000	PC	G71-43105-05997	G71-43105-05997	PLUG;HOUSING;POLES:5;ROWS:1;STRAIGHT;PITCH:2mm;TYP:A2008		
26	2.0000	PC	G71-43106-05998	G71-43106-05998	PLUG;HOUSING;POLES:6;ROWS:1;STRAIGHT;PITCH:2mm;TYP:A2008		
27	2.0000	PC	W71-43108-06000	G71-43108-06000	PLUG;HOUSING;POLES:8;ROWS:1;STRAIGHT;PITCH:2mm;TYP:A2008		
28	1.0000	PC	W71-43110-06002	G71-43110-06002	PLUG;HOUSING;POLES:10;ROWS:1;STRAIGHT;PITCH:2mm;TYP:A2008		
29	7.0000	PC	G71-43112-06004	G71-43112-06004	PLUG;HOUSING;POLES:12;ROWS:1;STRAIGHT;PITCH:2mm;TYP:A2008		
30	2.0000	PC	G71-43113-06005	G71-43113-06005	PLUG;HOUSING;POLES:13;ROWS:1;STRAIGHT;PITCH:2mm;TYP:A2008		
31	1.0000	PC	G71-43115-06763	G71-43115-06763	PLUG;HOUSING;POLES:15;ROWS:1;STRAIGHT;PITCH:2mm;TYP:A2008		
32	1.0000	PC	G71-43116-06764	G71-43116-06764	PLUG;HOUSING;POLES:16;ROWS:1;STRAIGHT;PITCH:2mm;TYP:A2008		
33	3.0000	PC	W71-47103-05845	G71-47103-05845	PLUG;HOUSING;A3963H02;PITCH:3mm;96;POLES:3;ROWS:1;JUL94-V0;STRAIGHT		
34	224.0000	PC	G71-80000-05663	G71-80000-05663	BD.-IN-CONN;TERMINAL;SAN-002T-0.8A		
35	1.0000	PC	G71-83102-05642	G71-83102-05642	BOARD-IN-CONNECTOR;POLES:2;ROWS:1;STRAIGHT;PITCH:2 mm		
36	3.0000	PC	G71-83103-05643	G71-83103-05643	BOARD-IN-CONNECTOR;POLES:3;ROWS:1;STRAIGHT;PITCH:2 mm		
37	6.0000	PC	G71-83104-05644	G71-83104-05644	BOARD-IN-CONNECTOR;POLES:4;ROWS:1;STRAIGHT;PITCH:2 mm		
38	2.0000	PC	G71-83105-05647	G71-83105-05647	BOARD-IN-CONNECTOR;POLES:5;ROWS:1;STRAIGHT;PITCH:2 mm		
39	2.0000	PC	G71-83106-05650	G71-83106-05650	BOARD-IN-CONNECTOR;POLES:6;ROWS:1;STRAIGHT;PITCH:2 mm		
40	2.0000	PC	G71-83108-05652	G71-83108-05652	BOARD-IN-CONNECTOR;POLES:8;ROWS:1;STRAIGHT;PITCH:2 mm		
41	1.0000	PC	G71-83110-05654	G71-83110-05654	BOARD-IN-CONNECTOR;POLES:10;ROWS:1;STRAIGHT;PITCH:2 mm		
42	7.0000	PC	G71-83112-05657	G71-83112-05657	BOARD-IN-CONNECTOR;POLES:12;ROWS:1;STRAIGHT;PITCH:2 mm		
43	2.0000	PC	G71-83113-05818	G71-83113-05818	BOARD-IN-CONNECTOR;POLES:13;ROWS:1;STRAIGHT;PITCH:2 mm		

	Quantity	Unit	S.Sku	M.Sku	Description	Reference Designators	Notes
44	1.0000	PC		G71-83115-05661	BOARD-IN-CONNECTOR;POLES:15;ROWS:1;STRAIGHT;PITCH:2 mm		
45	1.0000	PC		G71-83116-05819	BOARD-IN-CONNECTOR;POLES:16;ROWS:1;STRAIGHT;PITCH:2 mm		
46	1.0000	PC	W76-00000-02200	G76-00000-02200	PLUG;RJ45;DUAL ROW;ANGLED	[P0AAQ:15: (1.0)(X23)]	
47	1.0000	PC		G76-00000-18427	PLUG;DIN;RJ45;8;2.54 MM;RJ45-112-8P8C-EP	[P0AAQ:15: (1.0)(X24)]	
48	2.0000	PC	W76-10580-03132	G76-10580-03132	PLUG;DIN;PLUG;FEMALE;POLES:5;ANGLED	[P0AAQ:15: (2.0)(X25-X26)]	

**Power Supply**

	Quantity	Unit	S.Sku	M.Sku	Description	Reference Designators	Notes
1	1.0000	PC	W83-02153-01037	G83-02153-01037	BUTTON-CELL;CAPACITY:215mAh;3V;SPEC.NO:01037;(CR2032)		X10
2	1.0000	PC	Z63-00000-40102	J63-00000-40102	TRANSFORMER;P0AAQ;EC3542 L:3.4mH MIN@1KHZ;0.25V X32 5G	[1:01: (1.0)(TR2)]	
3	2.0000	PC	Z66-00000-12096	J66-00000-12096	TRAFQ;PULSE;P0ACL;VoIP MAGNETIC MODULE;H2006ANL;SMD	[P0AAQ:15: (2.0)(TR1-TR2)]	
4	1.0000	PC	Z66-05612-33272	J66-05612-33272	TRAFQ;PULSE;PE-65612;SPEC.NO:33272	[P0AAQ:15: (1.0)(TR3)]	
5	1.0000	PC	W83-02153-01037	G83-02153-01037	BUTTON-CELL;CAPACITY:215mAh;3V;SPEC.NO:01037;(CR2032)		(EU, UL, UK, SAA, BR, AR, HM)

**Quarz**

	Quantity	Unit	S.Sku	M.Sku	Description	Reference Designators	Notes
1	7.0000	PC		H64-00000-15597	QUARZ;OSCILLATOR;8MHz;8pF;SIZE:5X3.2mm;50ppm;SMD	[P0AZP:00: (1.0)(Q2)]	
2	1.0000	PC		H64-00000-18819	QUARZ;OSCILLATOR;16 MHz;SMD;3.3V;50PPM;SIZE:7X5X1.5	[P0AAQ:15: (1.0)(Q1)]	
3	1.0000	PC		H64-00000-29819	QUARZ;OSCILLATOR;25 MHz;8pF;5X3MM2;SMD	[P0AAQ:16: (1.0)(Q2)]	
4	1.0000	PC		H64-00000-78019	QUARZ;OSCILLATOR;13 MHz;SMD;3.3V;SIZE:7X5X1.5	[P0AZP:00: (1.0)(Q3)]	
5	5.0000	PC	X65-00000-17608	H65-00000-17608	QUARZ;RESONATOR;12 MHz;8pF;SMD;SIZE:5X3MM2;50ppm	[P0B15:06: (1.0)(Q1)]	
6	1.0000	PC		H65-00000-36991	QUARZ;RESONATOR;24 MHz;8pF;SMD;SIZE:5X3.2	[P0AAQ:16: (1.0)(Q4)]	
7	2.0000	PC		H65-00000-38720	QUARZ;RESONATOR;32.768 kHz;SMD;3.2*1.5	[P0AAQ:16: (2.0)(Q1,Q3)]	

Resistor

	Quantity	Unit	S.Sku	M.Sku	Description	Reference Designators	Notes
1	32.0000	PC			RESISTOR;METAL;110 ohm;0W100;1 %;100 PPM;SMD603;MET	[P0AAP-06: (8.0)(R232-R239)]	*NOT available in DP
2	2.0000	PC			RESISTOR;CARBON;43.2 ohm;0W125;1 %;100 PPM;SMD805;THICK FILM	[1:01: (2.0)(R86,R88)]	*NOT available in DP
3	64.0000	PC			RESISTOR;METAL;130 ohm;0W100;1 %;100 PPM;SMD603;MET	[P0AAP-06: (16.0)(R176-R183,R192-R199)]	*NOT available in DP
4	32.0000	PC			RESISTOR;METAL;15 ohm;0W100;1 %;100 PPM;SMD603;MET	[P0AAP-06: (8.0)(R288-R295)]	*NOT available in DP
5	2.0000	PC			RESISTOR;METAL;23.7 kohm;0W100;1 %;SMD805;MET	[1:01: (2.0)(R73,R79)]	*NOT available in DP
6	64.0000	PC			RESISTOR;METAL;62 ohm;0W100;1 %;100 PPM;SMD603;MET	[P0AAP-06: (16.0)(R240,R247,R249,R251,R253,R255,R257,R259,R261,R263)]	*NOT available in DP
7	1.0000	PC			RESISTOR;METAL;6.2 kohm;0W25;1 %;SMD1206	[1:01: (1.0)(R39)]	*NOT available in DP
8	2.0000	PC			RESISTOR;METAL;620 kohm;0W25;1 %;SMD1206	[1:01: (2.0)(R22-R23)]	*NOT available in DP
9	2.0000	PC			RESISTOR;METAL;68 kohm;0W25;1 %;SMD1206	[1:01: (2.0)(R29-R30)]	*NOT available in DP
10	6.0000	PC			RESISTOR;CARBON;4.7 kohm;0.0625 W;5 %;100 ppm;SMD402	[P0AAQ-16: (6.0)(R59-R60,R63-R66)]	*NOT available in DP
11	32.0000	PC			RESISTOR;METAL;11 ohm;0W0625;1 %;200 PPM;SMD603;THICK FILM	[P0AAP-06: (8.0)(R296,R298,R300,R302,R304,R306,R308,R310)]	*NOT available in DP
12	32.0000	PC			RESISTOR;METAL;27 ohm;0W0625;1 %;200 PPM;SMD603;THICK FILM	[P0AAP-06: (8.0)(R272-R279)]	*NOT available in DP
13	64.0000	PC			RESISTOR;THICK FILM;6K8 ohm; 1%;SMD1210	[P0AAP-06: (16.0)(R456-R471)]	*NOT available in DP
14	29.0000	PC			RESISTOR;CARBON;180ohm;5%;0W063;SMD603	[P0B1S-06: (8.0)(R47,R61,R72-R73,R96,R121-R123)]	*NOT available in DP
15	5.0000	PC			RESISTOR;CARBON;0ohm;5%;0W063;SMD603	[P0AAQ-15: (5.0)(R11,R22-R24,R27)]	*NOT available in DP
16	1.0000	PC			RESISTOR;CARBON;20ohm;2.5%;0W063;SMD603	[P0AZP-00: (1.0)(R224)]	*NOT available in DP
17	5.0000	PC			RESISTOR;CARBON;10ohm;5%;0W063;SMD603	[P0AAQ-15: (2.0)(R222-R223)]	*NOT available in DP
18	29.0000	PC			RESISTOR;CARBON;33ohm;5%;0W063;SMD603	[P0AZP-00: (23.0)(R3,R5-R11,R17-R20,R23-R26,R31-R34,R42,R46-R47)]	*NOT available in DP
19	26.0000	PC			RESISTOR;CARBON;47ohm;5%;0W063;SMD603	[P0AAQ-15: (15.0)(R6-R7,R9-R10,R13-R15,R17,R82,R86-R87,R92,R97-R98,R207)]	*NOT available in DP
20	157.0000	PC			RESISTOR;CARBON;100ohm;5%;0W063;SMD603	[P0AZP-00: (1.0)(R62)]	*NOT available in DP
21	743.0000	PC			RESISTOR;CARBON;330ohm;5%;0W063;SMD603	[P0AAQ-15: (4.0)(R16,R18,R69,R165)]	*NOT available in DP
22	32.0000	PC			RESISTOR;CARBON;1Kohm;5%;0W063;SMD603	[P0AZP-00: (4.0)(R21-R22,R35,R221)]	*NOT available in DP
23	2.0000	PC			RESISTOR;CARBON;1Kohm;2.5%;0W063;SMD603	[P0B1S-11: (2.0)(R32,R36)]	*NOT available in DP
24	31.0000	PC			RESISTOR;CARBON;2Kohm;5%;0W063;SMD603	[P0B1S-06: (8.0)(R103,R106-R110,R112-R113)]	*NOT available in DP
25	4.0000	PC			RESISTOR;CARBON;2Kohm;2.5%;0W063;SMD603	[P0AZP-00: (1.0)(R27)]	*NOT available in DP
26	32.0000	PC			RESISTOR;CARBON;3Kohm;9.5%;0W063;SMD603	[P0AAP-06: (8.0)(R248,R250,R252,R254,R256,R258,R260,R262)]	*NOT available in DP
27	33.0000	PC			RESISTOR;CARBON;4Kohm;7.5%;0W063;SMD603	[P0AZP-00: (1.0)(R71)]	*NOT available in DP
28	1.0000	PC			RESISTOR;CARBON;6Kohm;8.5%;0W063;SMD603	[P0AZP-00: (1.0)(R79)]	*NOT available in DP
29	327.0000	PC			RESISTOR;CARBON;10Kohm;5%;0W063;SMD603	[P0AZP-00: (7.0)(R16,R30,R41,R43-R44,R58,R223)]	*NOT available in DP
30	1.0000	PC			RESISTOR;CARBON;15Kohm;5%;0W063;SMD603	[P0B1S-11: (1.0)(R15)]	*NOT available in DP
31	1.0000	PC			RESISTOR;CARBON;18Kohm;5%;0W063;SMD603	[P0B1S-11: (1.0)(R2)]	*NOT available in DP
32	48.0000	PC			RESISTOR;CARBON;20Kohm;5%;0W063;SMD603	[P0AAQ-04: (24.0)(R19-R42)]	*NOT available in DP
33	1.0000	PC			RESISTOR;CARBON;22Kohm;5%;0W063;SMD603	[P0AAQ-15: (1.0)(R44)]	*NOT available in DP
34	1.0000	PC			RESISTOR;CARBON;27Kohm;5%;0W063;SMD603	[P0AAQ-15: (1.0)(R42)]	*NOT available in DP
35	3.0000	PC			RESISTOR;CARBON;30Kohm;5%;0W063;SMD603	[P0B1S-06: (1.0)(R8)]	*NOT available in DP
36	39.0000	PC			RESISTOR;CARBON;47Kohm;5%;0W063;SMD603	[P0AZP-00: (1.0)(R60)]	*NOT available in DP
37	2.0000	PC			RESISTOR;CARBON;82Kohm;5%;0W063;SMD603	[P0B1S-11: (2.0)(R8,R14)]	*NOT available in DP
38	8.0000	PC			RESISTOR;CARBON;100Kohm;5%;0W063;SMD603	[P0AAQ-20: (1.0)(R45)]	*NOT available in DP
39	3.0000	PC			RESISTOR;CARBON;150Kohm;5%;0W063;SMD603	[P0B1S-06: (1.0)(R18)]	*NOT available in DP
40	34.0000	PC			RESISTOR;METAL;10ohm;1%;0W063;SMD603	[P0AAP-06: (8.0)(R33,R36,R39,R42,R45,R48,R51,R54)]	*NOT available in DP
41	32.0000	PC			RESISTOR;METAL;33ohm;1%;0W063;SMD603	[P0AAP-06: (8.0)(R280-R287)]	*NOT available in DP

Quantity	Unit	S.Sku	M.Sku	Description	Reference Designators	Notes
42	32.0000	PC		RESISTOR:METAL:51ohm1%;0W063;SMD603	[P0AAP-06: (8.0)(R104,R106,R108,R110,R112,R114,R116,R118)]	*NOT available in DP
43	4.0000	PC		RESISTOR:METAL:51ohm1%;1%METAL:0W063;SMD603	[P0AAQ-16: (4.0)(R47,R50,R53,R56)]	*NOT available in DP
44	96.0000	PC		RESISTOR:METAL:120ohm;1%;0W063;SMD603	[P0AAP-06: (24.0)(R57-R58,R61-R62,R65-R66,R69-R70,R73-R74,R77-R78,R81-R82,R85-R86,R264-R271)]	*NOT available in DP
45	1.0000	PC		RESISTOR:METAL:200ohm;1%;0W063;SMD603	[P0AZP-00: (1.0)(R70)]	*NOT available in DP
46	1.0000	PC		RESISTOR:METAL:332ohm;1%;0W063;SMD603	[P0AZP-00: (1.0)(R69)]	*NOT available in DP
47	32.0000	PC		RESISTOR:METAL:390ohm;1%;0W063;SMD603	[P0AAP-06: (8.0)(R204-R211)]	*NOT available in DP
48	32.0000	PC		RESISTOR:METAL:470ohm;1%;0W063;SMD603	[P0AAP-06: (8.0)(R216-R223)]	*NOT available in DP
49	6.0000	PC		RESISTOR:METAL:499ohm;1%;0W063;SMD603	[P0AAQ-15: (6.0)(R62,R96,R103,R140,R155,R180)]	*NOT available in DP
50	96.0000	PC		RESISTOR;SMD;METAL:910ohm;1%;0W063;SMD603	[P0AAP-06: (24.0)(R56,R59-R60,R63-R64,R67-R68,R71-R72,R75-R76,R79-R80,R83-R84,R87-R184-R191)]	*NOT available in DP
51	113.0000	PC		RESISTOR:METAL:1Kohm;1%;0W063;SMD603	[P0AAQ-15: (16.0)(R34,R40,R48-R49,R58,R61,R93,R95,R99,R102,R137,R139,R151,R154,R177,R179)]	*NOT available in DP
52	64.0000	PC		RESISTOR:METAL:1Kohm1%;1%;0W063;SMD603	[P0AAQ-20: (32.0)(R102-R109,R114,R116-R117,R119-R120,R122-R123,R125,R159,R161,R163,R165,R167,R169,R171,R173-R181)]	*NOT available in DP
53	32.0000	PC		RESISTOR:METAL:1Kohm3%;1%;0W063;SMD603	[P0AAP-06: (8.0)(R224-R231)]	*NOT available in DP
54	1.0000	PC		RESISTOR:METAL:2Kohm;1%;0W063;SMD603	[P0AZP-00: (1.0)(R2)]	*NOT available in DP
55	32.0000	PC		RESISTOR:METAL:2Kohm2%;1%;0W063;SMD603	[P0AAP-06: (8.0)(R165,R167,R169,R171-R175)]	*NOT available in DP
56	32.0000	PC		RESISTOR:METAL:2Kohm2%;1%;0W063;SMD603	[P0AAQ-20: (16.0)(R110-R113,R115,R118,R121,R124,R158,R160,R162,R164,R166,R168,R170,R172)]	*NOT available in DP
57	16.0000	PC		RESISTOR:METAL:2Kohm6%;1%;0W063;SMD603	[P0AAQ-15: (16.0)(R63-R66,R115-R118,R131-R134,R181-R184)]	*NOT available in DP
58	32.0000	PC		RESISTOR;SMT;2Kohm7%;1%METAL:0W063;SMD603	[P0AAP-06: (8.0)(R128,R130,R132,R134,R136-R139)]	*NOT available in DP
59	1.0000	PC		RESISTOR:METAL:3Kohm;1%;0W063;SMD603	[P0AZP-00: (1.0)(R1)]	*NOT available in DP
60	64.0000	PC		RESISTOR:METAL:3Kohm30%;1%;0W063;SMD603	[P0AAP-06: (16.0)(R337-R338,R341-R342,R345-R346,R349-R350,R353-R354,R357-R358,R361-R362,R365-R366)]	*NOT available in DP
61	32.0000	PC		RESISTOR:METAL:3Kohm32%;1%;0W063;SMD603	[P0AAQ-20: (16.0)(R46,R49-R50,R53-R54,R57-R58,R61,R86-R93)]	*NOT available in DP
62	32.0000	PC		RESISTOR:METAL:3Kohm74%;1%;0W063;SMD603	[P0AAQ-20: (16.0)(R37-R44,R63-R64,R67-R68,R71-R72,R75-R76)]	*NOT available in DP
63	1.0000	PC		RESISTOR:METAL:4Kohm7%;1%;0W063;SMD603	[P0AAQ-15: (1.0)(R38)]	*NOT available in DP
64	2.0000	PC		RESISTOR:METAL:5Kohm1%;1%;0W063;SMD603	[P0B1S-1: (2.0)(R22,R28)]	*NOT available in DP
65	2.0000	PC		RESISTOR:METAL:5Kohm1%;1%;0W063;SMD603	[P0AAQ-15: (2.0)(R32-R33)]	*NOT available in DP
66	16.0000	PC		RESISTOR:METAL:5Kohm6%;1%;0W063;SMD603	[P0AAQ-15: (16.0)(R55-R56,R75,R80,R105-R106,R111-R112,R122-R123,R142,R147,R169-R170,R175-R176)]	*NOT available in DP
67	32.0000	PC		RESISTOR:METAL:9Kohm09%;1%;0W063;SMD603	[P0AAP-06: (8.0)(R200-R203,R212-R215)]	*NOT available in DP
68	324.0000	PC		RESISTOR:METAL:10Kohm;1%;0W063;SMD603	[P0AZP-00: (1.0)(R54)]	*NOT available in DP
69	3.0000	PC		RESISTOR:METAL:12Kohm1%;1%;0W063;SMD603	[P0AAQ-15: (2.0)(R161-R162)]	*NOT available in DP
70	16.0000	PC		RESISTOR:METAL:12Kohm4%;1%;0W063;SMD603	[P0AAQ-15: (16.0)(R76-R79,R107-R110,R143-R146,R171-R174)]	*NOT available in DP
71	32.0000	PC		RESISTOR:METAL:15Kohm;1%;0W063;SMD603	[P0AAQ-20: (16.0)(R47-R48,R51-R52,R55-R56,R59-R60,R78-R85)]	*NOT available in DP
72	1.0000	PC		RESISTOR:METAL:16Kohm;1%;0W063;SMD603	[P0AAQ-16: (1.0)(R45)]	*NOT available in DP
73	64.0000	PC		RESISTOR:METAL:20Kohm;1%;0W063;SMD603	[P0AAP-06: (16.0)(R120,R122,R124,R126,R140-R143,R150-R151,R154-R155,R158-R159,R162-R163)]	*NOT available in DP
74	32.0000	PC		RESISTOR:METAL:33Kohm;1%;0W1;SMD805	[P0AAP-06: (8.0)(R416-R423)]	*NOT available in DP
75	65.0000	PC		RESISTOR:METAL:47Kohm;1%;0W063;SMD603	[P0AAQ-15: (1.0)(R37)]	*NOT available in DP

Quantity	Unit	S.Sku	M.Sku	Description	Reference Designators	Notes
76	32.0000	PC		RESISTOR:METAL:68Kohm;1%;0W063;SMD603	[P0AAP:06: (8.0)(R297,R299,R301,R303,R305,R307,R309,R311)]	*NOT available in DP
77	32.0000	PC		RESISTOR:METAL:180Kohm;1%;0W063;SMD603	[P0AAP:06: (8.0)(R144-R148,R152,R156,R160)]	*NOT available in DP
78	1.0000	PC		RESISTOR:METAL:470Kohm;1%;0W063;SMD603	[P0AZP:00: (1.0)(R28)]	*NOT available in DP
79	2.0000	PC		RESISTOR:THICK FILM:22ohm;0W063;5%;SMD402	[P0AAQ:16: (2.0)(R70-R71)]	*NOT available in DP
80	1.0000	PC		RESISTOR:METAL:11Kohm;3%;PPM100;0W063;SMD603	[P0AAQ:16: (1.0)(R69)]	*NOT available in DP
81	13.0000	PC		RESISTOR:CARBON:0ohm;5%;0W1;SMD805	[P0AZP:00: (6.0)(R12-R14,R50,R53,R55)]	*NOT available in DP
82	4.0000	PC		RESISTOR:CARBON:2ohm;2.5%;0W1;SMD805	[P0AAQ:15: (4.0)(R194-R197)]	*NOT available in DP
83	47.0000	PC		RESISTOR:CARBON:5ohm;1.5%;0W1;SMD805	[P0AZP:00: (1.0)(R45)]	*NOT available in DP
84	68.0000	PC		RESISTOR:CARBON:10ohm;5%;0W1;SMD805	[P0AAQ:15: (2.0)(R45,R104)]	*NOT available in DP
85	4.0000	PC		RESISTOR:CARBON:22ohm;5%;0W1;SMD805	[P0B1S:11: (4.0)(R11,R16,R24,R31)]	*NOT available in DP
86	16.0000	PC		RESISTOR:CARBON:75ohm;5%;0W1;SMD805	[P0AAQ:15: (8.0)(R199-R206)]	*NOT available in DP
87	3.0000	PC		RESISTOR:CARBON:100ohm;5%;0W1;SMD805	[1:01: (1.0)(R93)]	*NOT available in DP
88	1.0000	PC		RESISTOR:CARBON:110ohm;5%;0W1;SMD805	[P0AAQ:15: (1.0)(R198)]	*NOT available in DP
89	86.0000	PC		RESISTOR:CARBON:150ohm;5%;0W1;SMD805	[P0AAQ:04: (12.0)(R1,R4,R6,R8,R10,R12-R18)]	*NOT available in DP
90	1.0000	PC		RESISTOR:CARBON:200ohm;5%;0W1;SMD805	[P0AAQ:15: (1.0)(R213)]	*NOT available in DP
91	32.0000	PC		RESISTOR:CARBON:390ohm;5%;0W1;SMD805	[P0AAP:06: (8.0)(R377,R381,R385,R389,R393,R397,R401,R405)]	*NOT available in DP
92	6.0000	PC		RESISTOR:CARBON:470ohm;5%;0W1;SMD805	[1:01: (5.0)(R94,R132-R135)]	*NOT available in DP
93	4.0000	PC		RESISTOR:CARBON:1Kohm;5%;0W1;SMD805	[1:01: (4.0)(R48,R84,R108,R111)]	*NOT available in DP
94	32.0000	PC		RESISTOR:CARBON:2Kohm;2.5%;0W1;SMD805	[P0AAQ:20: (16.0)(R222-R237)]	*NOT available in DP
95	1.0000	PC		RESISTOR:CARBON:2Kohm;7.5%;0W1;SMD805	[1:01: (1.0)(R57)]	*NOT available in DP
96	1.0000	PC		RESISTOR:CARBON:3Kohm;3.5%;0W1;SMD805	[1:01: (1.0)(R116)]	*NOT available in DP
97	2.0000	PC		RESISTOR:CARBON:4Kohm;7.5%;0W1;SMD805	[1:01: (2.0)(R28,R128)]	*NOT available in DP
98	1.0000	PC		RESISTOR:CARBON:6Kohm;8.5%;0W1;SMD805	[1:01: (1.0)(R27)]	*NOT available in DP
99	1.0000	PC		RESISTOR:CARBON:27Kohm;5%;0W1;SMD805	[1:01: (1.0)(R41)]	*NOT available in DP
100	41.0000	PC		RESISTOR:CARBON:100Kohm;5%;0W1;SMD805	[1:01: (1.0)(R110)]	*NOT available in DP
101	1.0000	PC		RESISTOR:CARBON:1Mohm;5%;0W1;SMD805	[1:01: (1.0)(R61)]	*NOT available in DP
102	4.0000	PC		RESISTOR:METAL:10ohm;1%;0W1;SMD805	[1:01: (4.0)(R52,R67,R90,R92)]	*NOT available in DP
103	9.0000	PC		RESISTOR:METAL:100ohm;1%;0W1;SMD805	[1:01: (1.0)(R112)]	*NOT available in DP
104	17.0000	PC		RESISTOR:METAL:120ohm;1%;0W1;SMD805	[P0AAQ:15: (1.0)(R8)]	*NOT available in DP
105	64.0000	PC		RESISTOR:METAL:150ohm;1%;0W1;SMD805	[P0AAP:06: (16.0)(R378,R382,R386,R390,R394,R398,R402,R406,R408-R415)]	*NOT available in DP
106	7.0000	PC		RESISTOR:METAL:200ohm;1%;0W1;SMD805	[1:01: (1.0)(R107)]	*NOT available in DP
107	7.0000	PC		RESISTOR:METAL:357ohm;1%;0W1;SMD805	[P0AAQ:15: (1.0)(R1)]	*NOT available in DP
108	3.0000	PC		RESISTOR:METAL:510ohm;1%;0W1;SMD805	[1:01: (3.0)(R87,R97-R98)]	*NOT available in DP
109	1.0000	PC		RESISTOR:METAL:845ohm;1%;0W1;SMD805	[1:01: (1.0)(R85)]	*NOT available in DP
110	1.0000	PC		RESISTOR:METAL:931ohm;1%;0W1;SMD805	[1:01: (1.0)(R115)]	*NOT available in DP
111	77.0000	PC		RESISTOR:METAL:1Kohm;1%;0W1;SMD805	[1:01: (11.0)(R24,R35,R49-R50,R58,R65,R82,R89,R91,R101,R126)]	*NOT available in DP
112	2.0000	PC		RESISTOR:METAL:1Kohm;10%;0W1;SMD805	[1:01: (2.0)(R81,R100)]	*NOT available in DP
113	1.0000	PC		RESISTOR:METAL:1Kohm;8%;0W1;SMD805	[1:01: (1.0)(R72)]	*NOT available in DP
114	2.0000	PC		RESISTOR:METAL:2Kohm;1%;0W1;SMD805	[1:01: (2.0)(R32,R70)]	*NOT available in DP
115	7.0000	PC		RESISTOR:METAL:4Kohm;7%;0W1;SMD805	[1:01: (7.0)(R34,R42,R51,R66,R71,R80,R131)]	*NOT available in DP
116	1.0000	PC		RESISTOR:METAL:5Kohm;1%;0W1;SMD805	[1:01: (1.0)(R56)]	*NOT available in DP
117	1.0000	PC		RESISTOR:METAL:5Kohm;6%;0W1;SMD805	[1:01: (1.0)(R40)]	*NOT available in DP
118	2.0000	PC		RESISTOR:METAL:8Kohm;20%;0W1;SMD603	[P0AZP:00: (1.0)(R29)]	*NOT available in DP
119	2.0000	PC		RESISTOR:METAL:8Kohm;66%;0W1;SMD805	[1:01: (2.0)(R113-R114)]	*NOT available in DP

Quantity	Unit	S.Sku	M.Sku	Description	Reference Designators	Notes
120	8.0000	PC		RESISTOR:METAL:10Kohm;1%;0W1;SMD805	[1:01: (8.0)(R54,R60,R68-R69,R95,R129-R130,R139)]	*NOT available in DP
121	4.0000	PC		RESISTOR:METAL:22Kohm;1%;0W1;SMD805	[P0AAP:06: (1.0)(R31)]	*NOT available in DP
122	1.0000	PC		RESISTOR:METAL:24Kohm;9%;0W1;SMD805	[1:01: (1.0)(R33)]	*NOT available in DP
123	64.0000	PC		RESISTOR:METAL:47Kohm;1%;0W1;SMD805	[P0AAP:06: (16.0)(R424-R439)]	*NOT available in DP
124	1.0000	PC		RESISTOR:METAL:1.20Kohm;1%;0W1;SMD805	[1:01: (1.0)(R55)]	*NOT available in DP
125	1.0000	PC		RESISTOR:METAL:68Kohm;1%;0W125;SMD805	[1:01: (1.0)(R64)]	*NOT available in DP
126	8.0000	PC		RESISTOR:METAL:49ohm;9%;0W125;SMD603	[P0AAQ:15: (8.0)(R185-R192)]	*NOT available in DP
127	1.0000	PC		RESISTOR:CARBON:2ohm;2.5%;0W25;SMD1206	[1:01: (1.0)(R99)]	*NOT available in DP
128	2.0000	PC		RESISTOR:CARBON:100ohm;5%;0W25;SMD1206	[1:01: (2.0)(R14,R83)]	*NOT available in DP
129	1.0000	PC		RESISTOR:CARBON:1Kohm;2.5%;0W25;SMD1206	[1:01: (1.0)(R96)]	*NOT available in DP
130	2.0000	PC		RESISTOR:CARBON:6Kohm;8.5%;0W25;SMD1206	[1:01: (2.0)(R74,R109)]	*NOT available in DP
131	1.0000	PC		RESISTOR:CARBON:20Kohm;5%;0W25;SMD1206	[1:01: (1.0)(R59)]	*NOT available in DP
132	2.0000	PC		RESISTOR:CARBON:470Kohm;5%;0W25;SMD1206	[1:01: (2.0)(R19,R25)]	*NOT available in DP
133	1.0000	PC		RESISTOR:METAL:10ohm;1%;0W25;SMD1206	[1:01: (1.0)(R62)]	*NOT available in DP
134	1.0000	PC		RESISTOR:METAL:51ohm;1%;0W25;SMD1206	[1:01: (1.0)(R121)]	*NOT available in DP
135	2.0000	PC		RESISTOR:METAL:100ohm;1%;0W25;SMD1206	[1:01: (2.0)(R78,R120)]	*NOT available in DP
136	2.0000	PC		RESISTOR:METAL:200ohm;1%;0W25;SMD1206	[1:01: (2.0)(R76-R77)]	*NOT available in DP
137	4.0000	PC		RESISTOR:SMT:220ohm;1%;METAL:0W25;SMD1206	[1:01: (4.0)(R122-R125)]	*NOT available in DP
138	1.0000	PC		RESISTOR:METAL:240ohm;1%;0W25;SMD1206	[1:01: (1.0)(R105)]	*NOT available in DP
139	4.0000	PC		RESISTOR:METAL:1Kohm;1%;0W25;SMD1206	[1:01: (4.0)(R26,R102-R103,R127)]	*NOT available in DP
140	1.0000	PC		RESISTOR:SMD:METAL:2Kohm;1%;0W25;SMD1206	[1:01: (1.0)(R31)]	*NOT available in DP
141	2.0000	PC		RESISTOR:METAL:3Kohm;1%;0W25;SMD1206	[1:01: (2.0)(R1-R2)]	*NOT available in DP
142	6.0000	PC		RESISTOR:METAL:4.7 kohm;0.25 W;1 %;SMD1206	[1:01: (6.0)(R104,R106,R117,R119,R136-R137)]	*NOT available in DP
143	4.0000	PC		RESISTOR:METAL:10Kohm;1%;0W25;SMD1206	[1:01: (4.0)(R45,R47,R53,R118)]	*NOT available in DP
144	3.0000	PC		RESISTOR:METAL:332Kohm;1%;0W25;SMD1206	[1:01: (3.0)(R36-R38)]	*NOT available in DP
145	6.0000	PC		RESISTOR:SMT:470Kohm;5%;METAL:0W25;SMD1206	[1:01: (6.0)(R15-R18,R20-R21)]	*NOT available in DP
146	3.0000	PC		RESISTOR:THICK FILM:22ohm;5%;0W25;SMD1206	[1:01: (3.0)(R44,R46,R63)]	*NOT available in DP
147	2.0000	PC		RESISTOR:THICK FILM:43ohm;0W25;5%;SMD1206	[1:01: (2.0)(R138,R140)]	*NOT available in DP
148	3.0000	PC		RESISTOR:CARBON:1Kohm;5%;0W0625;SMD402	[P0AAQ:16: (3.0)(R44,R77-R78)]	*NOT available in DP
149	1.0000	PC		RESISTOR:CARBON:2Kohm;5%;0W0625;SMD402	[P0AAQ:16: (1.0)(R74)]	*NOT available in DP
150	30.0000	PC		RESISTOR:THICK FILM:10Kohm;5%;0W0625;SMD402	[P0AAQ:16: (30.0)(R1-R9,R20-R22,R24-R29,R31-R32,R35,R42-R43,R46,R51,R61,R67,R75,R79,R82)]	*NOT available in DP
151	1.0000	PC		RESISTOR:THICK FILM:150ohm;0W0625;1%;SMD402	[P0AAQ:16: (1.0)(R62)]	*NOT available in DP
152	3.0000	PC		RESISTOR:METAL:1Kohm;0.5%;METAL:0W0625;SMD402	[P0AAQ:16: (3.0)(R55,R57,R81)]	*NOT available in DP
153	2.0000	PC		RESISTOR:THICK FILM:33ohm;1%;PPM100;0W0625;SMD402	[P0AAQ:16: (2.0)(R84-R85)]	*NOT available in DP
154	3.0000	PC		RESISTOR:METAL:PPM100;100ohm;0W0625;1%;SMD402	[P0AAQ:16: (3.0)(R72-R73,R83)]	*NOT available in DP
155	1.0000	PC		RESISTOR:METAL:1Mohm;1%;PPM100;0W0625;SMD402	[P0AAQ:16: (1.0)(R80)]	*NOT available in DP
156	1.0000	PC	Y04-05000-05423	THERMISTOR:NTC:5ohm;+/-20%;6A;DIA:15mm;PITCH:7mm5;(THINKING SCK15056MSY)	[1:01: (1.0)(R3)]	
157	1.0000	PC		THERMISTOR:PTC:330ohm;2Kohm;2;20%;DIA:W/ LUG;(THINKING PTMS2331RP430Y)	[1:01: (1.0)(R10)]	
158	1.0000	PC		RESISTOR:CARBON:100ohm;5%;1W;LEAD WIRE;HORIZONTAL 52-6mm	[1:01: (1.0)(R141)]	*NOT available in DP
159	1.0000	PC		RESISTOR:METAL:220 kohm;3W5.5 %;F-TYPE;METAL OXIDE FILM	[1:01: (1.0)(R4)]	*NOT available in DP
160	2.0000	PC		RESISTOR:METAL:6Kohm;8;1%;0W25;LEAD WIRE	[P0B15:11: (2.0)(R43,R45)]	*NOT available in DP
161	1.0000	PC		RESISTOR:CARBON:33ohm;5%;1W;LEAD WIRE	[1:01: (1.0)(R43)]	*NOT available in DP
162	2.0000	PC		RESISTOR:CARBON:220ohm;5%;1W;LEAD WIRE	[1:01: (2.0)(R8-R9)]	*NOT available in DP
163	1.0000	PC		RESISTOR:CARBON:100ohm;5%;2W;LEAD WIRE	[1:01: (1.0)(R7)]	*NOT available in DP
164	1.0000	PC		RESISTOR:CARBON:330ohm;5%;2W;LEAD WIRE	[1:01: (1.0)(R75)]	*NOT available in DP

	Quantity	Unit	S.Sku	M.Sku	Description	Reference Designators	Notes
165	2.0000	PC			RESISTOR;CARBON;4Kohm;7.5%;2W;LEAD WIRE;F-TYPE	[1:01;[2:0](R12-R13)]	*NOT available in DP
166	1.0000	PC			RESISTOR;LEAD WIRE;0ohm;10;1%;METAL;2W0;F-TYPE	[1:01;[1:0](R6)]	*NOT available in DP
167	1.0000	PC			RESISTOR;METAL;0ohm;2;1%;2W;LEAD WIRE	[1:01;[1:0](R5)]	*NOT available in DP
168	1.0000	PC			RESISTOR;LEAD WIRE;AXIAL;2Kohm;5%;METAL OXIDE;2W	[1:01;[1:0](R11)]	*NOT available in DP

**Fader**

	Quantity	Unit	S.Sku	M.Sku	Description	Reference Designators	Notes
1	25.0000	PC	Y00-00000-19575	I00-00000-19575	FADER;10 kohm;8;20 %;MONO	[P0B15:06;[8:0](VR1-VR8)]	
2	25.0000	PC	Y00-00000-37172	I00-00000-37172	FADER;10 kohm;0W5;B;10 %;MONO;FORCE:10gf;CARB;3.75 MM;TRAVEL:100;EVERBEST;C0022N-A1-13H-B10K-B-L038		

**Potentiometer**

	Quantity	Unit	S.Sku	M.Sku	Description	Reference Designators	Notes
1	2.0000	PC		I03-00000-67018	POTENTIOMETER;50 kohm;0.050W;A;20 %;STEREO;SHAFT;30MM;0CC;HIGH TORQUE;NOBLE	[P0B15:11;[2:0](VR1,VR3)]	
2	1.0000	PC		I03-00000-67019	POTENTIOMETER;50 kohm;0.050W;C;20 %;STEREO;SHAFT;30MM;0CC;HIGH TORQUE;NOBLE	[P0B15:11;[1:0](VR2)]	

**Encoder**

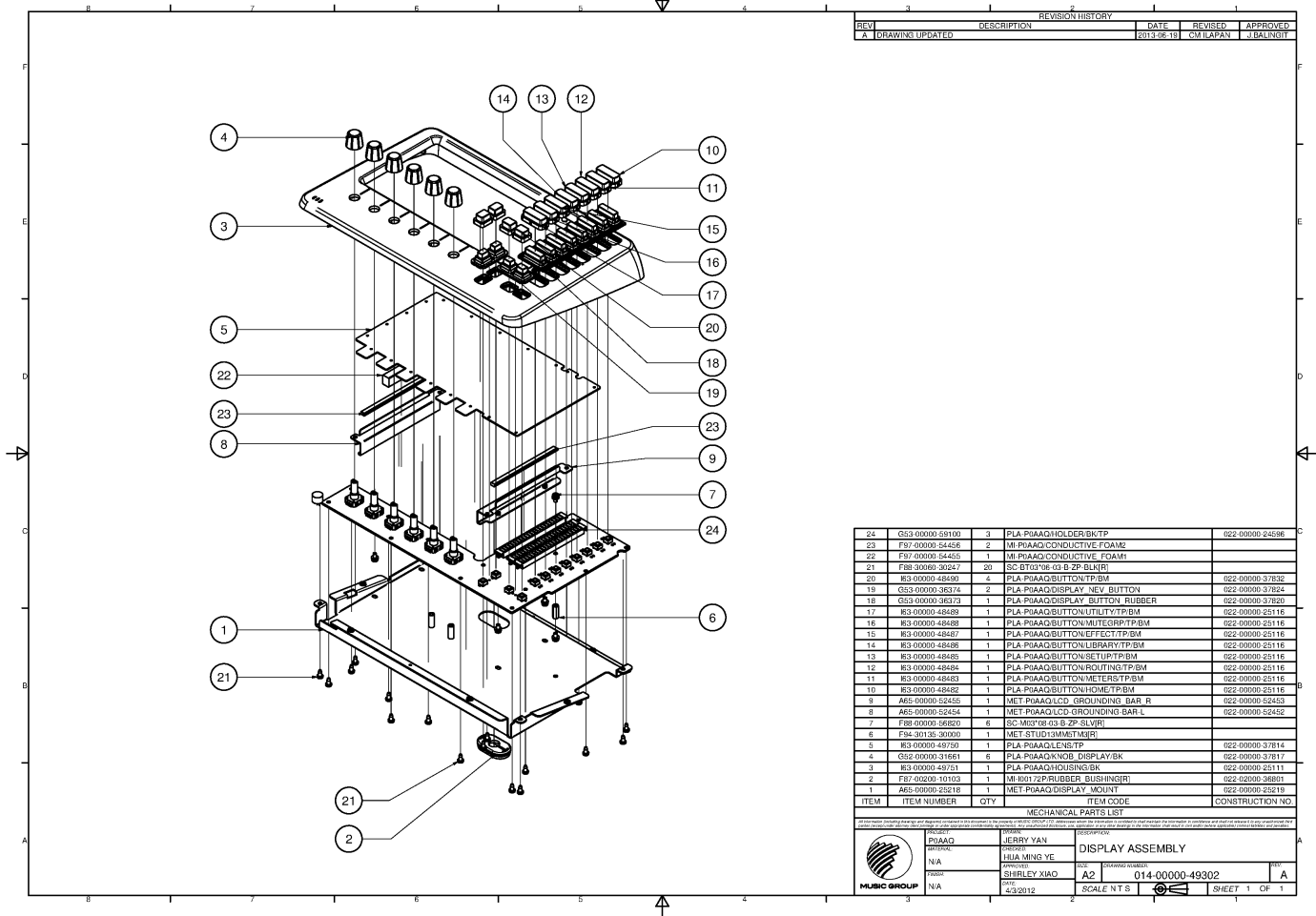
	Quantity	Unit	S.Sku	M.Sku	Description	Reference Designators	Notes
1	17.0000	PC	Y32-00000-18946	I32-00000-18946	ENCODER;2.5 MM;SHT;2.5;24PL;0CC;ENDLESS;30-80gf;TRANSPARENT SHAFT	[P0B15:13;[4:0](SW13-SW16)]	
2	6.0000	PC	Y32-00000-19166	I32-00000-19166	ENCODER;24PL;SWITCH;30-80gf;24CC;ENDLESS;SHT;2.5mm3	[P0B15:09;[6:0](SW2-SW7)]	

**Switch**

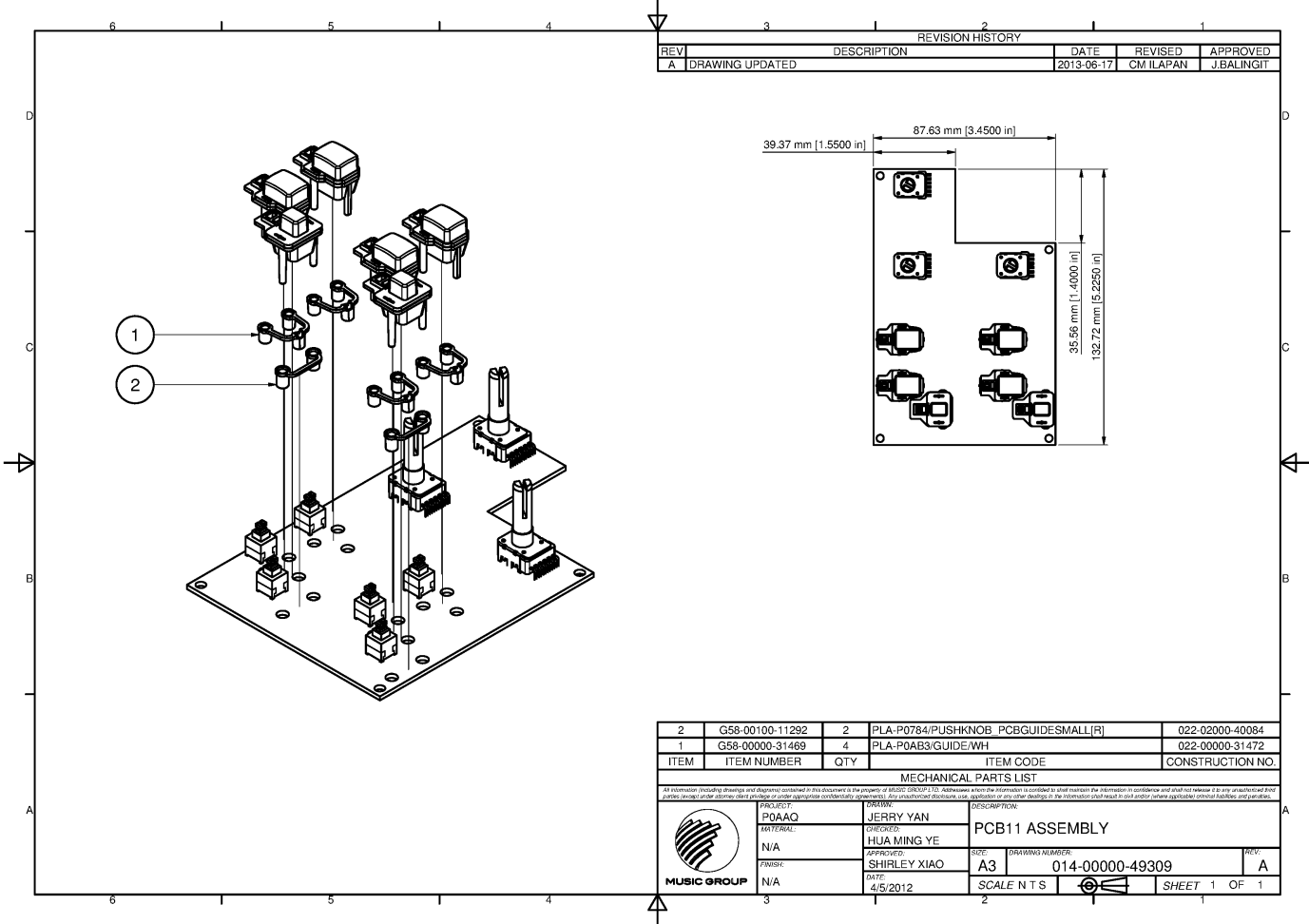
	Quantity	Unit	S.Sku	M.Sku	Description	Reference Designators	Notes
1	2.0000	PC	Y87-00000-39582	I87-00000-39582	SWITCH;TACTILE;1;NONLOCK;4;VERTICAL;HANDLE;S	[P0AAQ:15;[2:0](SW1-SW2)]	

**Transistor**

	Quantity	Unit	S.Sku	M.Sku	Description	Reference Designators	Notes
1	64.0000	PC			TRANSISTOR;3;SOT-23;25C2713BL;SMD	[P0AAP:06:(16.0)(T17-T32)]	*NOT available in DP
2	2.0000	PC			TRANSISTOR;SMD;3;PNP;DZT5401-13;1W;SOT-223	[1:01:(2.0)(T7,T10)]	*NOT available in DP
3	1.0000	PC			TRANSISTOR;MOSFET;20M60;TO220F	[1:01:(1.0)(T3)]	*NOT available in DP
4	2.0000	PC			TRANSISTOR;MOSFET;FQPF13N50C;TO220F	[1:01:(2.0)(T1-T2)]	*NOT available in DP
5	36.0000	PC			TRANSISTOR;MBTA06;SOT	[P0AAP:06:(8.0)(T2,T4,T6,T8,T10,T12,T14,T16)]	*NOT available in DP
6	39.0000	PC			TRANSISTOR;MBTA06;SOT	[P0AAP:06:(8.0)(T1,T3,T5,T7,T9,T11,T13,T15)]	*NOT available in DP
7	2.0000	PC			TRANSISTOR;MBTA92;SOT	[1:01:(2.0)(T8-T9)]	*NOT available in DP
8	8.0000	PC			TRANSISTOR;MMBT3904L1;SOT23;SMD	[1:01:(6.0)(T4,T12-T16)]	*NOT available in DP
9	3.0000	PC			TRANSISTOR;MMBT3906;SOT23;SMD	[1:01:(3.0)(T5-T6,T11)]	*NOT available in DP
10	50.0000	PC			TRANSISTOR;BC327-25;TO92;PITCH:2.54;TAPE	[P0B15:6:(16.0)(T1-T7,T15,T24-T30,T32)]	*NOT available in DP
11	50.0000	PC			TRANSISTOR;BC337-25;TO92;P:2.54(BENT LEAD;TAPE and REEL);FAIRCHILD	[P0B15:6:(16.0)(T8-T14,T16-T23,T31)]	*NOT available in DP
12	36.0000	PC			TRANSISTOR;SST113;SOT	[P0AAQ:20:(16.0)(T3-T18)]	*NOT available in DP







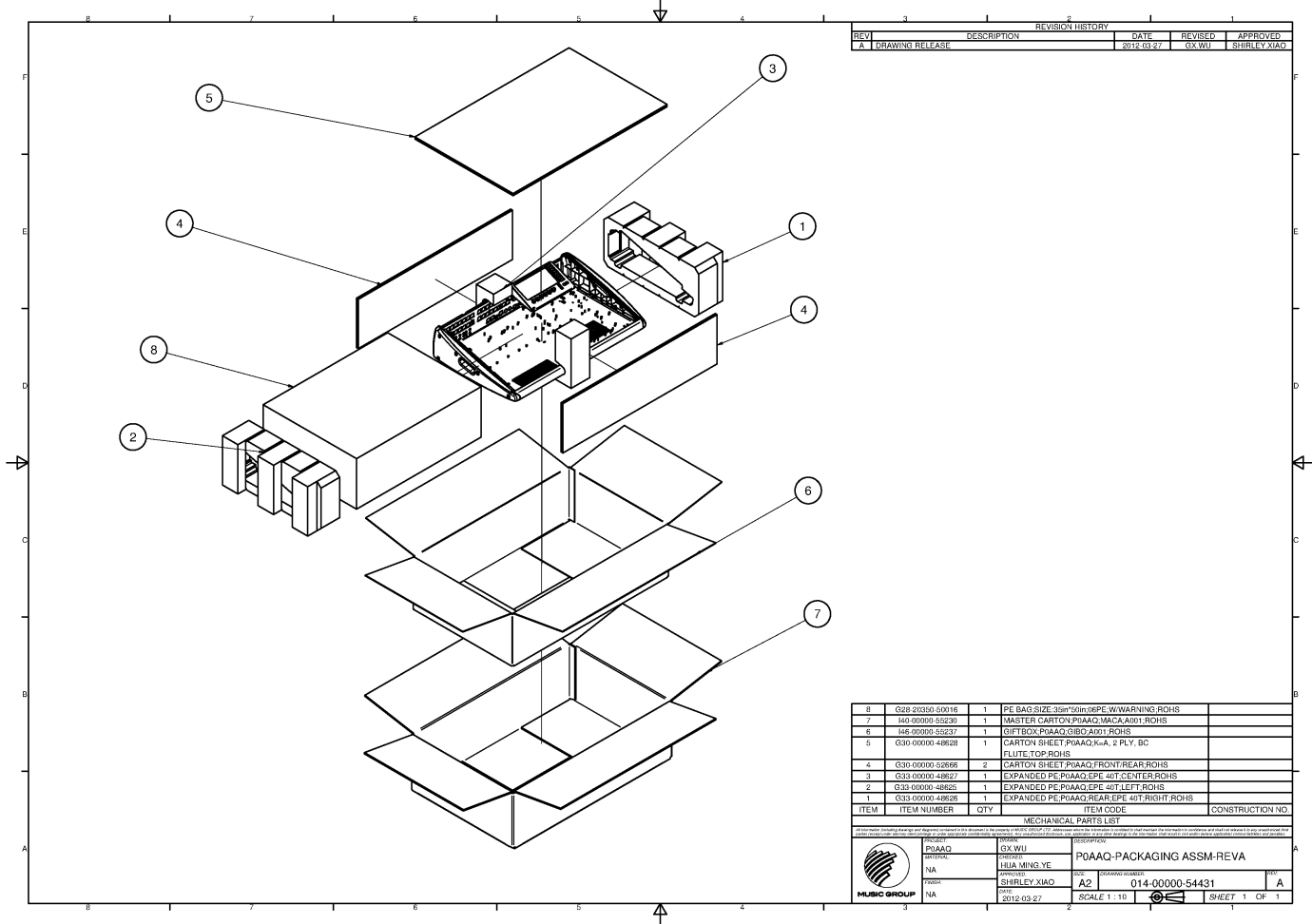
REVISION HISTORY				
REV	DESCRIPTION	DATE	REVISED	APPROVED
A	DRAWING UPDATED	2013-06-17	CM ILAPAN	J.BALINGIT

2	G58-00100-11292	2	PLA-P0784/PUSHKNOB_PCBGUIDE <small>(R)</small>	022-02000-40084
1	G58-00000-31469	4	PLA-P0A03/GUIDE/WH	022-00000-31472
ITEM	ITEM NUMBER	QTY	ITEM CODE	CONSTRUCTION NO.

**MECHANICAL PARTS LIST**

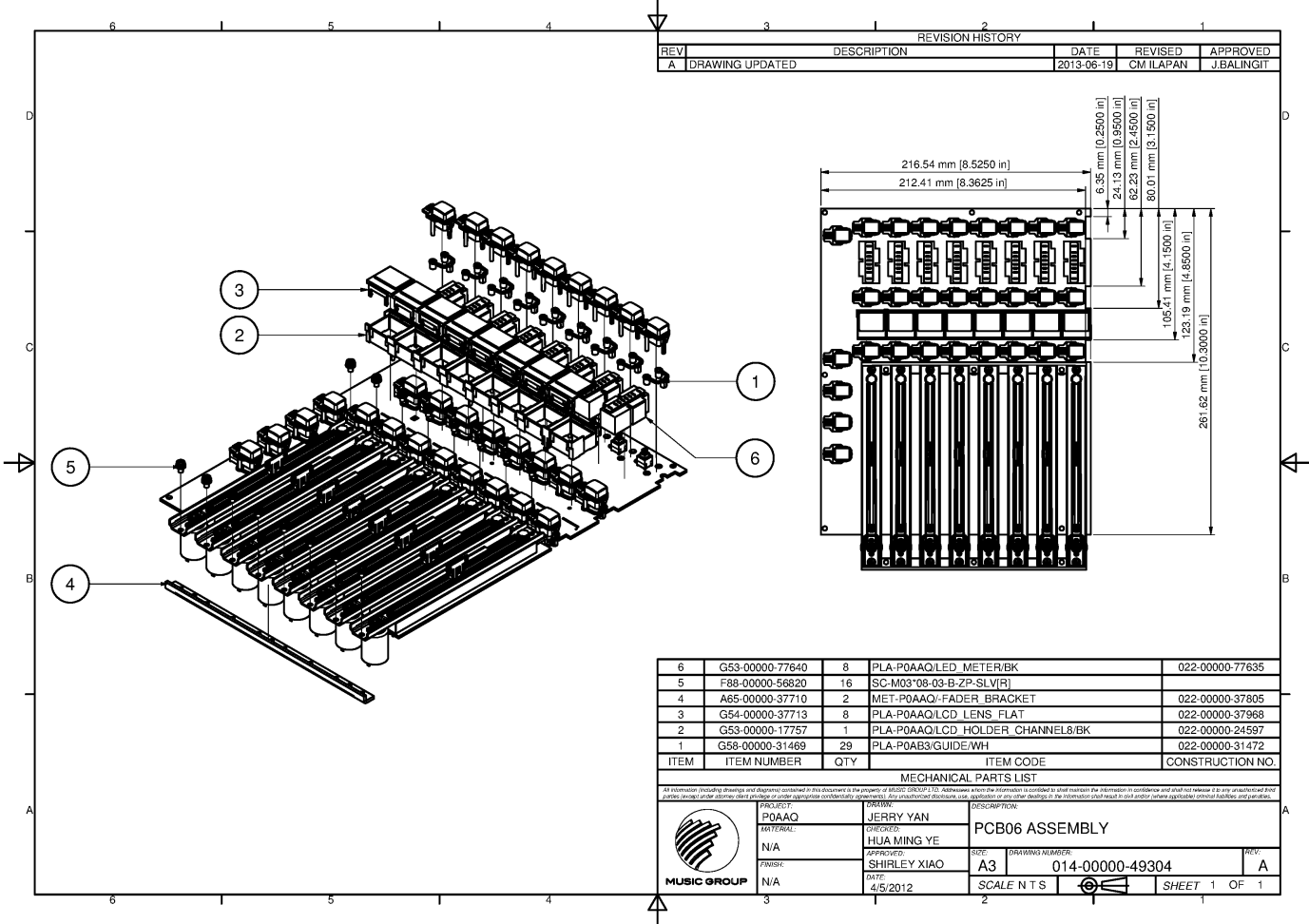
All information (including drawings and diagrams) contained in this document is the property of BEHRINGER GROUP LTD. Addresses which the information is confined to shall remain the information in confidence and shall not release it to any unauthorized third parties (except larger groups) without prior written approval. Any unauthorised disclosure of the information shall result in civil and/or criminal penalties, fines and penalties.

	PROJECT:	P0AAQ	DRAWN:	JERRY YAN	DESCRIPTION:	PCB11 ASSEMBLY
	MATERIAL:	N/A	DRAWN:	HUA MING YE		
	APPROVED:	SHIRLEY XIAO	SCALE:	A3	DRAWING NUMBER:	014-00000-49309
	FINISH:	N/A	DATE:	4/5/2012	REV:	A
			SCALE:	N T S		SHEET 1 OF 1




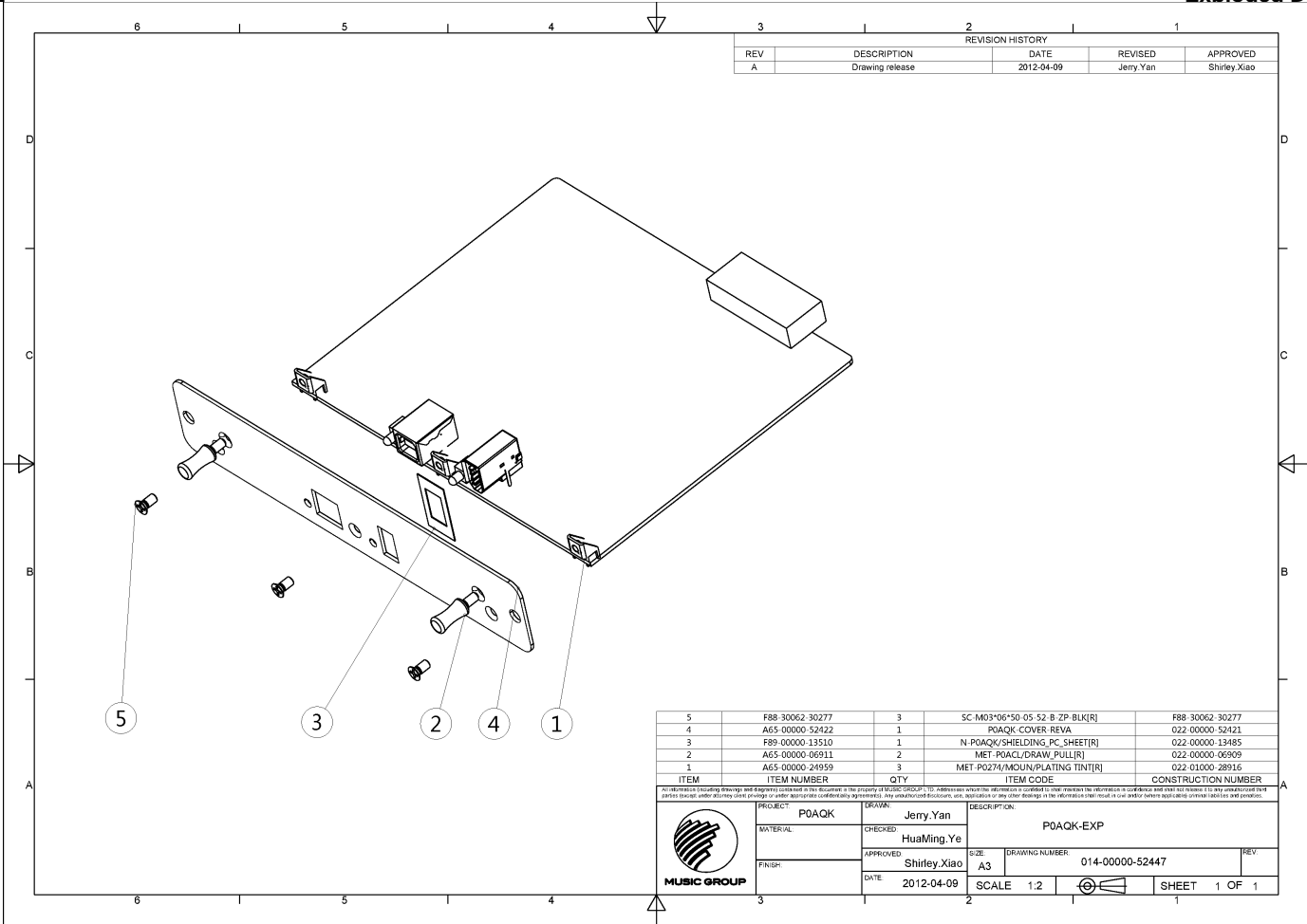
ITEM	ITEM NUMBER	QTY	ITEM CODE	CONSTRUCTION NO
8	G28 20020-50016	1	PE BAG SIZE 315x150mm PE W/WARNING ROHS	
7	140-00000-55230	1	MASTER CARTON P0AAQ/BACK/ROHS	
6	146-00000-55237	1	GIFT BOX P0AAQ/GIBO A01/ROHS	
5	G30 00000-48628	1	CARTON SHEET P0AAQ/K-A 2 PLY, BC FLUTE TOP ROHS	
4	G30 00000-53866	2	CARTON SHEET P0AAQ/FRONT/REAR/ROHS	
3	G33 00000-48927	1	EXPANDED PE P0AAQ/EPE 40T-CENTER/ROHS	
2	G33 00000-48825	1	EXPANDED PE P0AAQ/EPE 40T-LEFT/ROHS	
1	G33 00000-48926	1	EXPANDED PE P0AAQ/EPE 40T-RIGHT/ROHS	

MECHANICAL PARTS LIST																																							
ITEM	ITEM NUMBER	QTY	CONSTRUCTION NO																																				
<table border="1" data-bbox="966 1407 1437 1480"> <tr> <td>Project</td> <td>P0AAQ</td> <td>Drawn</td> <td>GX WU</td> <td>Part Name</td> <td>P0AAQ-PACKAGING ASSM-REVA</td> </tr> <tr> <td>Plant</td> <td>NA</td> <td>Checked</td> <td>JIHA MING YE</td> <td>Scale</td> <td></td> </tr> <tr> <td>Project</td> <td>NA</td> <td>Drawn</td> <td>SHIRLEY XIAO</td> <td>Scale</td> <td>014-00000-54431</td> </tr> <tr> <td>Plant</td> <td>NA</td> <td>Drawn</td> <td>SHIRLEY XIAO</td> <td>Scale</td> <td>014-00000-54431</td> </tr> <tr> <td>Project</td> <td>NA</td> <td>Drawn</td> <td>SHIRLEY XIAO</td> <td>Scale</td> <td>014-00000-54431</td> </tr> <tr> <td>Plant</td> <td>NA</td> <td>Drawn</td> <td>SHIRLEY XIAO</td> <td>Scale</td> <td>014-00000-54431</td> </tr> </table>				Project	P0AAQ	Drawn	GX WU	Part Name	P0AAQ-PACKAGING ASSM-REVA	Plant	NA	Checked	JIHA MING YE	Scale		Project	NA	Drawn	SHIRLEY XIAO	Scale	014-00000-54431	Plant	NA	Drawn	SHIRLEY XIAO	Scale	014-00000-54431	Project	NA	Drawn	SHIRLEY XIAO	Scale	014-00000-54431	Plant	NA	Drawn	SHIRLEY XIAO	Scale	014-00000-54431
Project	P0AAQ	Drawn	GX WU	Part Name	P0AAQ-PACKAGING ASSM-REVA																																		
Plant	NA	Checked	JIHA MING YE	Scale																																			
Project	NA	Drawn	SHIRLEY XIAO	Scale	014-00000-54431																																		
Plant	NA	Drawn	SHIRLEY XIAO	Scale	014-00000-54431																																		
Project	NA	Drawn	SHIRLEY XIAO	Scale	014-00000-54431																																		
Plant	NA	Drawn	SHIRLEY XIAO	Scale	014-00000-54431																																		



6	G53-00000-77640	8	PLA-POAAQ/LED_METER/BK	022-00000-77635
5	F88-00000-56820	16	SC-M03'08-03-B-ZP-SLV[R]	
4	A65-00000-37710	2	MET-POAAQ/-FADER_BRACKET	022-00000-37805
3	G54-00000-37713	8	PLA-POAAQ/LCD_LENS_FLAT	022-00000-37968
2	G53-00000-17757	1	PLA-POAAQ/LCD HOLDER_CHANNELS/BK	022-00000-24597
1	G58-00000-31469	29	PLA-POAB3/GUIDE/WH	022-00000-31472
ITEM	ITEM NUMBER	QTY	ITEM CODE	CONSTRUCTION NO.

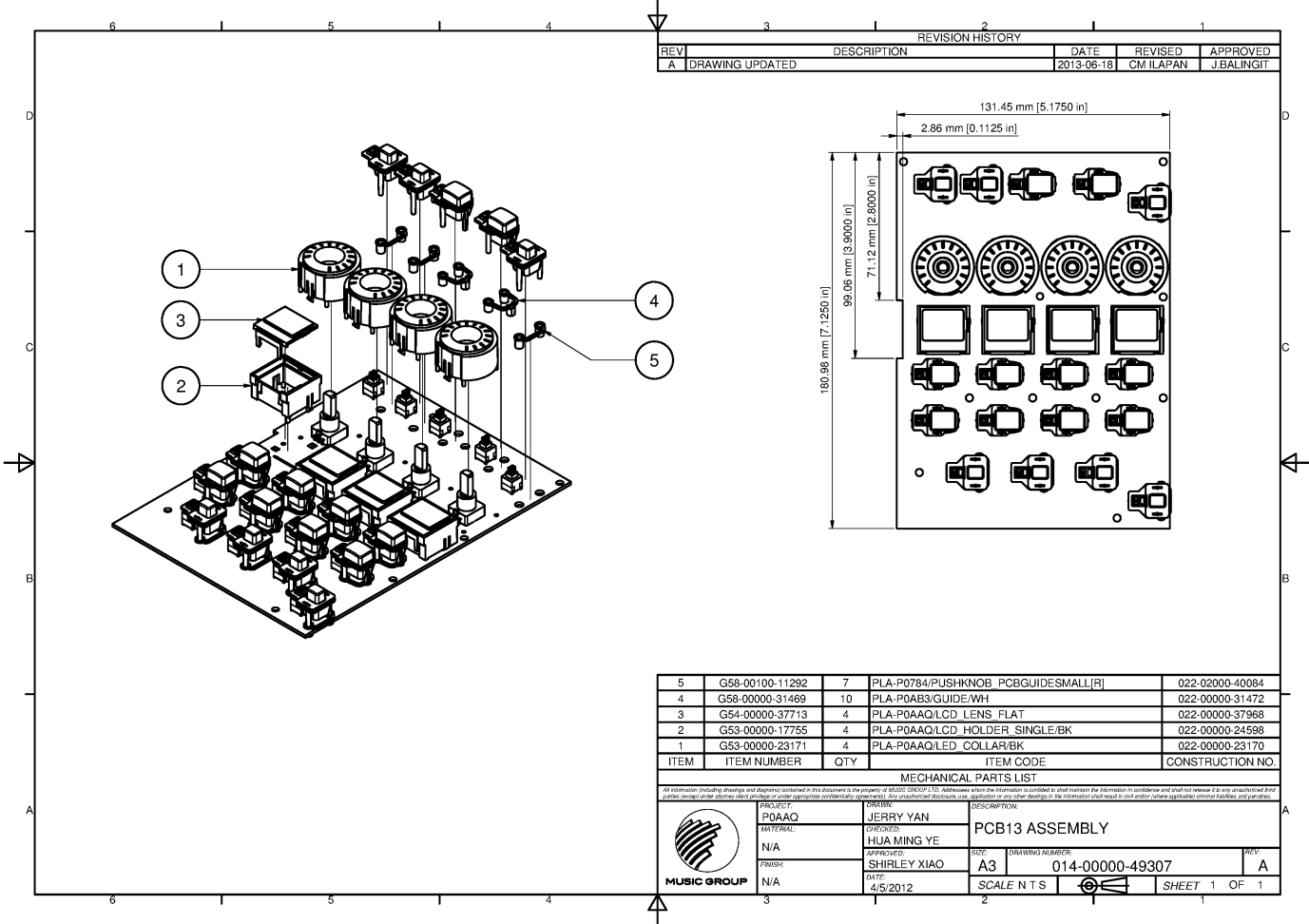
MECHANICAL PARTS LIST			
<small>All information (including drawings and diagrams) contained in this document is the property of BEHRINGER GROUP LTD. Addresses which the information is confined to shall remain in confidence and shall not release it to any unauthorized third parties (except larger groups) without the prior written approval of BEHRINGER GROUP LTD. Addresses which the information is confined to shall remain in confidence and shall not release it to any unauthorized third parties.</small>			
 PROJECT: POAAQ MATERIAL: N/A FINISH: N/A	DRAWN: JERRY YAN CHECKED: HUIA MING YE APPROVED: SHIRLEY XIAO DATE: 4/5/2012	DESCRIPTION: PCB06 ASSEMBLY SIZE: A3 DRAWING NUMBER: 014-00000-49304 SCALE: N T S	REV: A SHEET 1 OF 1



REVISION HISTORY				
REV	DESCRIPTION	DATE	REVISED	APPROVED
A	Drawing release	2012-04-09	Jerry Yan	Shirley Xiao

5	F88-30062-30277	3	SC-M03*06*50-05-52-B-ZP-BLK[R]	F88-30062-30277
4	A65-00000-52422	1	POAQK COVER REVA	022-00000-52421
3	F89-00000-13510	1	N-POAQK/SHIELDING_PC_SHEET[R]	022-00000-13485
2	A65-00000-06911	2	MET-POACL/DRAW_PULL[R]	022-00000-06909
1	A65-00000-24959	3	MET-PO274/MOUN/PLATING_TINT[R]	022-01000-28916
ITEM	ITEM NUMBER	QTY	ITEM CODE	CONSTRUCTION NUMBER

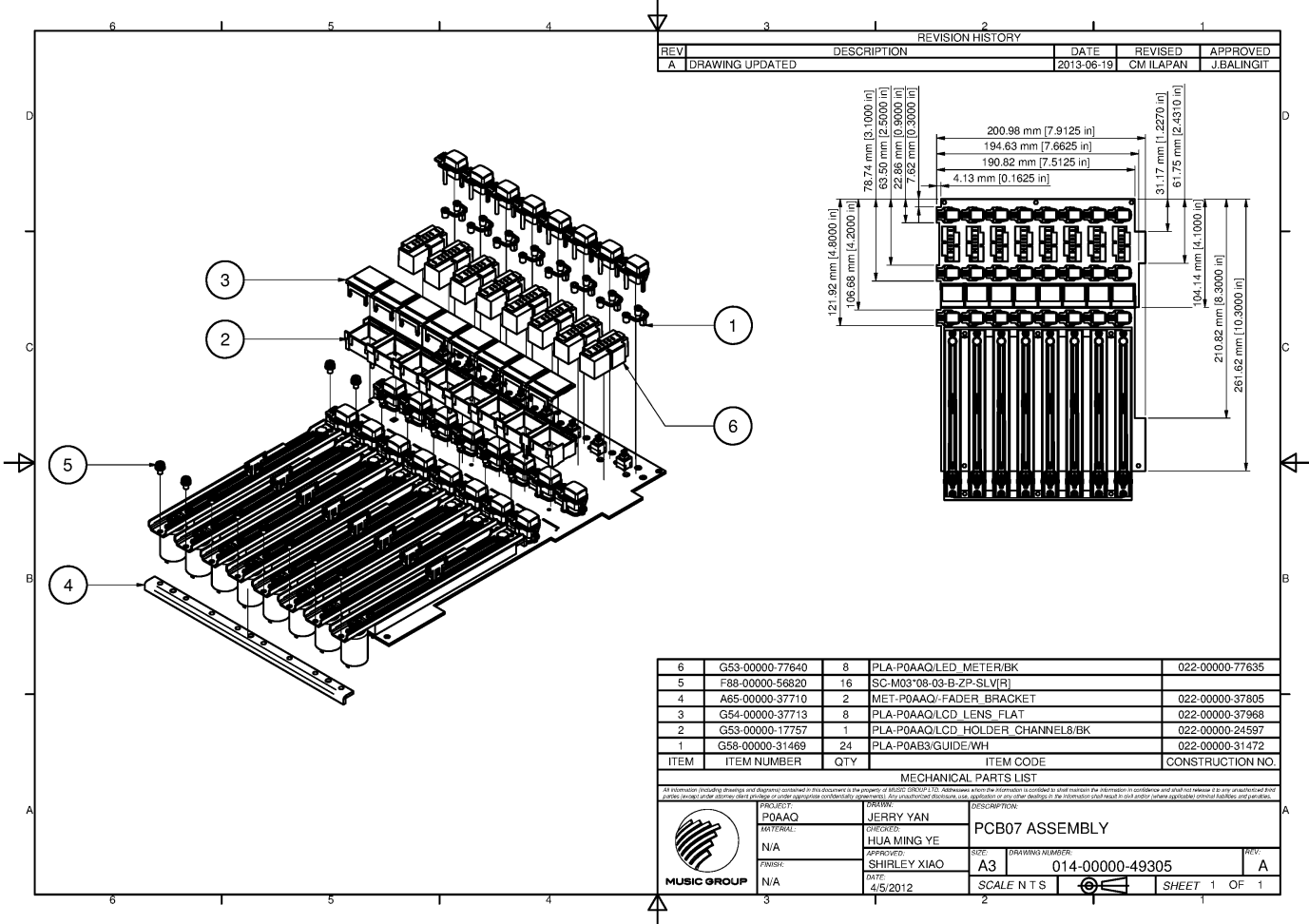
		PROJECT: POAQK DRAWN: Jerry Yan CHECKED: HuaMing Ye APPROVED: Shirley Xiao DATE: 2012-04-09	DESCRIPTION: POAQK-EXP SIZE: A3 DRAWING NUMBER: 014-00000-52447 SCALE: 1:2 SHEET: 1 OF 1
--	--	---	--

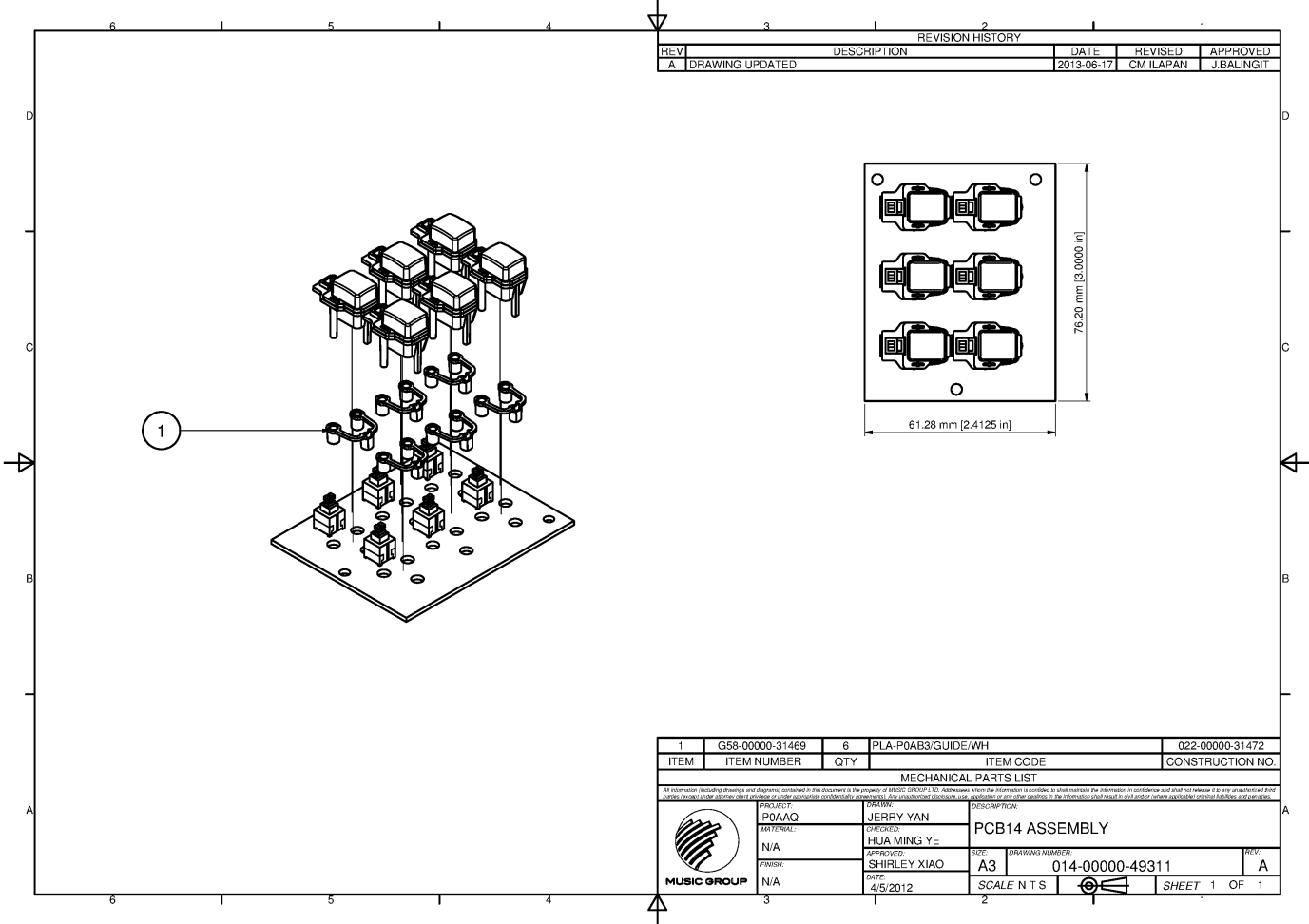


REVISION HISTORY				
REV	DESCRIPTION	DATE	REVISED	APPROVED
A	DRAWING UPDATED	2013-06-18	CM ILAPAN	J.BALINGIT

ITEM	ITEM NUMBER	QTY	ITEM CODE	CONSTRUCTION NO.
5	G58-00100-11292	7	PLA-P0784/PUSHKNOB PCBGUIDE:SMALL[R]	022-02000-40084
4	G58-00000-31469	10	PLA-P0A03/GUIDE/WH	022-00000-31472
3	G54-00000-37713	4	PLA-P0A0Q/LCD LENS FLAT	022-00000-37968
2	G53-00000-17755	4	PLA-P0A0Q/LCD HOLDER SINGLE/BK	022-00000-24598
1	G53-00000-23171	4	PLA-P0A0Q/LED COLLAR/BK	022-00000-23170

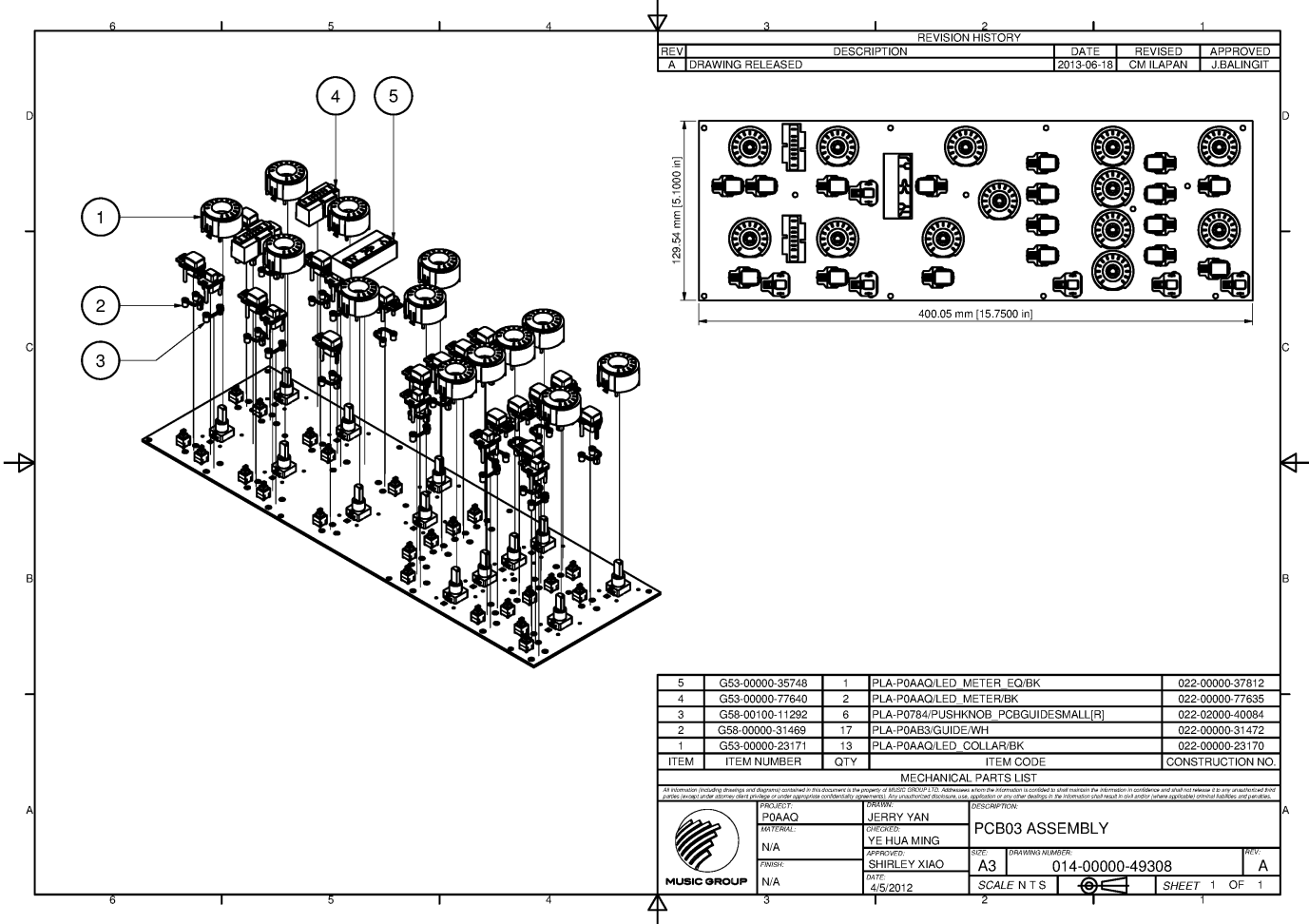
MECHANICAL PARTS LIST			
<small>All information (including drawings and diagrams) contained in this document is the property of BEHRINGER GROUP LTD. Addressees whom the information is provided to shall maintain the information in confidence and shall not release it to any unauthorized third parties (except larger groups) without the prior written approval of BEHRINGER GROUP LTD. Addressees shall not use the information for any other purpose without the prior written approval of BEHRINGER GROUP LTD. Addressees shall not use the information for any other purpose without the prior written approval of BEHRINGER GROUP LTD.</small>			
	PROJECT: P0AAQ MATERIAL: N/A FINISH: N/A	DRAWN: JERRY YAN CHECKED: HUA MING YE APPROVED: SHIRLEY XIAO DATE: 4/5/2012	DESCRIPTION: PCB13 ASSEMBLY SIZE: A3 DRAWING NUMBER: 014-00000-49307 SCALE: N T S SHEET 1 OF 1





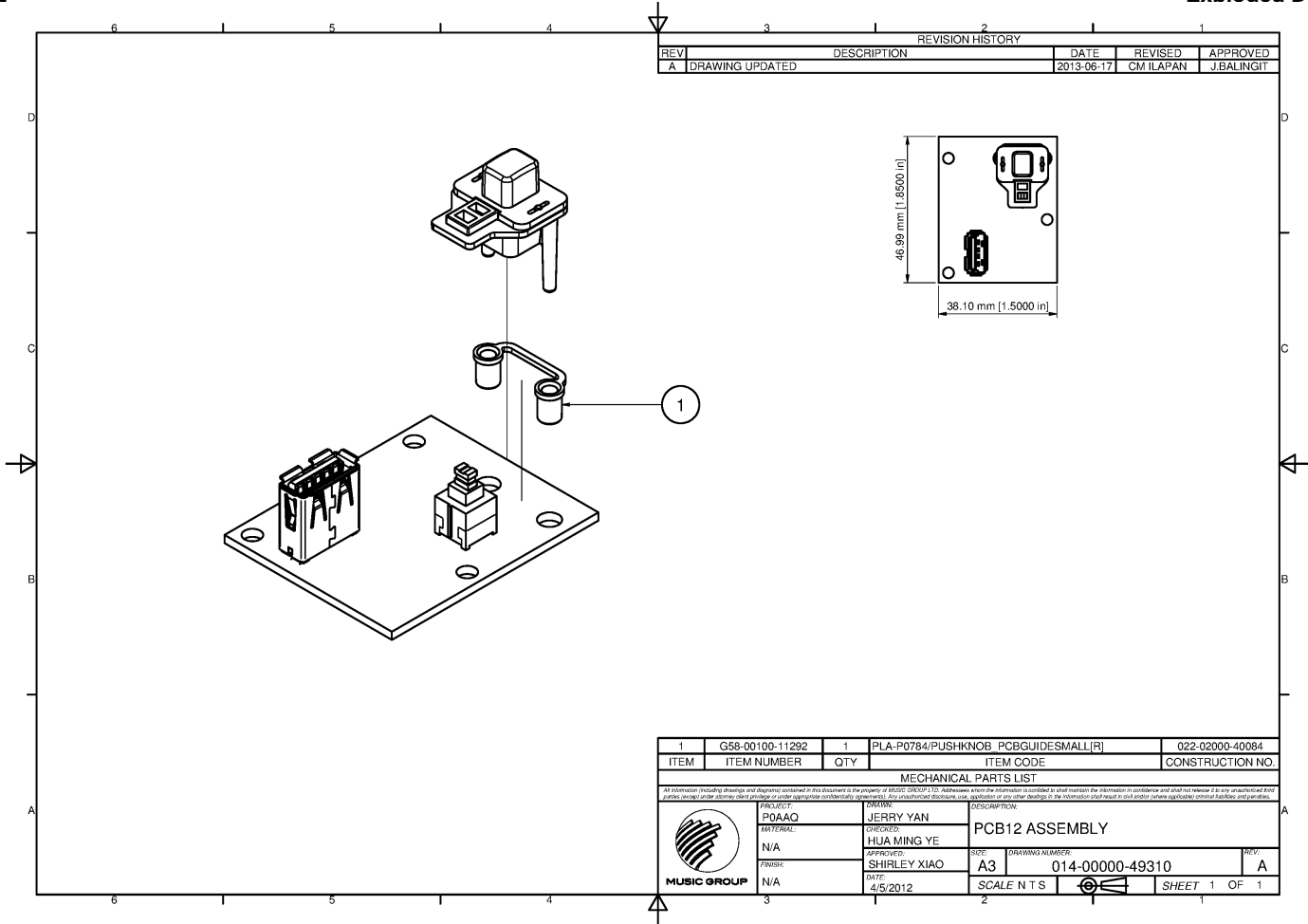
REVISION HISTORY				
REV	DESCRIPTION	DATE	REVISED	APPROVED
A	DRAWING UPDATED	2013-06-17	CM ILAPAN	J.BALINGIT

1	G58-00000-31469	6	PLA-P0AB3/GUIDE/WH	022-00000-31472
ITEM	ITEM NUMBER	QTY	ITEM CODE	CONSTRUCTION NO.
MECHANICAL PARTS LIST				
<small>All information (including drawings and diagrams) contained in this document is the property of BEHRINGER GROUP LTD. All drawings which the information is contained in shall remain the information in confidence and shall not be used for any other purpose without the prior written consent of BEHRINGER GROUP LTD. All drawings which the information is contained in shall remain the information in confidence and shall not be used for any other purpose without the prior written consent of BEHRINGER GROUP LTD.</small>				
	PROJECT:	P0AAQ		DESCRIPTION:
	DRAWN:	JERRY YAN		PCB14 ASSEMBLY
	DIRECTOR:	HUA MING YE		
	APPROVED:	SHIRLEY XIAO		
MATERIAL:	N/A	SIZE:	A3	DRAWING NUMBER:
FINISH:	N/A	DATE:	4/5/2012	014-00000-49311
		SCALE:	N T S	SHEET 1 OF 1



X32

Exploded Drawing



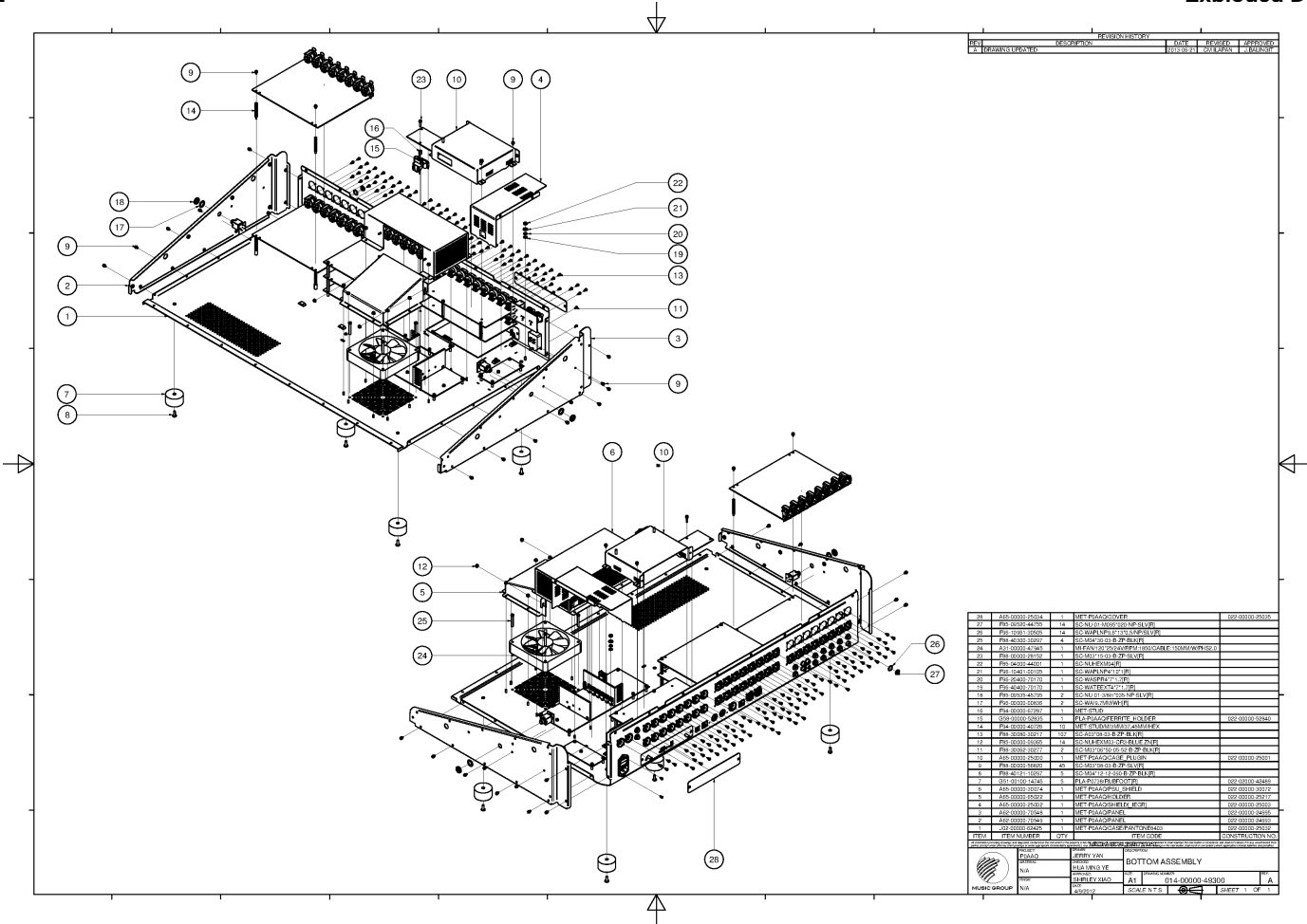
REVISION HISTORY				
REV	DESCRIPTION	DATE	REVISED	APPROVED
A	DRAWING UPDATED	2013-06-17	CM ILAPAN	J.BALINGIT

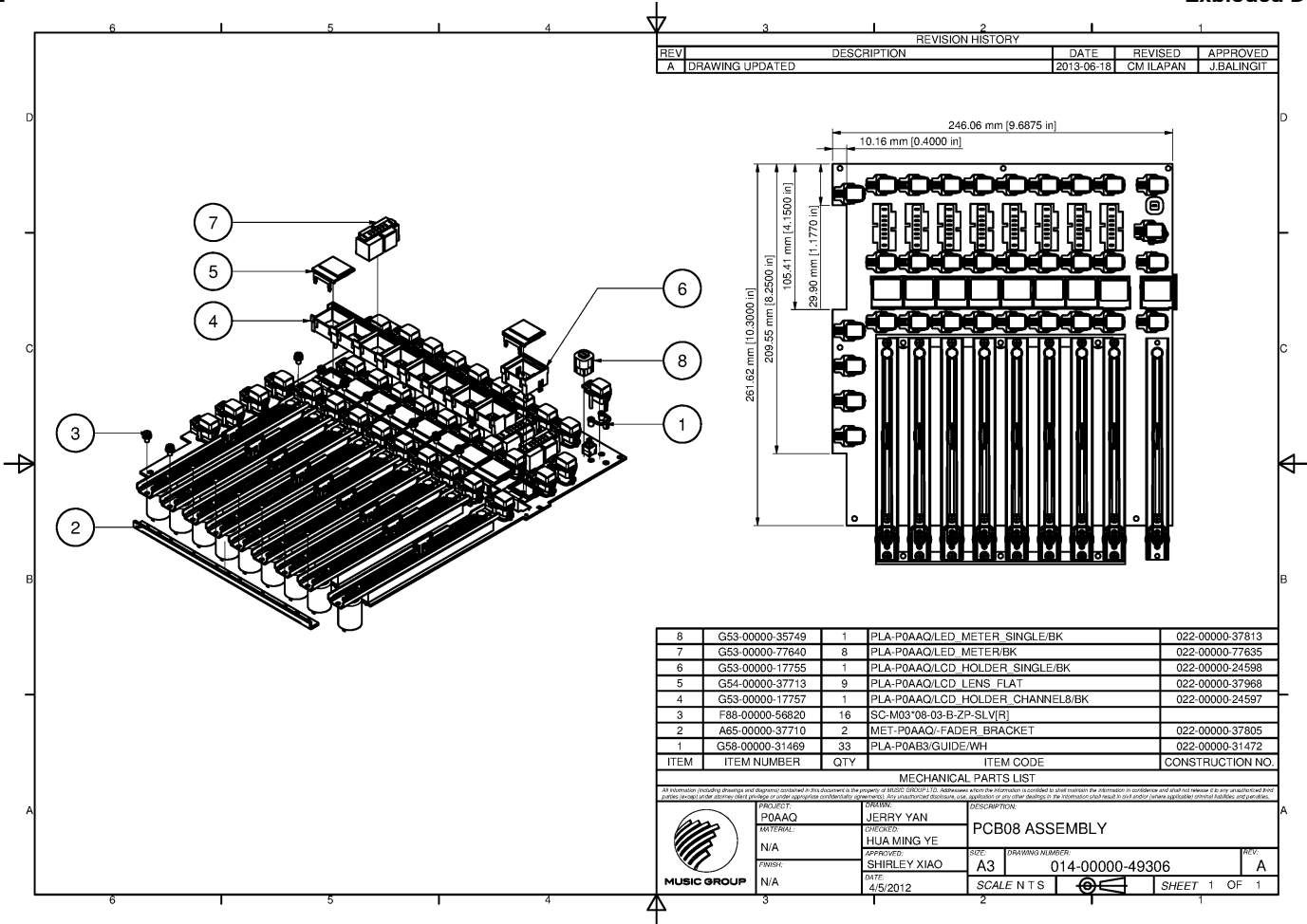
ITEM	ITEM NUMBER	QTY	ITEM CODE	CONSTRUCTION NO.
1	G58-00100-11292	1	PLA-P0784/PUSHKNOB PCBGUIDESMALL(R)	022-02000-40084

**MECHANICAL PARTS LIST**

All information (including drawings and diagrams) contained in this document is the property of BEHRINGER GROUP LTD. Addressees whom the information is provided to shall maintain the information in confidence and shall not release it to any unauthorized third parties (except larger distributors and other authorized agents) without the prior written consent of BEHRINGER GROUP LTD. The information shall remain the property of BEHRINGER GROUP LTD. and its subsidiaries.

	PROJECT: P0AAQ	DRAWN: JERRY YAN	DESCRIPTION: PCB12 ASSEMBLY
	MATERIAL: N/A	DESIGNED: HUA MING YE	
	APPROVED: SHIRLEY XIAO	SIZE: A3	DRAWING NUMBER: 014-00000-49310
	FINISH: N/A	DATE: 4/5/2012	REV: A
		SCALE: N T S	SHEET 1 OF 1









We Hear You

behringer.com

